



SERVICE PARTS LIST

BUL. 54-06-1505

1/4" PISTOL DRILL

REVISED BUL.
54-06-1504

DATE
FEB '78

Catalog No. 0191

Starting
Serial No. **394-8500**

WIRING INSTRUCTIONS
58-01-0648

Specify Catalog and Serial No. when ordering parts

1700 R.P.M.
3.3 AMPS

FOR CAT. NO. 0191-2
(240V) TOOL USE:

- 22-18-0375 CARBON BRUSH
- 18-16-0050 FIELD
- 16-16-0310 ARMATURE
- 22-64-4200 CORD SET

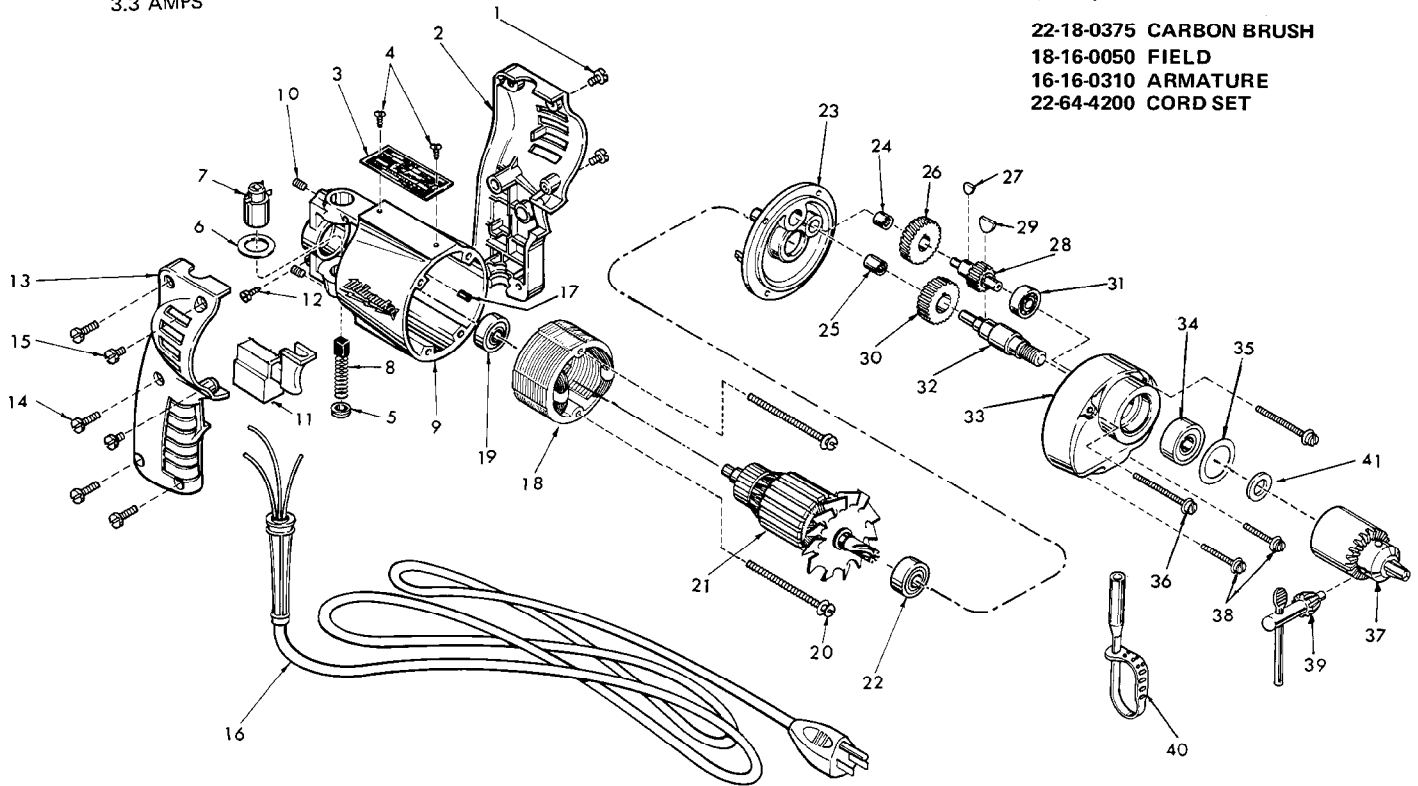


FIG.	PART NO.	DESCRIPTION OF PART	NO. REQ.	FIG.	PART NO.	DESCRIPTION OF PART	NO. REQ.
	1	8-32x3/8 Pan Hd. Screw	(2)		22	02-04-0880 Ball Bearing	(1)
	2	L.H. Handle Half	(1)		23	28-28-0221 Diaphragm	(1)
	3	Nameplate Blank	(1)		24	02-50-1210 Needle Bearing	(1)
	4	06-85-0200 Nameplate Screw	(2)		25	02-50-1640 Needle Bearing	(1)
	5	23-44-0020 Brush Retaining Cap	(2)		26	32-40-1041 Intermediate Gear	(1)
	6	23-86-0105 Insulating Washer	(2)		27	06-42-0400 Woodruff Key	(1)
	7	22-22-1251 Brush Holder Assy.	(2)		28	36-66-3701 Intermediate Pinion Shaft	(1)
	8	22-18-0155 Carbon Brush Assy.	(2)		29	06-42-0800 Woodruff Key	(1)
	9	28-50-6091 Motor Housing (Incl. Fig. No. 17)	(1)		30	32-75-2381 Spindle Gear	(1)
	10	06-83-2430 10-32x1 1/4 Soc. Hd. Set Screw	(2)		31	02-04-0640 Ball Bearing	(1)
	11	23-66-0515 Switch	(1)		32	38-50-1051 Spindle	(1)
	12	06-81-8625 Ground Screw	(1)		33	28-14-0363 Gear Case	(1)
	13	31-44-0610 R.H. Handle Half	(1)		34	02-04-1020 Ball Bearing	(1)
	14	06-81-0402 8-32x3/4 Pan Hd. Screw	(4)		35	34-80-1400 Retaining Ring	(1)
	15	06-81-0452 8-32x3/8 Pan Hd. Screw	(2)		36	06-81-6575 8-32x1-5/8 Fil. Hd. Sems	(2)
	16	22-64-0665 Cord Set	(1)		37	48-66-0260 Chuck	(1)
	17	45-30-0120 Ball Bearing Ret. Slug	(1)		38	06-81-6350 8-32x1 Fil. Hd. Sems	(2)
★	18	18-10-0050 Field	(1)		39	48-66-3200 Chuck Key	(1)
	19	02-04-0740 Ball Bearing	(1)		40	48-66-4080 Key Holder	(1)
★	20	06-81-5935 6-32x1-3/4 Fil. Hd. Screw	(2)		41	45-88-0080 Chuck Washer	(1)
★	21	16-10-0310 Armature Assy.	(1)		42	12-98-7081 Caution Plate (Not Shown)	(1)