



# SERVICE PARTS LIST

BUL. 54-06-1602

5/16" PISTOL DRILL

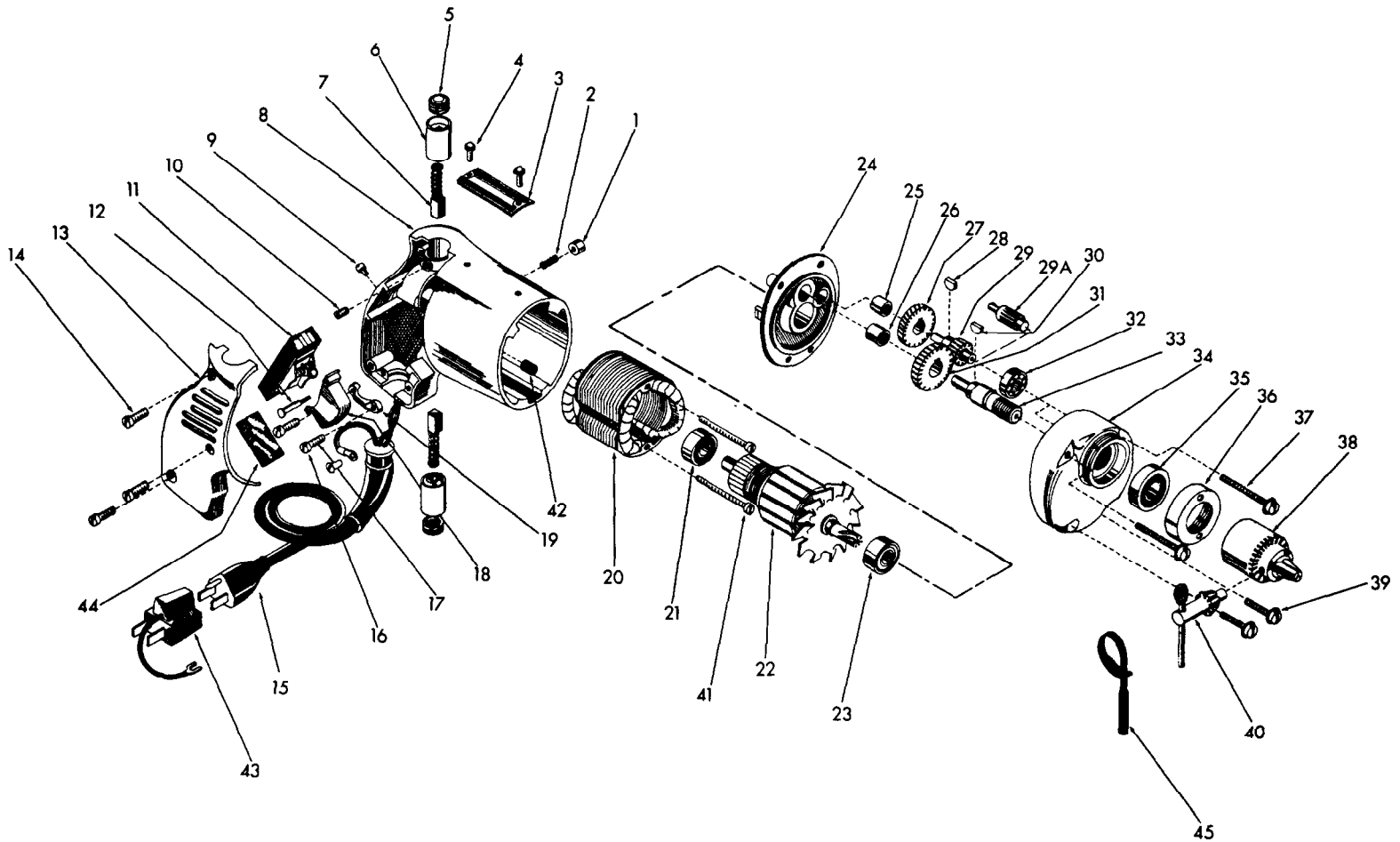
REVISED BUL. 689-3 DATE FEB. '68

Catalog No. 0200

Starting Serial No. 89-3548

WIRING INSTR.

Both Model and Serial No. must be furnished to obtain correct parts.



### ILLUSTRATED PARTS

FIG.	PART NO.	DESCRIPTION OF PART	NO.REQ.	FIG.	PART NO.	DESCRIPTION OF PART	NO.REQ.
1	42-42-0061	Trigger Lock Button		23	02-04-0740	Armature Ball Bearing (Pinion End)	
2	40-50-1200	Trigger Lock Spring		24	28-28-0221	Diaphragm	
3	12-98-0600	Name Plate		25	02-50-1210	Needle Bearing	
4	06-81-4300	3-48x3/16 Rd.Hd.Name Plate Scr. (2)	(2)	26	02-50-1640	Needle Bearing	
5	23-44-0020	Brush Retaining Cap	(2)	27	32-40-1121	Intermediate Gear	
6	22-22-0050	Brush Holder Assy.	(2)	28	06-42-0400	No. 201 Woodruff Key	
7	22-18-0090	Carbon Brush Assy.	(2)	29	36-66-1551	Intermediate Pinion Shaft	
8	28-50-4447	Motor Housing		29A		Not Used On This Tool	
9	06-81-5800	6-32x5/16 Fil.Hd. Sems Switch Mtg. Scr.		30	06-42-0800	Woodruff Key	
10	06-83-0100	10-32x1/4 Hd'less Slotted Br. Hd. Scr. (2)	(2)	31	32-75-1361	Spindle Gear	
11	23-66-0280	Switch		32	02-04-0640	Intermediate Shaft Ball Bearing	
12	44-70-0071	Trigger Lock Shaft		33	38-50-1051	Spindle	
13	28-20-3002	Handle Cover		34	28-14-0361	Gear Case	
14	06-81-6150	8-32x1/2 Fil.Hd.Sems Handle Cover Sr.(3)	(3)	35	02-04-1020	Ball Bearing	
15	22-64-0170	Cord Set		36	42-52-0060	Bearing Cap	
16	06-81-6150	8-32x1/2 Fil.Hd. Sems Cord Clamp Scr. (2)	(2)	37	06-81-6550	8-32x1/2 Fil. Hd. Sems Gear Case Scr. (2)	(2)
17	06-81-8625	6-32x1/4 (Brass) Rd. Hd. Ground Scr.		38	48-66-0500	Chuck	
★18	31-92-0101	Switch Trigger		39	06-81-6300	8-32x7/8 Fil.Hd. Sems Gear Case Scr. (2)	(2)
19	28-17-0400	Cord Clamp		40	48-66-3240	Chuck Key	
20	18-22-1040	Field		41	06-81-5950	6-32 x 1-7/8 Fil. Hd. Field Screws (2)	(2)
21	02-04-0740	Armature Ball Bearing (Comm. End)		42	45-30-0060	Ball Bearing Ret. Slug	
22	16-22-1110	Armature Assy.		43	48-03-0010	Attachment Plug Adaptor	
				44	23-16-0265	Switch Insulator	
				45	48-66-4040	Key Holder	