



SERVICE PARTS LIST

BUL. 54-06-1603

5/16" PISTOL DRILL

REVISED BUL. 54-06-1603 DATE Aug. '70

Catalog No. 0200

Starting Serial No. 89-7323

WIRING INSTR. 58-01-0010

Both Model and Serial No. must be furnished to obtain correct parts.

230V MOTOR 16-26-1100 Armature 18-26-1030 Field

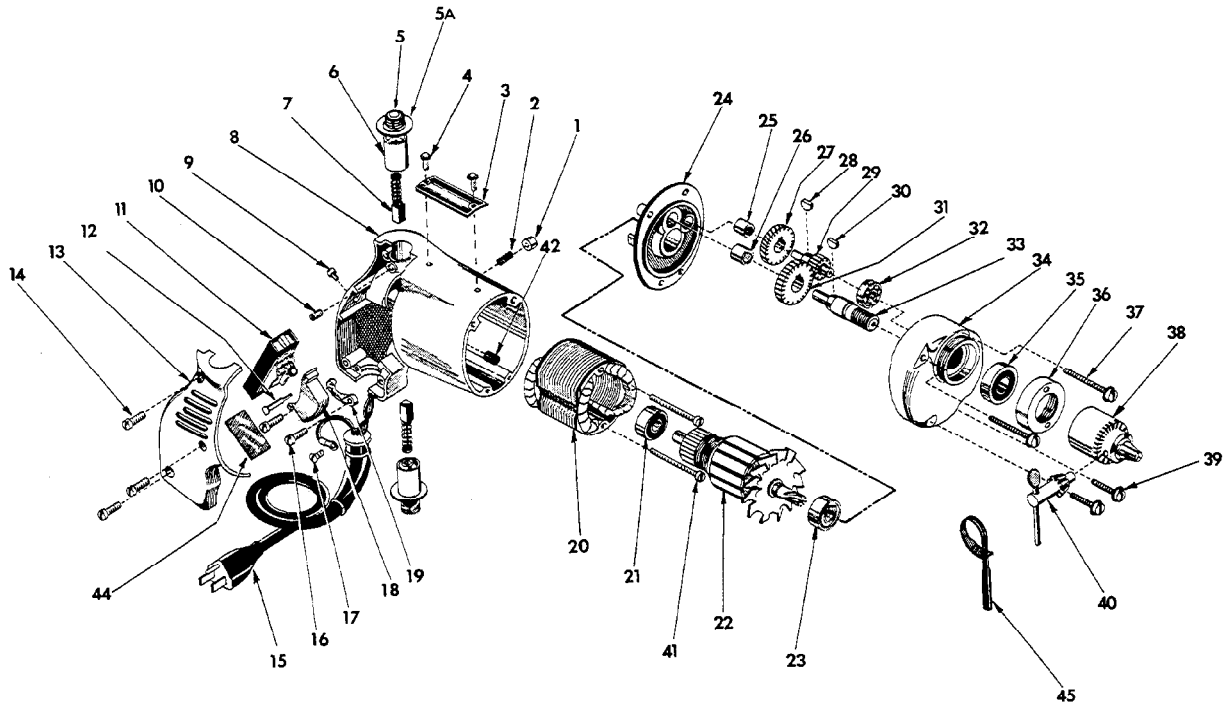


FIG.	PART NO.	DESCRIPTION OF PART	NO. REQ.	FIG.	PART NO.	DESCRIPTION OF PART	NO. REQ.
	1	42-42-0061 Trigger Lock Button		23	02-04-0740	Armature Ball Bearing (pinion end)	
	2	40-50-1200 Trigger Lock Spring		24	28-28-0221	Diagram	
	3	12-98-0600 Name Plate		25	02-50-1210	Needle Bearing	
★	4	06-85-0200 Name Plate Screw	(2)	26	02-50-1640	Needle Bearing	
	5	23-44-0020 Brush Retaining Cap	(2)	27	32-40-1121	Intermediate Gear	
★5A	23-86-0070	Insulating Washer	(2)	28	06-42-0400	Woodruff Key	
	6	22-22-0050 Brush Holder Assy.	(2)	29	36-66-1551	Intermediate Pinion Shaft	
	7	22-18-0090 Carbon Brush Assy.	(2)	30	06-42-0800	Woodruff Key	
★8	28-50-4447	Motor Housing (incl. item 1,2,12,13,14 & 42)		31	32-75-1361	Spindle Gear	
	9	06-81-5800 6-32x5/16 Fil. Hd. Switch Mtg. Scr.		32	02-04-0640	Intermediate Shaft Ball Bearing	
★10	06-83-2430	10-32x1/4 Skt. Hd. Set Screw	(2)	33	38-50-1051	Spindle	
	11	23-66-0280 Switch		34	28-14-0361	Gear Case	
★	06-97-1800	Switch Lock Washer (not shown)	(4)	35	02-04-1020	Ball Bearing	
	12	44-70-0071 Trigger Lock Shaft		36	42-52-0060	Bearing Cap	
	13	28-20-3002 Handle Cover		37	06-81-6550	8-32x1-1/2 Fil. Hd. Gear Case Scr.	(2)
	14	06-81-6150 8-32x1/2 Fil. Hd. Handle Cover Scr.	(3)	38	48-66-0500	Chuck	
	15	22-64-0170 Cord Set		39	06-81-6300	8-32x7/8 Fil. Hd. Gear Case Scr.	(2)
	16	06-81-6150 8-32x1/2 Fil. Hd. Cord Clamp Scr.	(2)	40	48-66-3240	Chuck Key	
	17	06-81-8625 Ground Screw		41	06-81-5950	6-32x1-7/8 Fil. Hd. Field Scr.	(2)
★18	31-92-0102	Switch Trigger		42	45-30-0060	Ball Bearing Ret. Slug	
	19	28-17-0400 Cord Clamp		44	23-16-0265	Switch Insulator	
	20	18-22-1030 Field		45	48-66-4040	Key Holder	
	21	02-04-0740 Armature Ball Bearing (comm. end)					
	22	16-22-1110 Armature Assy.					