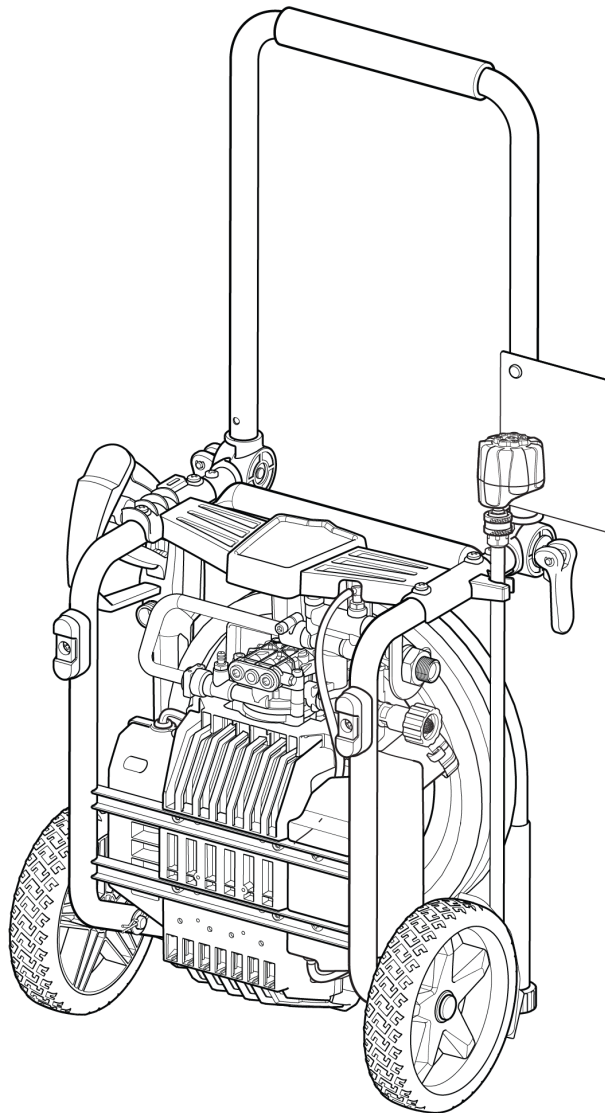




Parts Manual

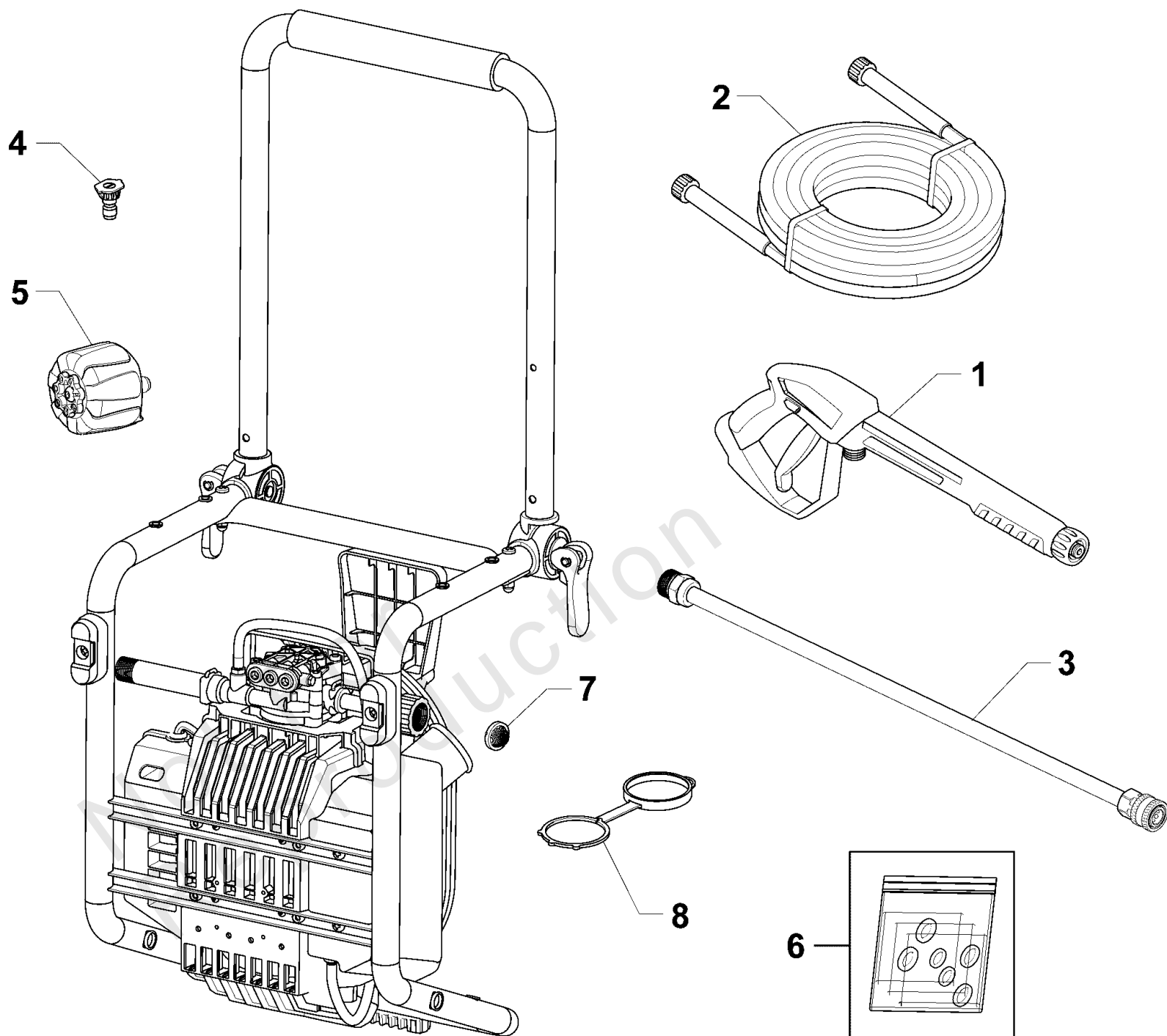
Mfg. No: 020667V-00
2,000 PSI Briggs & Stratton



Main Unit (80103262)

Note: Unless noted otherwise, use the standard torque specifications

Mfg. No: 020667V-00



Main Unit (80103262)

REF NO	PART NO	QTY	DESCRIPTION
1	84007095	1	GUN
2	700284	1	HOSE
3	706595	1	EXTENSION, QC
4	707974	1	NOZZLE
5	84007225	1	NOZZLE
6	705001	1	KIT-O-RING MAINTENANCE
7	706821	1	FILTER-GARDEN HOSE
8	706583	1	CAP
--	316391GS		DECAL-TANK WARNING -(Not Illustrated)
--	707211		DECAL-CORD WARNING -(Not Illustrated)
--	6039		PUMP Saver -(Optional Accessory)
--	6059		PERFECT MIX MULTI-PURPOSE WASH -(Optional Accessory)
--	6160		Project Pro® PerfectMix Concrete, Brick, And Tile Cleaner -(Optional Accessory)

