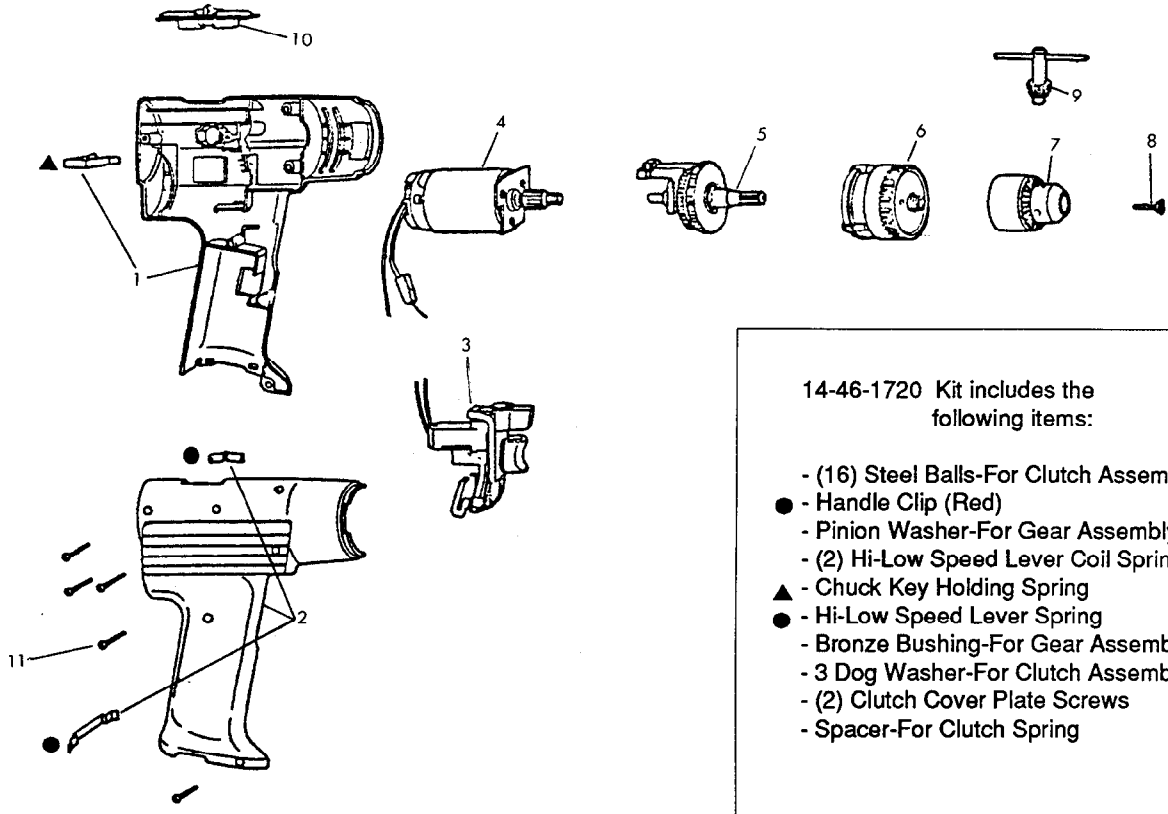




# SERVICE PARTS LIST

BULLETIN NO.  
54-06-0590

SPECIFY CATALOG NO. AND SERIAL NO. WHEN ORDERING PARTS		REVISED BULLETIN	DATE Dec.'87
<b>3/8" CORDLESS DRILL &amp; DRIVER</b>			
CATALOG NO. 0210-1	STARTING SERIAL NO. 588-1001	WIRING INSTRUCTION	



14-46-1720 Kit includes the following items:

- (16) Steel Balls-For Clutch Assembly
- - Handle Clip (Red)
- Pinion Washer-For Gear Assembly
- (2) Hi-Low Speed Lever Coil Springs
- ▲ - Chuck Key Holding Spring
- - Hi-Low Speed Lever Spring
- Bronze Bushing-For Gear Assembly
- 3 Dog Washer-For Clutch Assembly
- (2) Clutch Cover Plate Screws
- Spacer-For Clutch Spring

▲=Included w/Left Housing  
●=Included w/Right Housing

FIG.	PART NO.	DESCRIPTION OF PART	NO. REQ.
1	31-50-0470	▲ Left Housing	(1)
2	31-50-0465	● Right Housing	(1)
3	23-66-1380	Switch Assembly	(1)
4	14-50-0290	Motor w/Thermal Switch	(1)
5	32-48-0030	Gear Assembly	(1)
6	14-08-0130	Clutch Assembly	(1)
7	48-66-0817	3/8" Chuck	(1)
8	45-04-0690	Chuck Retaining Screw	(1)
9	48-66-3350	Chuck Key	(1)
10	44-10-0170	Gear Change Lever w/Two Springs	(1)
11	05-81-0419	Housing Screw	(6)
	48-11-0080	9.6 Volt Battery Pack	(1)
	48-59-0160	Battery Charger-	
		Refer to Bulletin No. 54-04-0100	(1)