



SERVICE PARTS LIST

BUL. 54-06-2003

3/8" PISTOL DRILL

REVISED BUL. DATE
54-06-2003 Aug. '70

Catalog No. 0220

Starting
Serial No. **88-40538**

WIRING INSTR.
58-01-0010

Both Model and Serial No. must be furnished to obtain correct parts.

230V MOTOR 16-26-1100 Armature 18-26-1030 Field

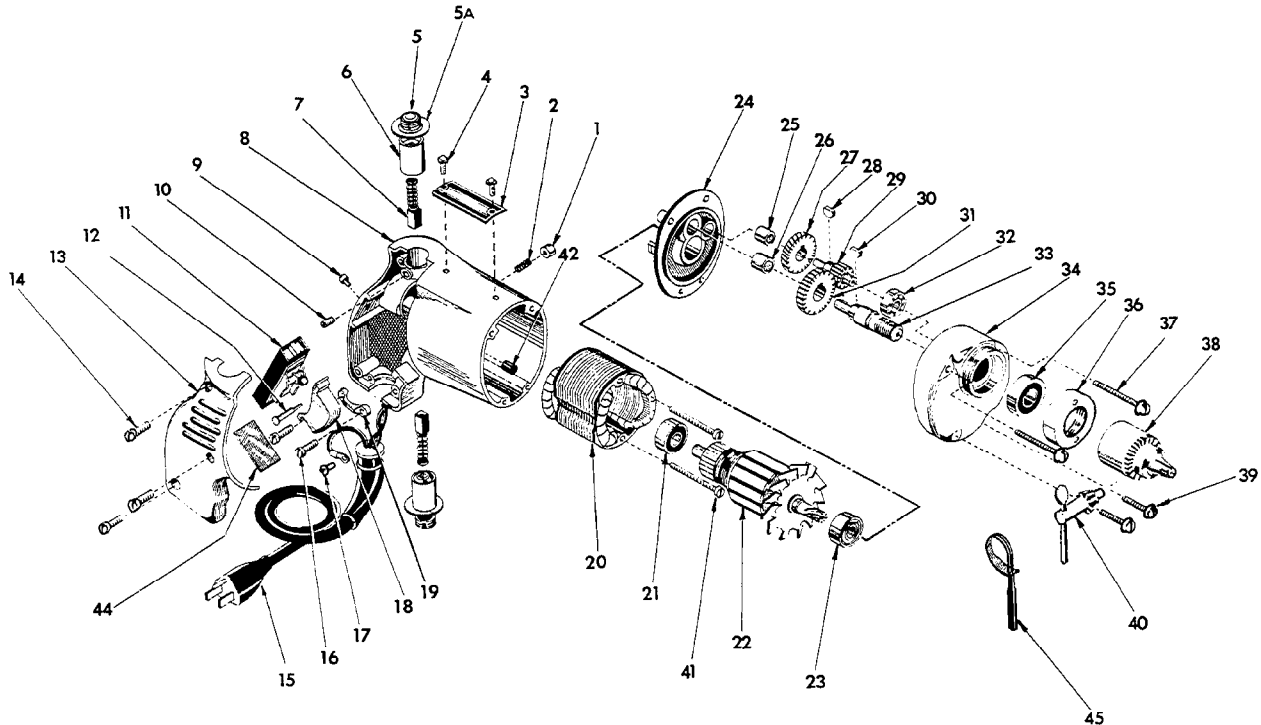


FIG.	PART NO.	DESCRIPTION OF PART	NO. REQ.	FIG.	PART NO.	DESCRIPTION OF PART	NO. REQ.
	1	42-42-0061			23	02-04-0740	Armature Ball Bearing (pinion end)
	2	40-50-1200			24	28-28-0221	Diaphragm
	3	12-98-0600			25	02-50-1210	Needle Bearing
*	4	06-85-0200	(2)		26	02-50-1640	Needle Bearing
	5	23-44-0020	(2)		27	32-40-1121	Intermediate Gear
*5A	23-86-0070	Brush Retaining Cap	(2)		28	06-42-0400	Woodruff Key
	6	22-22-0050	(2)		29	36-66-0851	Intermediate Pinion Shaft
	7	22-18-0090	(2)		30	06-42-0800	Woodruff Key
*8	28-50-4447	Motor Housing Ass. (incl. item 1, 2, 12, 13, 14 & 42)			31	32-75-1101	Spindle Gear
	9	06-81-5800			32	02-04-0640	Intermediate Shaft Ball Bearing
*10	06-83-2430	10-3 2x1/4 Skt. Hd. Set Screw	(2)		33	38-50-1051	Spindle
	11	23-66-0280			34	28-14-0361	Gear Case
*	06-97-1800	Switch Lock Washer (not shown)	(4)		35	02-04-1020	Ball Bearing
	12	44-70-0071			36	42-52-0060	Bearing Cap
	13	28-20-3002			37	06-81-6550	8-32x 1-1/2 Fil. Hd. Gear Case Scr. (2)
	14	06-81-6150	(3)		38	48-66-0800	Chuck
	15	22-64-0170			39	06-81-6300	8-32x7/8 Fil. Hd. Gear Case Scr. (2)
	16	06-81-6150	(2)		40	48-66-3080	Chuck Key
	17	06-81-8625			41	06-81-5950	6-32x1-7/8 Fil. Hd. Field Scr. (2)
*18	31-92-0102	Switch Trigger			42	45-30-0060	Ball Bearing Ret. Slug
	19	28-17-0400			44	23-16-0265	Cord Clamp
	20	18-22-1030			45	48-66-4040	Key Holder
	21	02-04-0740					
	22	16-22-1110					