



# SERVICE PARTS LIST

**BUL. 54-06-2101**

**3/8" PISTOL DRILL**

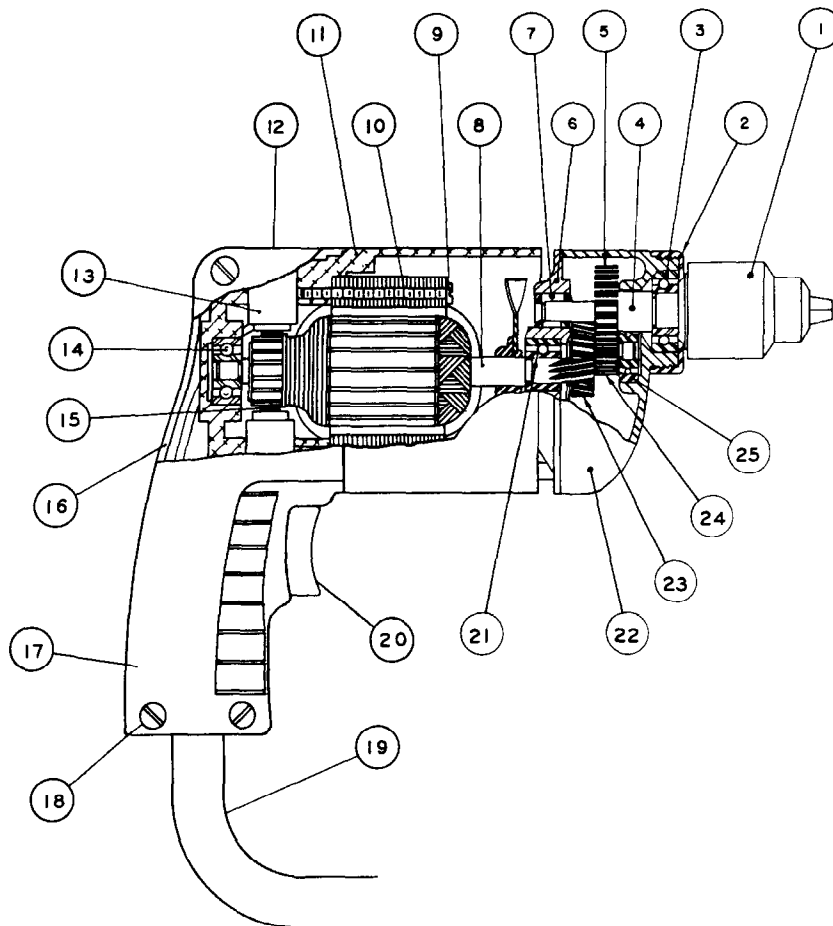
REVISED BUL 6378-2      DATE Feb. '68

**Catalog No. 0221**

Starting Serial No. **378-3501**

WIRING INSTR. **58-01-0050**

Both Model and Serial No. must be furnished to obtain correct parts.



ILLUSTRATED PARTS

FIG.	PART NO.	DESCRIPTION OF PART	FIG.	PART NO.	DESCRIPTION OF PART
1	48-66-0800	Chuck	14	02-04-0740	Ball Bearing
2	42-52-0060	Bearing Cap	15	22-18-0360	Carbon Brush Assembly (2)
3	02-04-1020	Ball Bearing	16	31-44-0111	Left Hand Handle Half
4	38-50-1051	Spindle	17	31-44-0100	Right Hand Handle Half
5	32-75-1101	Spindle Gear	18	06-81-3650	8-32x3/4" Oval Hd. Handle Screw (4)
6	28-28-0221	Diaphragm	19	22-64-0450	Cord Set
7	02-50-1640	Needle Bearing	20	23-66-0510	Switch
8	16-22-1241	Armature	21	02-04-0740	Ball Bearing (Pinion End)
9	06-81-5950	6-32x1-7/8" Fil. Hd. Field Screw (2)	22	28-14-0361	Gear Case
10	18-22-1121	Field Assembly	23	32-40-1121	Intermediate Gear
11	28-50-6091	Motor Housing	24	36-66-0851	Intermediate Pinion Shaft
12	23-44-0020	Brush Retaining Cap (2)	25	02-04-0640	Ball Bearing
13	22-22-0251	Brush Holder Assembly (2)			

MISCELLANEOUS PARTS NOT SHOWN

PART NO.	DESCRIPTION OF PART	PART NO.	DESCRIPTION OF PART
06-83-0100	10-32x1/4" Hd'less Slotted Brush Holder Sc. (2)	02-50-1210	Needle Bearing
06-42-0400	Woodruff Key	48-03-0010	Attachment Plug Adapter
06-81-8625	6-32x1/4" Rd. Hd. Sems Ground Screw	06-81-6550	8-32x1 1/2" Fil. Hd. Sems Gear Case Scr. (2)
06-81-6300	8-32x7/8" Fil. Hd. Sems Gear Case Screw (2)	12-98-0600	Name Plate
06-42-0800	Woodruff Key	48-66-3080	Chuck Key
45-30-0120	Ball Bearing Retaining Slug	06-81-4300	3-48x3/16" Rd. Hd. Name Plate Screws (2)
06-81-3600	8-32x3/8" Oval Hd. Handle Mtg. Screw (4)	48-66-4040	Key Holder