



# SERVICE PARTS LIST

**BUL. 54-06-2305**

**3/8" REV. SPEED CONTROL DRILL**

REVISED BUL.  
54-06-2304

DATE  
FEB '78

**Catalog No. 0222-1**

Starting  
Serial No. **430-209100**

WIRING INSTRUCTIONS  
**58-01-0647**

Specify Catalog and Serial No. when ordering parts

0-1000 R.P.M.  
3.3 AMPS

FOR CAT. NO. 0222-3  
(240V) TOOL USE:

- 22-18-0375 CARBON BRUSH
- 18-16-0050 FIELD
- 16-16-0320 ARMATURE
- 23-66-0793 SWITCH
- 22-64-4200 CORD SET

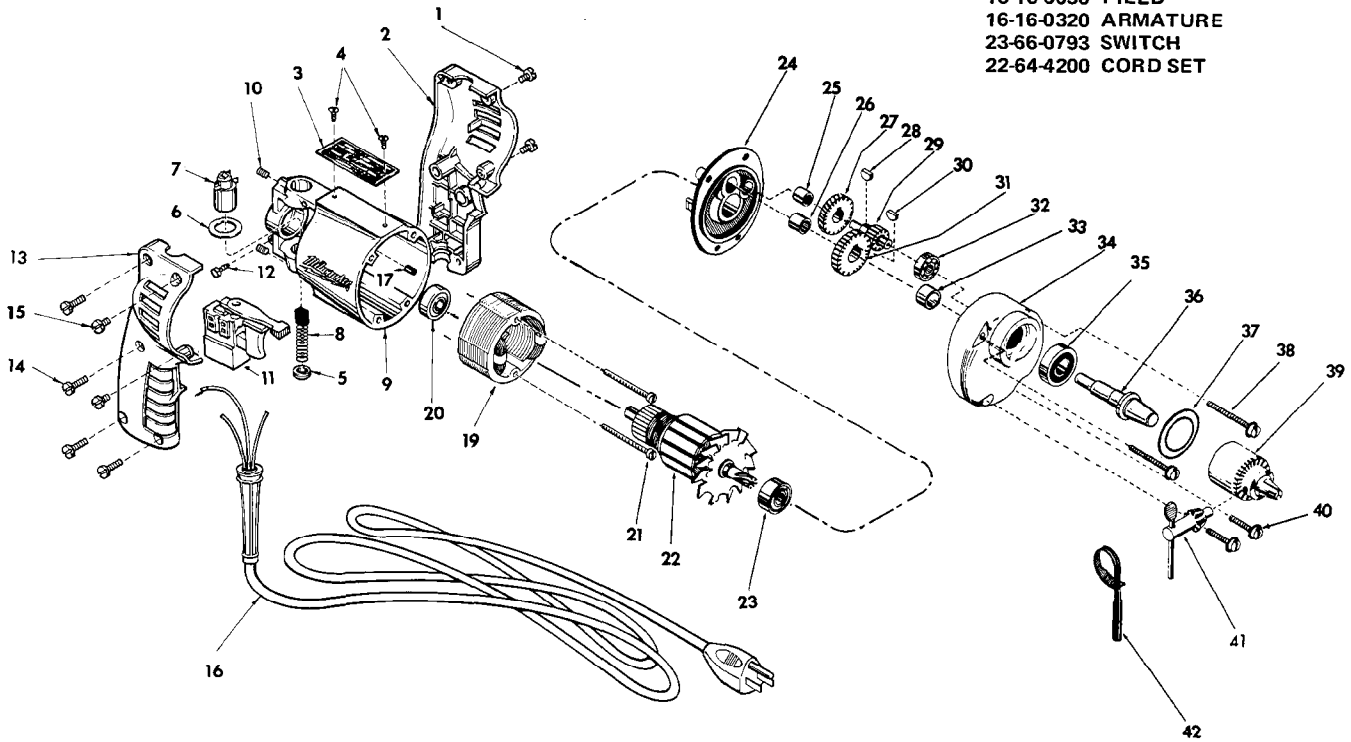


FIG.	PART NO.	DESCRIPTION OF PART	NO. REQ.	FIG.	PART NO.	DESCRIPTION OF PART	NO. REQ.
	1	06-81-0452 8-32x3/8 Pan Hd. Screw	(2)	23	02-04-0740	Ball Bearing	(1)
	2	31-44-0620 L.H. Handle Half	(1)	24	28-28-0221	Diaphragm	(1)
	3	12-99-0020 Nameplate Blank	(1)	25	02-50-1210	Needle Bearing	(1)
	4	06-85-0200 Nameplate Screw	(2)	26	02-50-1640	Needle Bearing	(1)
	5	23-44-0020 Brush Retaining Cap	(2)	27	32-40-1121	Intermediate Gear	(1)
	6	23-86-0105 Insulating Washer	(2)	28	06-42-0400	Woodruff Key	(1)
	7	22-22-1251 Brush Holder Assy.	(2)	29	36-66-1551	Intermediate Pinion Shaft	(1)
	8	22-18-0155 Carbon Brush Assy.	(2)	30	06-42-0400	Woodruff Key	(1)
	9	28-50-6091 Motor Housing (Incl. Fig. No. 17)	(1)	31	32-75-2721	Spindle Gear	(1)
	10	06-83-2430 10-32x1/4 Soc. Hd. Set Screw	(2)	32	02-04-0640	Ball Bearing	(1)
	11	23-66-0792 Rev. Speed Control Switch	(1)	33	45-36-0651	Spindle Spacer	(1)
	12	06-81-8625 Ground Screw	(1)	34	28-14-0363	Gear Case	(1)
	13	31-44-0610 R.H. Handle Half	(1)	35	02-04-1020	Ball Bearing	(1)
	14	06-81-0402 8-32x3/4 Pan Hd. Screw	(4)	36	38-50-5051	Spindle	(1)
	15	06-81-0452 8-32x3/8 Pan Hd. Screw	(2)	37	34-80-1400	Retaining Ring	(1)
	16	22-64-0665 Cord Set	(1)	38	06-81-6575	8-32x1-5/8 Fil. Hd. Sems	(2)
	17	45-30-0120 Ball Bearing Ret. Slug	(1)	39	48-66-0240	Chuck	(1)
★	19	18-10-0050 Field	(1)	40	06-81-6350	8-32x1 Fil. Hd. Sems	(2)
	20	02-04-0740 Ball Bearing	(1)	41	48-66-3080	Chuck Key	(1)
★	21	06-81-5935 6-32x1-3/4 Fil. Hd. Field Screw	(2)	42	48-66-4040	Key Holder	(1)
★	22	16-10-0320 Armature Assy.	(1)	43	12-98-7081	Caution Plate (Not Shown)	(1)