



SERVICE PARTS LIST

BULLETIN NO.
54-06-2310

SPECIFY CATALOG NO. AND SERIAL NO. WHEN ORDERING PARTS		REVISED BULLETIN	DATE
3/8" T.S.C. REV. HOLE-SHOOTER		54-06-2309	May'93
CATALOG NO. 0222-1	STARTING SERIAL NO. 430-1151500 or 430A	WIRING INSTRUCTION 58-01-0023	

EXAMPLE:
Component Parts (Small #)
Are Included When Ordering
The Assembly (Large #).

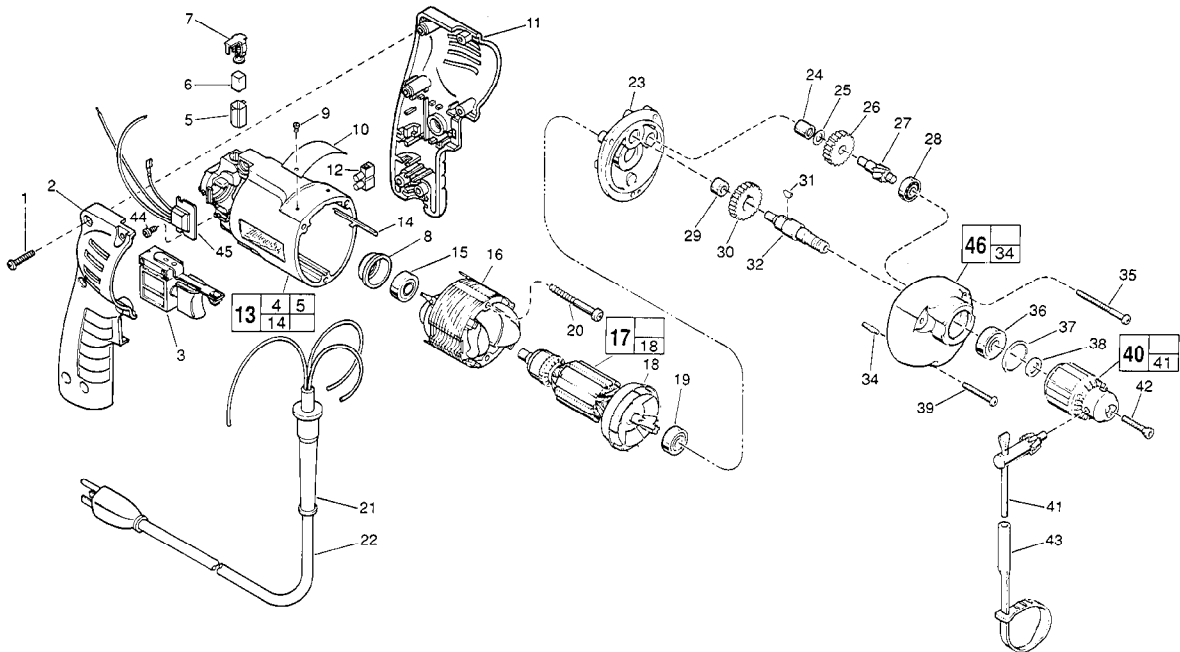


FIG. PART NO.	DESCRIPTION OF PART	NO. REQ.	FIG. PART NO.	DESCRIPTION OF PART	NO. REQ.		
1	06-82-7284	8-16 x 3/4" Pan Hd. Slit. Plast. T-20	(6)	31	06-42-0800	Woodruff Key	(1)
★ 2	31-44-1745	Right Handle Half	(1)	32	38-50-5660	Reversing Spindle	(1)
★ 3	23-66-2145	Speed Control Switch	(1)	34	06-65-0825	1/8 x 1/2" Groove Pin 5	(1)
4	23-94-6225	Ground Wire Assembly (Not Shown)	(1)	35	06-82-7368	7-18 x 1-3/4" Pan Hd. Slit. Plast. T-20	(2)
★ 5	22-20-0830	Brush Tube	(2)	36	02-04-1020	Ball Bearing	(1)
6	22-16-0275	Carbon Brush	(2)	37	34-80-1400	Retaining Ring	(1)
7	23-52-1560	Brush Spring Assembly	(2)	38	45-88-7940	Chuck Washer	(1)
8	22-72-0100	Bearing Cup	(1)	39	06-82-7308	7 -18x 1-1/8" Pan Hd. Slit. Plast. T-20	(1)
9	06-85-0200	Nameplate Screw	(2)	40	48-66-0805	3/8" Chuck	(1)
10	12-99-0850	Service Nameplate	(1)	41	48-66-3080	Chuck Key	(1)
★ 11	31-44-1740	Left Handle Half	(1)	42	45-04-0750	Chuck Screw - L.H. Thread	(1)
12	22-56-0456	Terminal Block	(1)	43	48-66-4040	Key Holder	(1)
★ 13	14-38-0600	Motor Housing Assembly	(1)	44	06-82-7212	4-20 x 1/4" Pan Hd. Slit. Plast. T-10	(1)
14	44-60-0530	Ground Pin	(1)	★ 45	14-20-0650	Remote Electronic Assembly	(1)
15	02-04-0645	Ball Bearing	(1)	46	14-30-0620	Gear Case Assembly	(1)
16	18-11-0060	120 Volt Field	(1)				
17	16-10-0470	120 Volt D.I. Armature	(1)				
18	22-84-0760	Fan Assembly	(1)				
19	02-04-0847	Ball Bearing	(1)				
20	06-82-7393	7-18 x 2" Pan Hd. Slit. Plast. T-20	(2)				
21	44-76-0210	Cord Protector	(1)				
★ 22	22-64-1120	Cord Set	(1)				
23	28-28-1940	Diaphragm	(1)				
24	02-50-1210	Needle Bearing	(1)				
25	45-88-7301	Heat Treated Washer	(1)				
26	32-40-1950	Intermediate Gear	(1)				
27	36-66-4380	Intermediate Pinion Shaft	(1)				
28	02-04-0640	Ball Bearing	(1)				
29	02-50-1620	Needle Bearing	(1)				
30	32-75-3230	Spindle Gear	(1)				

FIG. LUBRICATION
46 1-1/2 Oz. Type "E" Grease, No. 49-08-4122. Place Near Intermediate Shaft Ball Bearing In Gear Case.

FIG. NOTES
1 Torque to 18-22 In./Lbs.
20, 35, 39 Torque to 15-20 In./Lbs.
42 Torque to 30-35 In./Lbs.
44 Torque to 3-5 In./Lbs.
8 Place in motor housing before inserting armature.
24,29 Press flush to casting surface.
15,19 Seal towards armature.
36 Seal towards chuck.

MILWAUKEE ELECTRIC TOOL CORPORATION
13135 W. LISBON RD., BROOKFIELD, WI 53005