



SERVICE PARTS LIST

BULLETIN NO.
54-06-0226

SPECIFY CATALOG NO. AND SERIAL NO. WHEN ORDERING PARTS		REVISED BULLETIN 54-06-0225	DATE June '79
3/8" MAGNUM HOLE-SHOOTER			
CATALOG NO. 0224-1	STARTING SERIAL NO. 574-30000	WIRING INSTRUCTION 58-01-0070	

0-1200 R.P.M.
4.5 AMPS

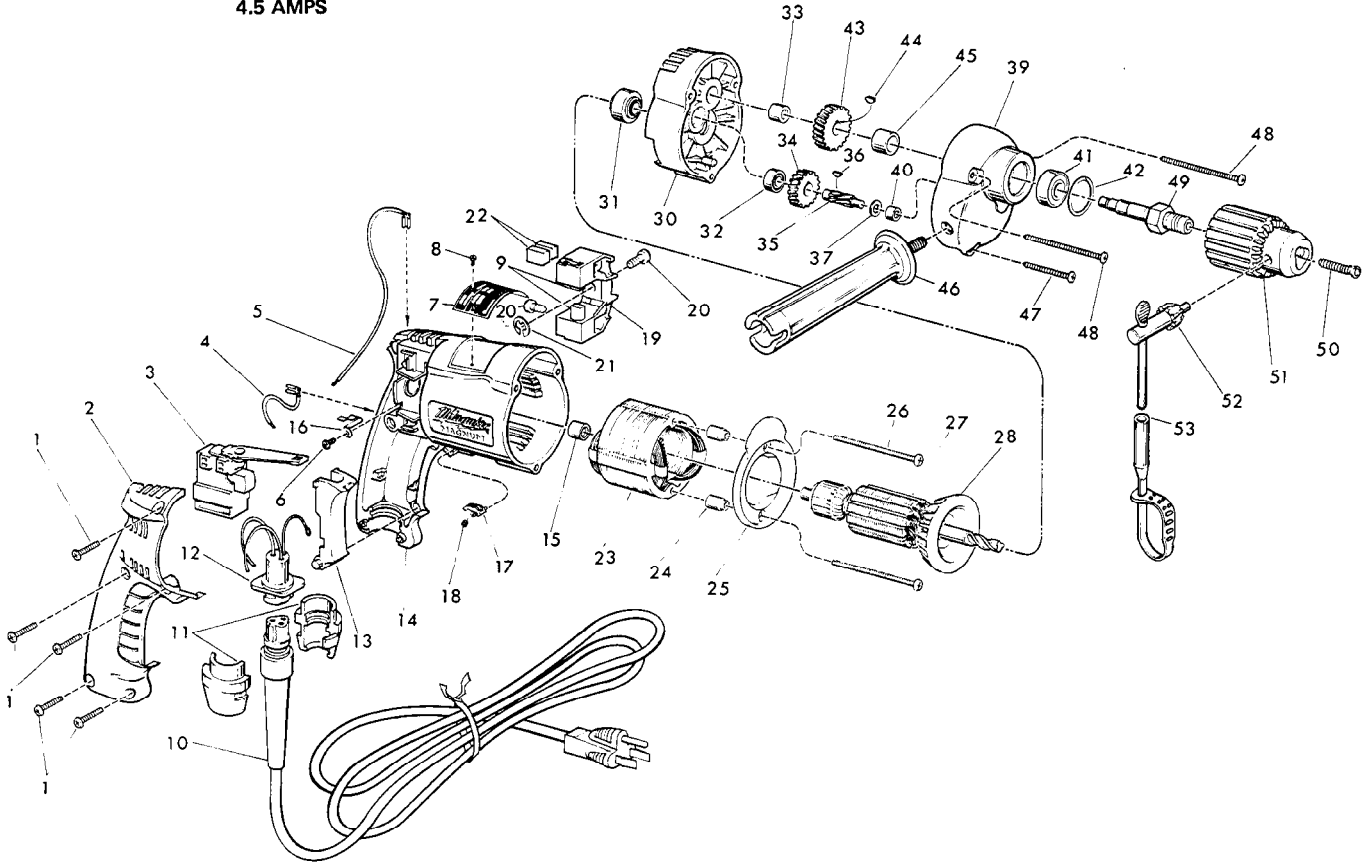


FIG.	PART NO.	DESCRIPTION OF PART	NO. REQ.	FIG.	PART NO.	DESCRIPTION OF PART	NO. REQ.
	1	06-95-0220 8-18x3/4 Pan Hd. Thread Form Screw	(5)	28	22-84-0650	Fan Assembly	(1)
★	2	31-15-0101 Handle Cover	(1)	29	14-13-0300	Diaphragm Assy. (Includes Fig. Nos. 30 thru 33)	(1)
★	3	23-66-0981 Reversing Speed Control Switch	(1)	30	31-20-0025	Diaphragm	(1)
	4	23-94-9625 2-1/4" Lead Assembly	(1)	31	02-04-0885	Ball Bearing	(1)
	5	23-94-9630 7" Lead Assembly	(1)	32	02-08-0215	Ball Bearing	(1)
	6	06-95-5100 6-32x1/4 Phillip Pan Hd. Screw	(1)	33	02-50-1620	Needle Bearing	(1)
★	7	12-99-0071 Nameplate Blank	(1)	34	32-40-1720	Intermediate Gear	(1)
	8	06-85-0200 Nameplate Screw	(2)	35	36-66-4160	Intermediate Pinion	(1)
	9	22-16-0270 Carbon Brush	(2)	36	06-42-0400	Woodruff Key	(1)
	10	48-76-3008 Cord Set (Includes Fig. No. 11)	(1)	37	45-88-7301	Thrust Washer	(1)
	11	44-40-0440 Cord Nut	(2)	38	14-30-0020	Gear Case Assy. (Includes Fig. Nos. 39 thru 42)	(1)
	12	22-56-0300 Pin Housing Assembly	(1)	39	31-40-0025	Gear Case	(1)
	13	45-72-0080 Trigger	(1)	40	02-50-1200	Needle Bearing	(1)
★	14	14-38-0320 Motor Housing Assy. (Includes Fig. Nos. 15 & 16)	(1)	41	02-04-1020	Ball Bearing	(1)
	15	02-50-2025 Needle Thrust Bearing	(1)	42	34-80-1400	Retaining Ring	(1)
	16	23-74-0530 Ground Terminal	(1)	43	32-75-2810	Spindle Gear	(1)
	17	42-42-0150 Lock Button	(1)	44	06-42-0400	Woodruff Key	(1)
	18	40-50-0085 Lock Button Spring	(1)	45	45-36-0815	Spacer	(1)
	19	22-22-0350 Brush Holder Assy. (Includes Fig. Nos. 20 thru 22)	(1)	46	43-62-0600	Side Handle (Optional)	(1)
	20	31-75-0010 Brush Holder Screw	(2)	47	06-95-0250	8-18x1-5/8 Pan Hd. Thread Form Screw	(1)
	21	34-60-0500 1/4" External Retaining Ring	(1)	48	06-95-0270	8-18x2-1/8 Pan Hd. Thread Form Screw	(2)
	22	22-16-0270 Carbon Brush (Spares)	(2)	49	38-50-5080	Spindle	(1)
	23	18-10-0040 120 Volt Field	(1)	50	06-81-2925	1/4-20x1-1/8 L.H. Flat Socket Hd. Screw	(1)
	24	45-36-0810 Baffle Spacer	(2)	51	48-66-0224	3/8" Chuck (Includes Fig. No. 52)	(1)
	25	31-05-0060 Baffle	(1)	52	48-66-3280	Chuck Key	(1)
	26	06-95-0280 8-18x2-3/8 Pan Hd. Thread Form Screw	(2)	53	48-66-4040	Key Holder	(1)
	27	16-10-0215 120 Volt Armature (Includes Fig. No. 28)	(1)	★ 54	10-98-5985	Warning Label (Not Shown)	(1)