



SERVICE PARTS LIST

BULLETIN NO.
54-06-0227

SPECIFY CATALOG NO. AND SERIAL NO. WHEN ORDERING PARTS		REVISED BULLETIN	DATE
3/8" MAGNUM HOLE-SHOOTER		54-06-0226	March '85
CATALOG NO. 0224-1	STARTING SERIAL NO. 574-51000	WIRING INSTRUCTION 58-01-0072	
CAT. NO. 0224-6	START SER. NO. 574-51000	BILINGUAL LABEL 10-98-6400	

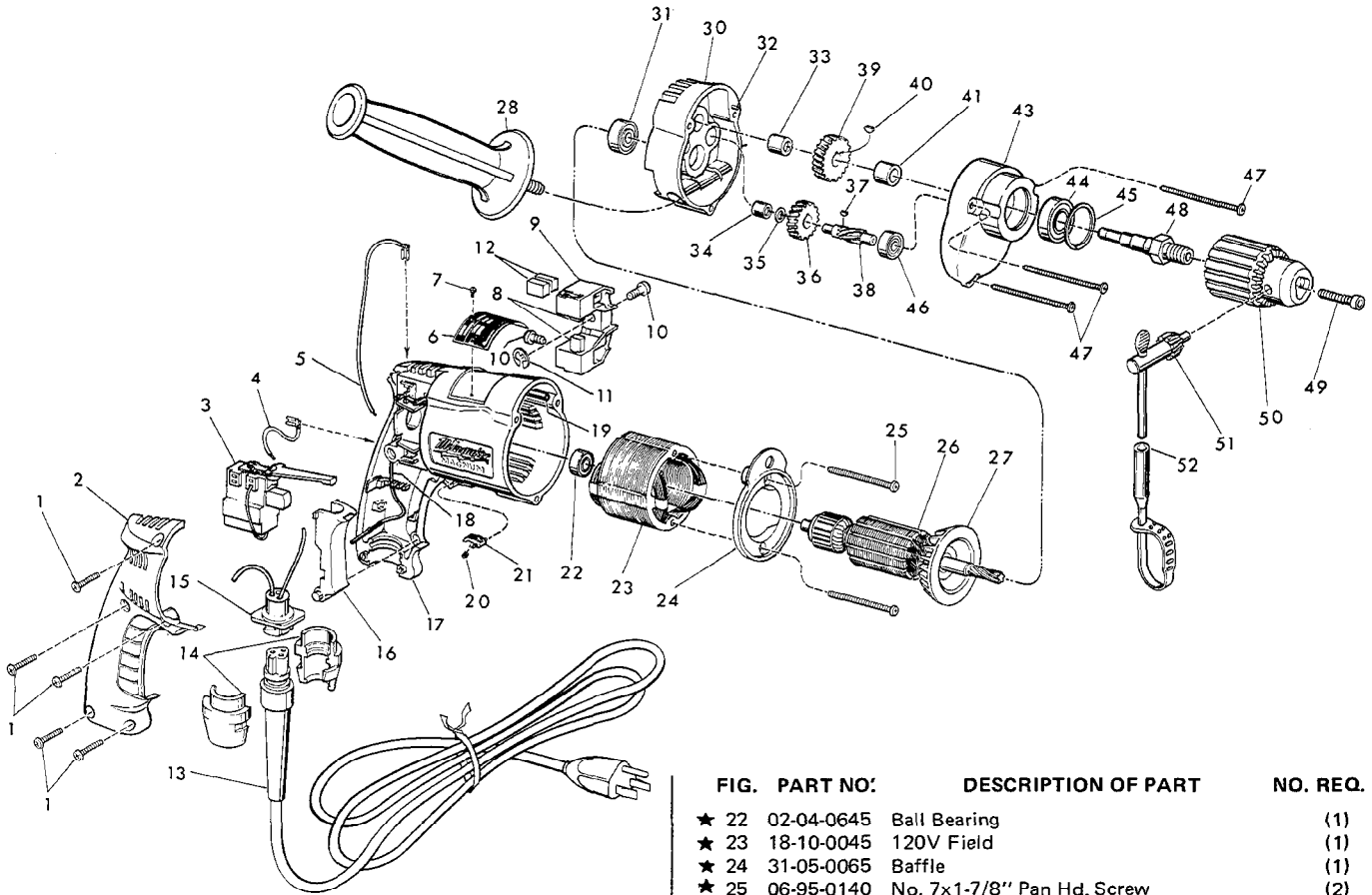


FIG.	PART NO.	DESCRIPTION OF PART	NO. REQ.
	1	06-95-0185 7-1/8 x 11/16 Pan Hd. Plastite Screw	(5)
	2	31-15-0101 Handle Cover	(1)
★	3	23-66-1350 Trigger Speed Control Reversing Switch	(1)
	4	23-94-9635 2-1/4 Lead Assembly	(1)
	5	23-94-9640 7" Lead Assy.	(1)
	6	12-99-0071 Nameplate Blank	(1)
	7	06-85-0200 Nameplate Screw	(2)
	8	22-16-0275 Carbon Brush	(2)
	9	22-22-0350 Brush Holder Assy. (Includes Fig. Nos. 10 thru 12)	(1)
	10	31-75-0011 Brush Holder Screw	(2)
	11	34-60-0500 1/4" Ext. Retaining Ring	(1)
	12	22-16-0275 Carbon Brush (Spares)	(2)
	13	48-76-3008 Cord Set (Includes Fig. No. 14)	(1)
	14	44-40-0440 Cord Nut	(2)
★	15	22-56-0302 Pin Housing Assembly	(1)
	16	45-72-0080 Trigger	(1)
★	17	14-38-0355 Motor Housing Assy. (Includes Fig. Nos. 18 & 19)	(1)
★	18	23-94-9686 Ground Wire Assembly	(1)
★	19	44-60-0570 Grounding Pin	(1)
	20	40-50-0085 Lock Button Spring	(1)
	21	42-42-0150 Lock Button	(1)

FIG.	PART NO.	DESCRIPTION OF PART	NO. REQ.
★	22	02-04-0645 Ball Bearing	(1)
★	23	18-10-0045 120V Field	(1)
★	24	31-05-0065 Baffle	(1)
★	25	06-95-0140 No. 7x1-7/8" Pan Hd. Screw	(2)
★	26	16-10-0500 120V Armature Assy. (Includes Fig. No. 27)	(1)
	27	22-84-0650 Fan Assembly	(1)
★	28	43-62-0885 Side Handle	(1)
★	29	14-13-0350 Diaphragm Assy. (Fig. Nos. 30 thru 34)	(1)
★	30	28-28-1570 Diaphragm	(1)
★	31	02-04-0847 Ball Bearing	(1)
★	32	06-65-0825 1/8x1/2 Groove Pin No. 5	(1)
★	33	02-50-2020 Needle Bearing	(1)
★	34	02-50-1620 Needle Bearing	(1)
★	35	45-88-7721 Heat Treated Washer	(1)
★	36	32-40-1815 Intermediate Gear	(1)
	37	06-42-0400 Woodruff Key	(1)
★	38	36-66-4270 Intermediate Pinion	(1)
★	39	32-75-2950 Spindle Gear	(1)
★	40	06-42-1200 Woodruff Key	(1)
★	41	45-36-1100 Spacer	(1)
★	42	14 30-0335 Gear Case Assy. (Fig. Nos. 43 thru 46)	(1)
★	43	28-14-1800 Gear Case	(1)
★	44	02-04-1230 Ball Bearing	(1)
★	45	34-80-2300 Retaining Ring	(1)
★	46	02-04-0640 Ball Bearing	(1)
★	47	06-95-0150 No. 7x2-3/16" Pan Hd. Screw	(3)
★	48	38-50-5250 Spindle - Double Reduction	(1)
	49	06-81-2925 1/4-20x1-1/8" Flat Hd. Screw - L.H. Thread	(1)
	50	48-66-0224 3/8" Chuck (Includes Fig. No. 51)	(1)
	51	48-66-3280 Chuck Key	(1)
	52	48-66-4040 Key Holder	(1)
★	53	10-98-5987 Caution Label (Not Shown) Omit For Canadian Tools	(1)