

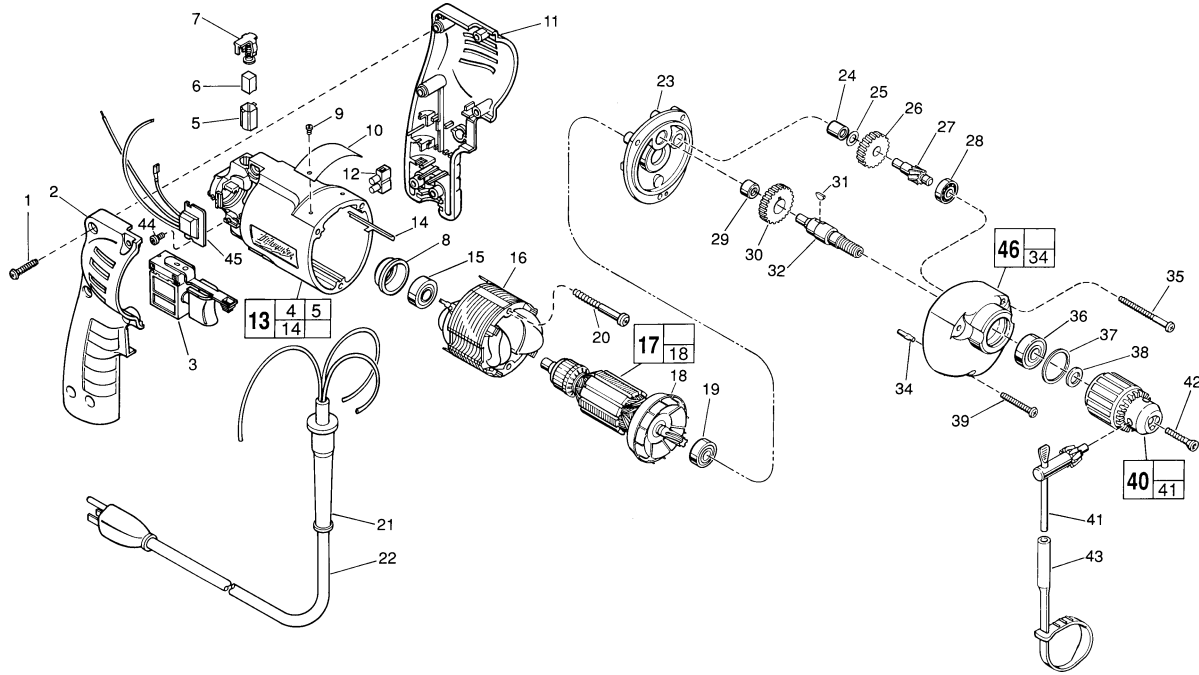


# SERVICE PARTS LIST

**BULLETIN NO.**  
**54-06-0573**

| SPECIFY CATALOG NO. AND SERIAL NO. WHEN ORDERING PARTS |                                       | REVISED BULLETIN                        | DATE    |
|--|---------------------------------------|---|---------|
| <b>3/8" T.S.C. REV. HOLE-SHOOTER</b>                   |                                       | 54-06-0572                              | May '99 |
| <b>CATALOG NO. 0228-1</b>                              | <b>STARTING SERIAL NO. 689-368789</b> | WIRING INSTRUCTION<br><b>58-01-0021</b> |         |

**EXAMPLE:**  
Component Parts (Small #)  
Are Included When Ordering  
The Assembly (Large #).



| FIG. | PART NO.   | DESCRIPTION OF PART                   | NO. REQ. |
|------|------------|---------------------------------------|----------|
| ★ 1  | 06-82-7284 | 8-16 x 3/4" Pan Hd. Slit. Plast. T-20 | (6)      |
| ★ 2  | 31-44-1705 | Right Handle Half                     | (1)      |
| 3    | 23-66-1655 | Speed Control Switch                  | (1)      |
| ★ 4  | 23-94-6225 | Ground Wire Assembly (Not Shown)      | (1)      |
| ★ 5  | 22-20-0790 | Brush Tube                            | (2)      |
| 6    | 22-16-0275 | Carbon Brush                          | (2)      |
| ★ 7  | 23-52-1560 | Brush Spring Assembly                 | (2)      |
| ★ 8  | 22-72-0100 | Bearing Cup                           | (1)      |
| 9    | 06-85-0200 | Nameplate Screw                       | (2)      |
| ★ 10 | 12-99-0850 | Service Nameplate                     | (1)      |
| ★ 11 | 31-44-1700 | Left Handle Half                      | (1)      |
| 12   | 22-56-0456 | Terminal Block                        | (1)      |
| 13   | 14-38-0550 | Motor Housing Assembly                | (1)      |
| 14   | 44-60-0530 | Ground Pin                            | (1)      |
| 15   | 02-04-0645 | Ball Bearing                          | (1)      |
| ★ 16 | 18-11-0060 | 120 Volt Field                        | (1)      |
| 17   | 16-10-0470 | 120 Volt D.I. Armature                | (1)      |
| 18   | 22-84-0760 | Fan Assembly                          | (1)      |
| ★ 19 | 02-04-0851 | Ball Bearing                          | (1)      |
| ★ 20 | 06-82-7393 | 7-18 x 2" Pan Hd. Slit. Plast. T-20   | (2)      |
| ★ 21 | 44-76-0210 | Cord Protector                        | (1)      |
| ★ 22 | 22-64-3180 | Cord Set                              | (1)      |
| ★ 23 | 28-28-1940 | Diaphragm                             | (1)      |
| 24   | 02-50-1210 | Needle Bearing                        | (1)      |
| 25   | 45-88-7301 | Heat Treated Washer                   | (1)      |
| 26   | 32-40-1950 | Intermediate Gear                     | (1)      |
| 27   | 36-66-4380 | Intermediate Pinion Shaft             | (1)      |
| 28   | 02-04-0640 | Ball Bearing                          | (1)      |
| 29   | 02-50-1620 | Needle Bearing                        | (1)      |
| 30   | 32-75-3230 | Spindle Gear                          | (1)      |

| FIG. | PART NO.   | DESCRIPTION OF PART                     | NO. REQ. |
|------|------------|---|----------|
| 31   | 06-42-0800 | Woodruff Key                            | (1)      |
| 32   | 38-50-5660 | Reversing Spindle                       | (1)      |
| 34   | 06-65-0825 | 1/8 x 1/2" Groove Pin 5                 | (1)      |
| 35   | 06-82-7368 | 7-18 x 1-3/4" Pan Hd. Slit. Plast T-20  | (2)      |
| 36   | 02-04-1020 | Ball Bearing                            | (1)      |
| 37   | 34-80-1400 | Retaining Ring                          | (1)      |
| 38   | 45-88-7940 | Chuck Washer                            | (1)      |
| 39   | 06-82-7308 | 7-18 x 1-1/8" Pan Hd. Slit. Plast. T-20 | (1)      |
| ★ 40 | 48-66-0795 | 3/8" Chuck                              | (1)      |
| 41   | 48-66-3240 | Chuck Key                               | (1)      |
| 42   | 45-04-0750 | Chuck Screw - L.H. Thread               | (1)      |
| 43   | 48-66-4040 | Key Holder                              | (1)      |
| 44   | 06-82-7212 | 4-20 x 1/4" Pan Hd. Slit. Plast. T-10   | (1)      |
| ★ 45 | 14-20-0405 | Remote Electronic Assembly              | (1)      |
| 46   | 14-30-0620 | Gear Case Assembly                      | (1)      |

**FIG. LUBRICATION**  
46 1-1/2 Oz. Type "E" Grease, No. 49-08-4122. Place Grease Near Intermediate Shaft Ball Bearing In Gear Case.

| FIG.       | NOTES   |
|------------|---|
| 1          | Torque to 18-28 In./Lbs.                          |
| 20, 35, 39 | Torque to 15-20 In./Lbs.                          |
| 42         | Torque to 30-50 In./Lbs.                          |
| 44         | Torque to 3-5 In./Lbs.                            |
| 8          | Place in motor housing before inserting armature. |
| 24, 29     | Press flush to casting surface.                   |
| 15         | Seal towards armature.                            |
| 36         | Seal towards chuck.                               |