



SERVICE PARTS LIST

BULLETIN NO.
54-06-0571

SPECIFY CATALOG NO. AND SERIAL NO. WHEN ORDERING PARTS		REVISED BULLETIN 54-06-0570	DATE Feb. '86
3/8" HOLE-SHOOTER		WIRING INSTRUCTION 58-01-0015	
CATALOG NO. 0228-1	STARTING SERIAL NO. 689-90000		

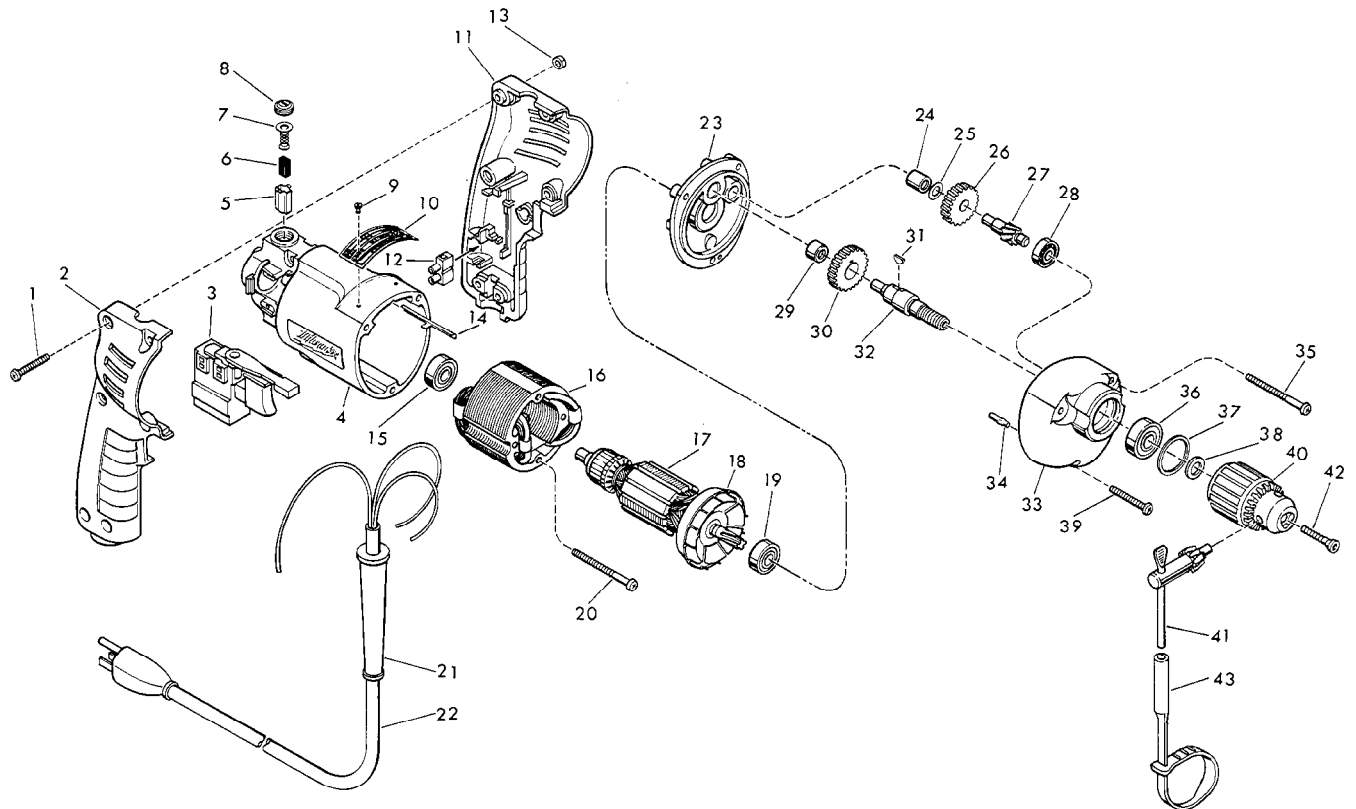


FIG.	PART NO.	DESCRIPTION OF PART	NO. REQ.	FIG.	PART NO.	DESCRIPTION OF PART	NO. REQ.
	1	06-81-0473 8-32 x 1" Pan Hd. Pozi Dr. Screw	(6)	★27	36-66-4380	Intermediate Shaft	(1)
	2	31-44-1130 Right Handle Half	(1)	28	02-04-0640	Ball Bearing	(1)
	3	23-66-1245 Speed Control Switch	(1)	29	02-50-1620	Needle Bearing	(1)
★	4	31-50-0345 Motor Housing	(1)	★30	32-75-3230	Spindle Gear	(1)
	5	22-20-0530 Brush Tube	(2)	31	06-42-0800	Woodruff Key	(1)
★	6	22-16-0275 Carbon Brush	(2)	★32	38-50-5660	Reversing Spindle	(1)
	7	23-52-0210 Brush Spring Assembly	(2)	★33	28-14-1820	Gear Case	(1)
	8	23-44-0120 Brush Retaining Screw	(2)	34	06-65-0825	1/8 x 1/2" Groove Pin 5	(1)
	9	06-85-0200 Nameplate Screw	(2)	★35	06-95-0145	7-18 x 1-3/4" Pan Hd. Pozi Driv Screw	(2)
★10	12-99-0420	Nameplate Blank	(1)	36	02-04-1020	Ball Bearing	(1)
	11	31-44-1140 Left Handle Half	(1)	37	34-80-1400	Retaining Ring	(1)
	12	22-56-0455 Terminal Block	(1)	★38	45-88-7940	Chuck Washer	(1)
	13	06-55-0835 8-32 Hex Nut	(6)	39	06-95-0137	7 x 1-1/8" Pan Hd. Pozi Dr. Screw	(1)
	14	44-60-0530 Ground Pin	(1)	40	48-66-0795	3/8" Chuck - (Includes Fig. No. 41)	(1)
	15	02-04-0645 Ball Bearing	(1)	41	48-66-3240	Chuck Key	(1)
	16	18-10-0060 120V Field	(1)	★42	45-04-0750	Chuck Screw - L.H. Thread	(1)
★17	16-10-0470	120V D.I. Armature - (Incl. Fig. No. 18)	(1)	43	48-66-4040	Key Holder	(1)
	18	22-84-0760 Fan Assembly	(1)				
	19	02-04-0847 Ball Bearing	(1)				
	20	06-95-0145 7-18 x 1-3/4" Pan Hd. Pozi Driv Screw	(2)				
	21	44-76-0130 Cord Protector	(1)				
	22	22-64-1120 Cord Set	(1)				
★23	28-28-1770	Diaphragm	(1)				
	24	02-50-1210 Needle Bearing	(1)				
★25	45-88-7301	Heat Treated Washer	(1)				
★26	32-40-1950	Intermediate Gear	(1)				

LUBRICATION

Use 1-1/2 Oz. Of Type "E" Grease In Gear Case