



SERVICE PARTS LIST

BULLETIN NO.
54-06-0574

SPECIFY CATALOG NO. AND SERIAL NO. WHEN ORDERING PARTS		REVISED BULLETIN	DATE
3/8" T.S.C. REV. HOLE-SHOOTER		54-06-0573	May '99
CATALOG NO. 0228-1	STARTING SERIAL NO. 689-457000 or 689A	WIRING INSTRUCTION 58-01-0023	

EXAMPLE:
Component Parts (Small #)
Are Included When Ordering
The Assembly (Large #).

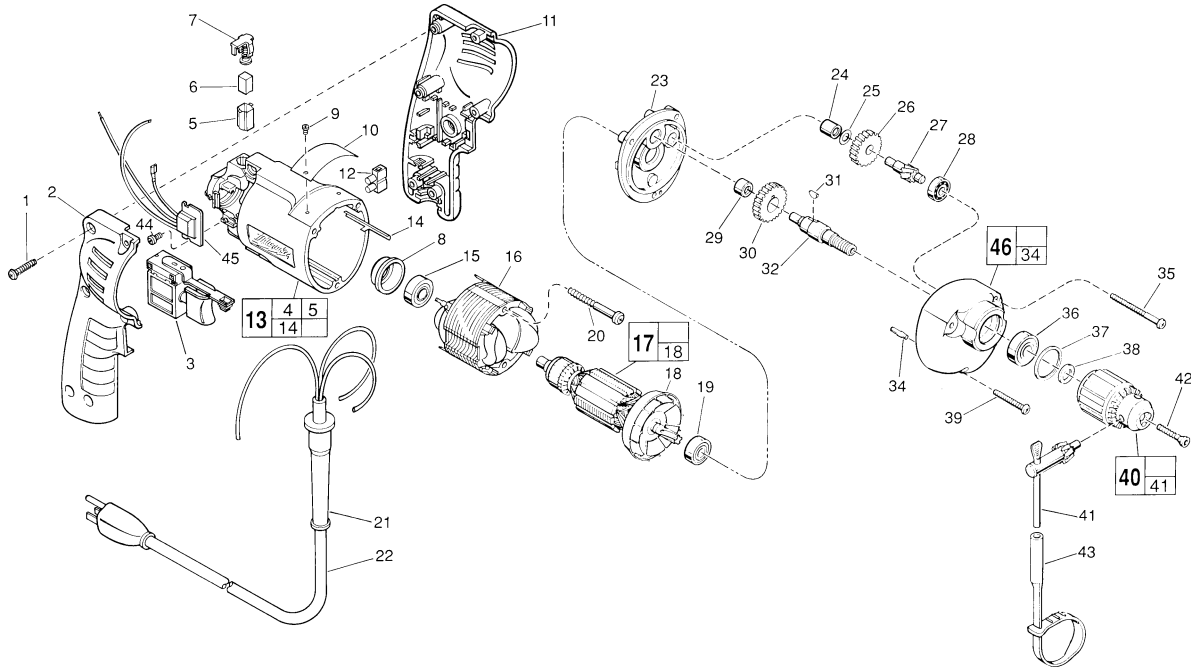


FIG.	PART NO.	DESCRIPTION OF PART	NO. REQ.
	1	06-82-7284 8-16 x 3/4" Pan Hd. Slit. Plast. T-20	(6)
★	2	31-44-1745 Right Handle Half	(1)
★	3	23-66-2145 Speed Control Switch	(1)
4	23-94-6225	Ground Wire Assembly (Not Shown)	(1)
★	5	22-20-0830 Brush Tube	(2)
6	22-16-0275	Carbon Brush	(2)
7	23-52-1560	Brush Spring Assembly	(2)
8	22-72-0100	Bearing Cup	(1)
9	06-85-0200	Nameplate Screw	(2)
10	12-99-0850	Service Nameplate	(1)
★	11	31-44-1740 Left Handle Half	(1)
12	22-56-0456	Terminal Block	(1)
★	13	14-38-0600 Motor Housing Assembly	(1)
14	44-60-0530	Ground Pin	(1)
15	02-04-0645	Ball Bearing	(1)
16	18-11-0060	120 Volt Field	(1)
17	16-10-0470	120 Volt D.I. Armature	(1)
18	22-84-0760	Fan Assembly	(1)
19	02-04-0851	Ball Bearing	(1)
20	06-82-7393	7-18 x 2" Pan Hd. Slit. Plast. T-20	(2)
21	44-76-0210	Cord Protector	(1)
★	22	22-64-1120 Cord Set	(1)
23	28-28-1940	Diaphragm	(1)
24	02-50-1210	Needle Bearing	(1)
25	45-88-7301	Heat Treated Washer	(1)
26	32-40-1950	Intermediate Gear	(1)
27	36-66-4380	Intermediate Pinion Shaft	(1)
28	02-04-0640	Ball Bearing	(1)
29	02-50-1620	Needle Bearing	(1)
30	32-75-3230	Spindle Gear	(1)

FIG.	PART NO.	DESCRIPTION OF PART	NO. REQ.
31	06-42-0800	Woodruff Key	(1)
32	38-50-5660	Reversing Spindle	(1)
34	06-65-0825	1/8 x 1/2" Groove Pin 5	(1)
35	06-82-7368	7-18 x 1-3/4" Pan Hd. Slit. Plast T-20	(2)
36	02-04-1020	Ball Bearing	(1)
37	34-80-1400	Retaining Ring	(1)
38	45-88-7940	Chuck Washer	(1)
39	06-82-7308	7-18 x 1-1/8" Pan Hd. Slit. Plast. T-20	(1)
40	48-66-0795	3/8" Chuck	(1)
41	48-66-3240	Chuck Key	(1)
42	45-04-0750	Chuck Screw - L.H. Thread	(1)
43	48-66-4040	Key Holder	(1)
44	06-82-7212	4-20 x 1/4" Pan Hd. Slit. Plast. T-10	(1)
★	45	14-20-0650 Remote Electronic Assembly	(1)
46	14-30-0620	Gear Case Assembly	(1)

FIG. LUBRICATION
46 1-1/2 Oz. Type "E" Grease, No. 49-08-4122. Place Grease Near Intermediate Shaft Ball Bearing In Gear Case.

FIG.	NOTES
1	Torque to 18-28 In./Lbs.
20, 35, 39	Torque to 15-20 In./Lbs.
42	Torque to 30-50 In./Lbs.
44	Torque to 3-5 In./Lbs.
8	Place in motor housing before inserting armature.
24, 29	Press flush to casting surface.
15	Seal towards armature.
36	Seal towards chuck.