

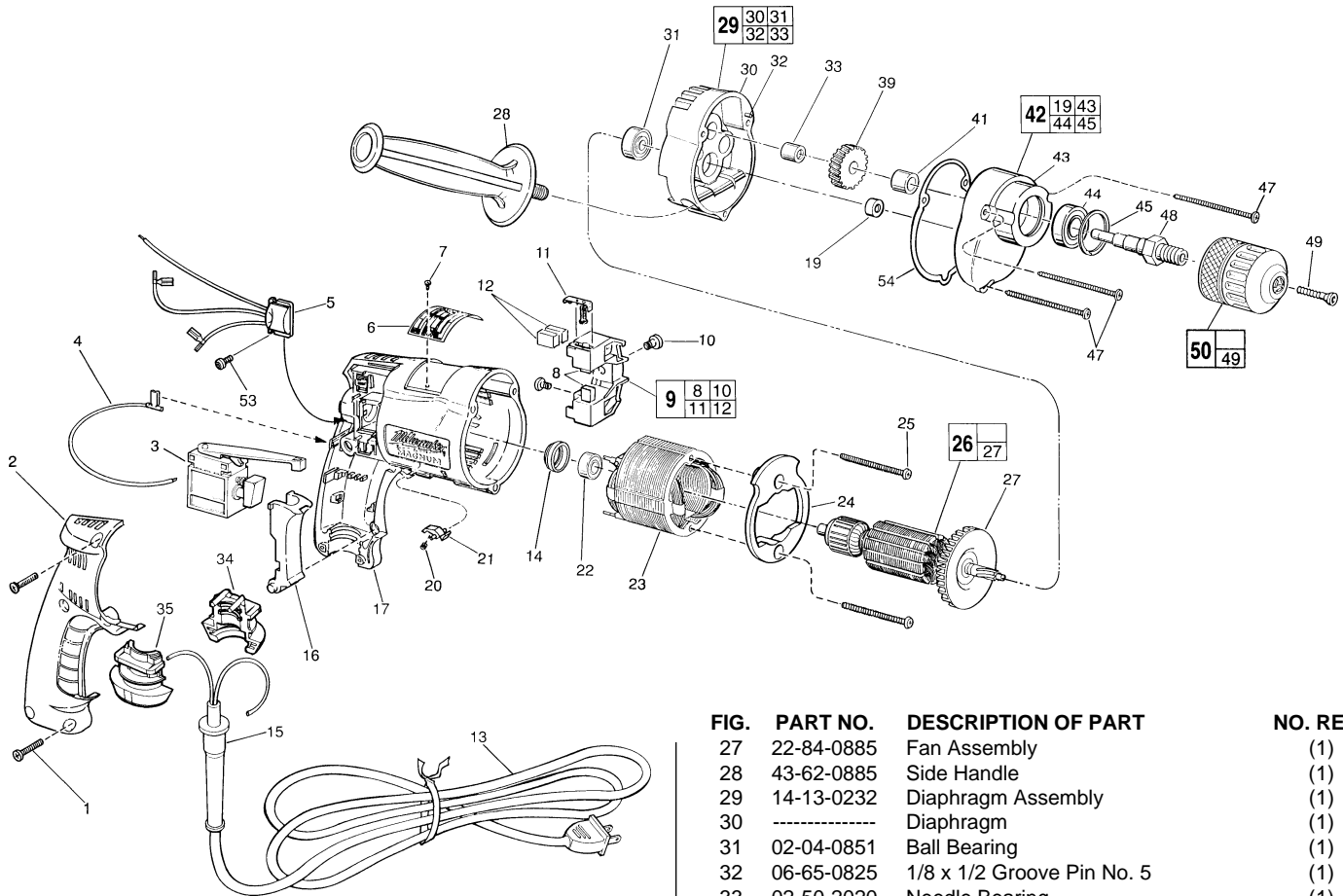


SERVICE PARTS LIST

BULLETIN NO.
54-06-6025

| | | | |
|---|---------------------------------|---|----------|
| SPECIFY CATALOG NO. AND SERIAL NO. WHEN ORDERING PARTS | | REVISED BULLETIN | DATE |
| 3/8" KEYLESS 2800 RPM MAGNUM HOLE-SHOOTER | | | July '99 |
| CATALOG NO. 0233-21 | STARTING SERIAL NO. 055A | WIRING INSTRUCTION 58-01-1655 | |

EXAMPLE:
Component Parts (Small #)
Are Included When Ordering
The Assembly (Large #).



| FIG. | PART NO. | DESCRIPTION OF PART | NO. REQ. |
|------|------------|--|----------|
| 1 | 06-82-7266 | 7-1/8 x 11/16" Pan Hd. Plastite T-20 | (5) |
| 2 | 31-15-0402 | Handle Cover | (1) |
| 3 | 23-66-1666 | Trigger Speed Control Reversing Switch | (1) |
| 4 | 23-94-6247 | 2-3/8" Lead Assembly | (1) |
| 5 | 14-20-0795 | Remote Electronic Assembly | (1) |
| 6 | 12-99-0145 | Nameplate Blank | (1) |
| 7 | 06-72-1720 | Nameplate Rivet | (2) |
| 8 | 22-16-0275 | Carbon Brush | (2) |
| 9 | 22-22-0351 | Brush Holder Assembly | (1) |
| 10 | 31-75-0040 | Brush Holder Screw | (2) |
| 11 | 22-20-0345 | Brush Spring Assembly | (2) |
| 12 | 22-16-0275 | Carbon Brush (Spares) | (2) |
| 13 | 22-64-0215 | Cord Set | (1) |
| 14 | 22-72-0100 | Bearing Cup | (1) |
| 15 | 44-76-0210 | Cord Protector | (1) |
| 16 | 45-72-0081 | Trigger | (1) |
| 17 | 14-38-0545 | Motor Housing Assembly | (1) |
| 19 | 42-40-0050 | Bushing | (1) |
| 20 | 40-50-0085 | Lock Button Spring | (1) |
| 21 | 42-42-0460 | Lock Button | (1) |
| 22 | 02-04-0645 | Ball Bearing | (1) |
| 23 | 18-11-0075 | 120 Volt Field | (1) |
| 24 | 42-14-0395 | Baffle | (1) |
| 25 | 06-82-7398 | 7-18 x 2-1/16" Pan Hd. Plastite T-20 | (2) |
| 26 | 16-10-0805 | 120 Volt Armature Assembly | (1) |

| FIG. | PART NO. | DESCRIPTION OF PART | NO. REQ. |
|------|------------|-------------------------------------|----------|
| 27 | 22-84-0885 | Fan Assembly | (1) |
| 28 | 43-62-0885 | Side Handle | (1) |
| 29 | 14-13-0232 | Diaphragm Assembly | (1) |
| 30 | ----- | Diaphragm | (1) |
| 31 | 02-04-0851 | Ball Bearing | (1) |
| 32 | 06-65-0825 | 1/8 x 1/2 Groove Pin No. 5 | (1) |
| 33 | 02-50-2020 | Needle Bearing | (1) |
| 34 | 31-17-0260 | Cord Clamp Half | (1) |
| 35 | 31-17-0270 | Cord Clamp Half | (1) |
| 39 | 32-75-2915 | Spindle Gear | (1) |
| 41 | 45-36-1105 | Spacer | (1) |
| 42 | 14-30-0232 | Gear Case Assembly | (1) |
| 43 | ----- | Gear Case | (1) |
| 44 | 02-04-1229 | Ball Bearing | (1) |
| 45 | 34-80-2300 | Retaining Ring | (1) |
| 47 | 06-82-7380 | 7-18 x 1-7/8" Pan Hd. Plastite T-20 | (3) |
| 48 | 38-50-6100 | Spindle - Single Reduction | (1) |
| 49 | 45-04-0750 | Chuck Retaining Screw | (1) |
| 50 | 48-66-1530 | 3/8" Keyless Chuck | (1) |
| 53 | 06-82-7212 | 4-20 x 1/4" Pan Hd. Plastite T-10 | (1) |
| 54 | 43-44-0913 | Gasket | (1) |
| | 23-94-6325 | 4-5/8" Lead Assembly | (1) |
| | 23-94-6335 | 3-1/2" Lead Assembly | (1) |
| | 23-94-6242 | 3-3/8" Lead Assembly | (1) |
| | 10-98-5986 | Warning Label | (1) |

FIG. 30 LUBRICATION
49-08-4170 5/8 Oz. Type "L" Grease
Place In Diaphragm, Near Needle Bearing #33.

FIG. 22 NOTES
Ball Bearing Seal Towards Armature.

MILWAUKEE ELECTRIC TOOL CORPORATION
13135 W. LISBON RD., BROOKFIELD, WI 53005
Drwg. 1