



# SERVICE PARTS LIST

**BULLETIN NO.**  
**54-06-0158**

<b>SPECIFY CATALOG NO. AND SERIAL NO. WHEN ORDERING PARTS</b>		<b>REVISED BULLETIN</b> 54-06-0157	<b>DATE</b> July '94
<b>1/2" MAGNUM HOLE-SHOOTER</b>			
<b>CATALOG NO.</b> 0234-1	<b>STARTING SERIAL NO.</b> 532-1182451	<b>WIRING INSTRUCTION</b> <b>58-01-0077</b>	

**EXAMPLE:**  

00	0
----	---

 Component Parts ( Small #)  
 Are Included When Ordering  
 The Assembly (Large #).

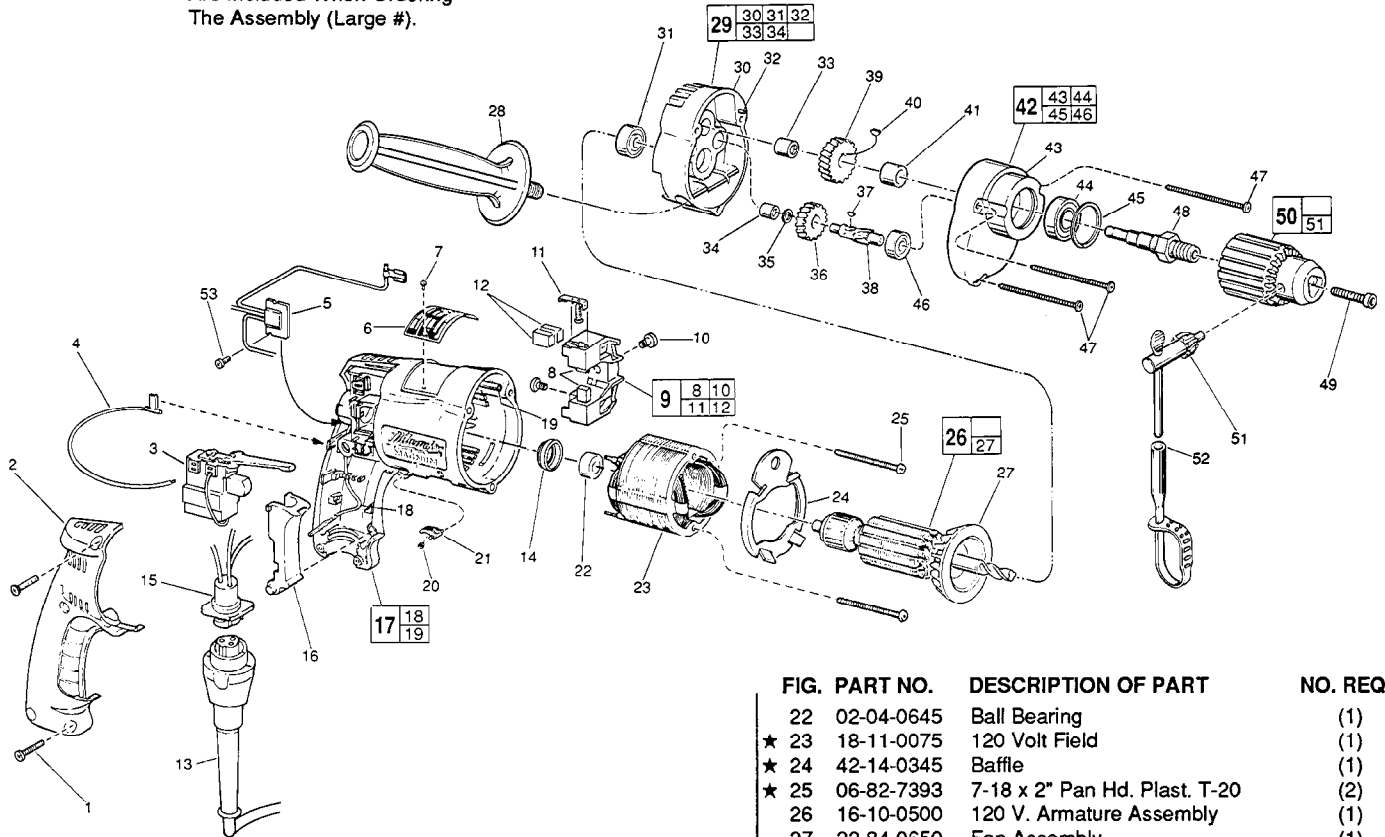


FIG.	PART NO.	DESCRIPTION OF PART	NO. REQ.
	1	06-82-7266 7-1/8 x 11/16" Pan Hd. Plastite T-20	(5)
★	2	31-15-0401 Handle Cover	(1)
	3	23-66-1665 Trigger Speed Control Reversing Switch	(1)
	4	23-94-6245 2-1/4 Lead Assembly	(1)
	5	14-20-0250 Remote Electronic Assembly	(1)
	6	12-99-0071 Nameplate Blank	(1)
	7	06-85-0200 Nameplate Screw	(2)
	8	22-16-0275 Carbon Brush	(2)
	9	22-22-0351 Brush Holder Assembly	(1)
	10	31-75-0040 Brush Holder Screw	(2)
	11	22-20-0345 Brush Spring Assembly	(2)
	12	22-16-0275 Carbon Brush (Spares)	(2)
	13	48-76-4008 Cord Set	(1)
	14	22-72-0100 Bearing Cup	(1)
★	15	22-56-0630 Pin Housing Assembly	(1)
	16	45-72-0080 Trigger	(1)
★	17	14-38-0540 Motor Housing Assembly	(1)
★	18	23-94-9960 Ground Wire Assembly	(1)
	19	44-60-1290 Grounding Pin	(1)
	20	40-50-0085 Lock Button Spring	(1)
	21	42-42-0150 Lock Button	(1)

FIG.	PART NO.	DESCRIPTION OF PART	NO. REQ.
	22	02-04-0645 Ball Bearing	(1)
★	23	18-11-0075 120 Volt Field	(1)
★	24	42-14-0345 Baffle	(1)
★	25	06-82-7393 7-18 x 2" Pan Hd. Plast. T-20	(2)
	26	16-10-0500 120 V. Armature Assembly	(1)
	27	22-84-0650 Fan Assembly	(1)
	28	43-62-0885 Side Handle	(1)
	29	14-13-0460 Diaphragm Assembly	(1)
	30	Diaphragm	(1)
	31	02-04-0847 Ball Bearing	(1)
	32	06-65-0825 1/8 x 1/2 Groove Pin No. 5	(1)
	33	02-50-2020 Needle Bearing	(1)
	34	02-50-1620 Needle Bearing	(1)
	35	45-88-7721 Heat Treated Washer	(1)
	36	32-40-1815 Intermediate Gear	(1)
	37	06-42-0400 Woodruff Key	(1)
	38	36-66-4260 Intermediate Pinion	(1)
	39	32-75-2910 Spindle Gear	(1)
	40	06-42-1200 Woodruff Key	(1)
	41	45-36-1100 Spacer	(1)
	42	14-30-0335 Gear Case Assembly	(1)
	43	Gear Case	(1)
	44	02-04-1229 Ball Bearing	(1)
	45	34-80-2300 Retaining Ring	(1)
	46	02-04-0640 Ball Bearing	(1)
	47	06-82-7411 7-18 x 2-3/16" Pan Hd. Plast. T-20	(3)
	48	38-50-5250 Spindle - Double Reduction	(1)
	49	06-75-3150 1/4-20 x 1" Skt. Hd. Screw-L.H.Thd.	(1)
	50	48-66-1360 1/2" Chuck	(1)
	51	48-66-3280 Chuck Key	(1)
	52	48-66-4040 Key Holder	(1)
	53	06-82-7212 4-20x1/4" Pan Hd. Plastite T-10	(1)
		10-98-5986 Warning Label	(1)

**FIG. LUBRICATION**

43 1-1/2 Oz. Type "E" Grease No. 49-08-4122.  
**MILWAUKEE ELECTRIC TOOL CORPORATION**  
 13135 W. LISBON RD., BROOKFIELD, WI 53005