



SERVICE PARTS LIST

BULLETIN NO.
54-06-0855

SPECIFY CATALOG NO. AND SERIAL NO. WHEN ORDERING PARTS		REVISED BULLETIN	DATE
1/2" KEYLESS CHUCK MAGNUM DRILL		54-06-0854	June '92
CATALOG NO. 0235-1	STARTING SERIAL NO. 755-50425	WIRING INSTRUCTION	
		58-01-1074	

EXAMPLE:



Component Parts (Small #)
Are Included When Ordering
The Assembly (Large #).

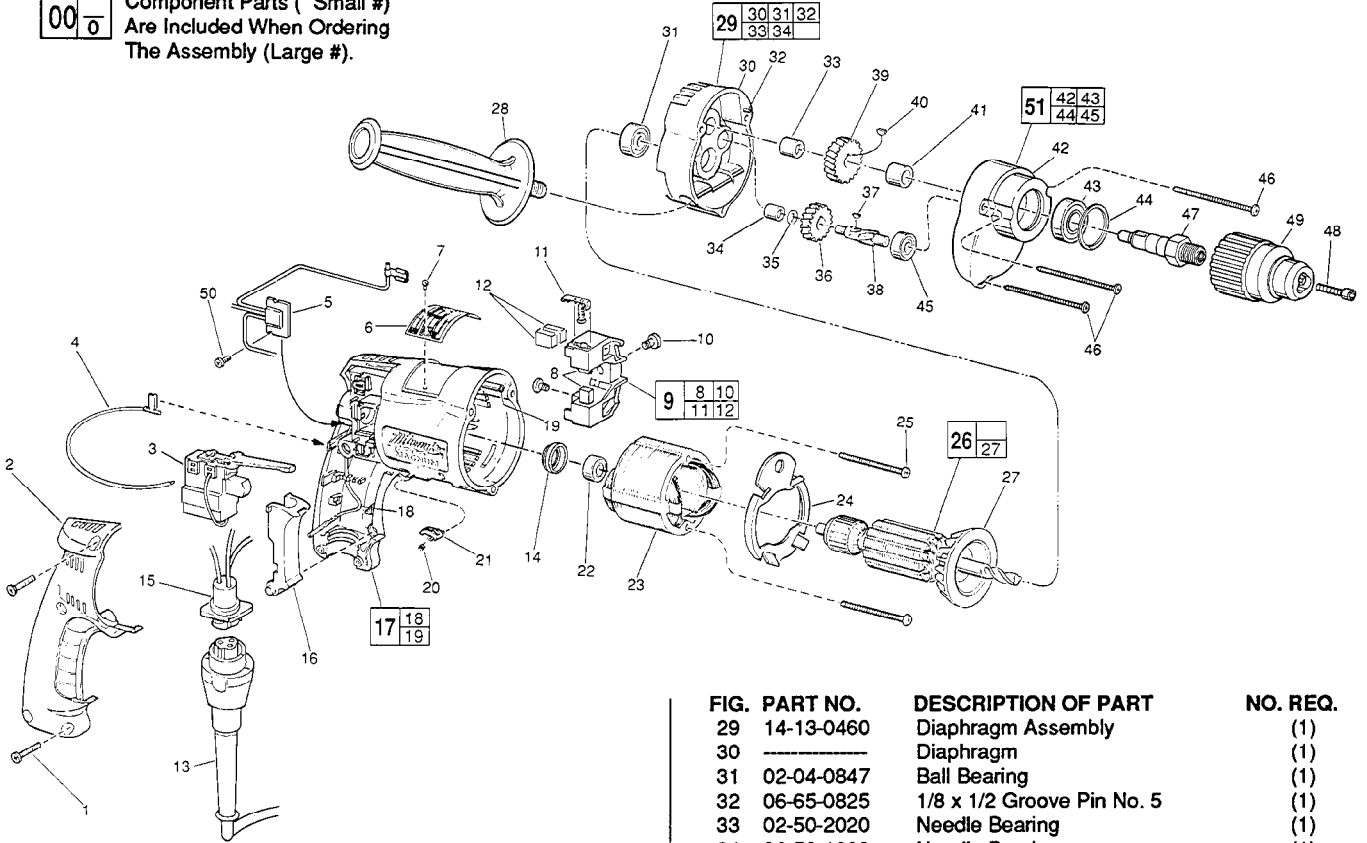


FIG.	PART NO.	DESCRIPTION OF PART	NO. REQ.
1	06-82-7266	7-18x11/16" Pan Hd. Plastite T-20	(5)
2	31-15-0400	Handle Cover	(1)
3	23-66-1665	Trigger Speed Control Switch	(1)
4	23-94-6245	2-1/4" Lead Assembly	(1)
5	14-20-0250	Remote Electronic Assembly	(1)
6	12-99-0071	Nameplate Blank	(1)
7	06-85-0200	Nameplate Screw	(2)
8	22-16-0275	Carbon Brush	(2)
9	22-22-0351	Brush Holder Assembly	(1)
10	31-75-0040	Brush Holder Screw	(2)
11	22-20-0345	Brush Spring Assembly	(2)
12	22-16-0275	Carbon Brush (Spares)	(2)
13	48-76-4008	Cord Set	(1)
14	22-72-0100	Bearing Cup	(1)
15	22-56-0302	Pin Housing Assembly	(1)
16	45-72-0080	Trigger	(1)
17	14-38-0580	Motor Housing Assembly	(1)
18	23-94-9686	Ground Wire Assembly	(1)
19	44-60-1290	Grounding Pin	(1)
20	40-50-0085	Lock Button Spring	(1)
21	42-42-0150	Lock Button	(1)
22	02-04-0645	Ball Bearing	(1)
23	18-10-0055	120 Volt Field	(1)
★ 24	42-14-0340	Baffle	(1)
★ 25	06-82-7368	7-18x1-3/4" Pan Hd. Plastite T-20	(2)
26	16-10-0500	120 Volt Armature Assembly	(1)
27	22-84-0650	Fan	(1)
28	43-62-0885	Side Handle	(1)

FIG.	PART NO.	DESCRIPTION OF PART	NO. REQ.
29	14-13-0460	Diaphragm Assembly	(1)
30	-----	Diaphragm	(1)
31	02-04-0847	Ball Bearing	(1)
32	06-65-0825	1/8 x 1/2 Groove Pin No. 5	(1)
33	02-50-2020	Needle Bearing	(1)
34	02-50-1620	Needle Bearing	(1)
35	45-88-7721	Heat Treated Washer	(1)
36	32-40-1815	Intermediate Gear	(1)
37	06-42-0400	Woodruff Key	(1)
38	36-66-4260	Intermediate Pinion	(1)
39	32-75-2910	Spindle Gear	(1)
40	06-42-1200	Woodruff Key	(1)
41	45-36-1100	Spacer	(1)
42	-----	Gear Case	(1)
43	02-04-1229	Ball Bearing	(1)
44	34-80-2300	Retaining Ring	(1)
45	02-04-0640	Ball Bearing	(1)
46	06-82-7411	7-18x2-3/16" Pan Hd. Plastite T-20	(3)
47	38-50-5250	Spindle - Double Reduction	(1)
48	06-75-3150	1/4-20x1" L.H. Thread Skt. Hd. Screw	(1)
49	48-66-2020	Keyless Chuck	(1)
50	06-82-7212	4-20 x 1/4" Pan Hd. Plastite T-10	(1)
	10-98-5986	Warning Label	(1)

FIG. LUBRICATION

42 1.5 Oz. Type "E" Grease, 49-08-4122. Place Grease Near Intermediate Shaft Ball Bearing In Gear Case.

FIG. NOTES

47 Apply Blue Loctite To Internal Threads Prior to Chuck Assy.
49 Hand Tighten Milwaukee Keyless Chuck Onto Spindle. Insert And Hand Tighten Chuck Retaining Screw. Insert Service Fixture 61-30-0155 Into The Chuck And Hand Tighten The Jaws Onto The Fixture. Place Fwd. / Rev. Switch In The Forward Position And Ratchet Chuck For 4 Seconds. Tighten Chuck Retaining Screw To Secure Chuck To Spindle (150 Lb./In.).

MILWAUKEE ELECTRIC TOOL CORPORATION
13135 W. LISBON RD., BROOKFIELD, WI 53005