



SERVICE PARTS LIST

SPECIFY CATALOG NO. AND SERIAL NO. WHEN ORDERING PARTS		REVISED BULLETIN	DATE
1/2" T.S.C. REV. HOLE-SHOOTER			May '91
CATALOG NO. 0238-3	STARTING SERIAL NO. 723-1001	WIRING INSTRUCTION	
		58-01-0015	

EXAMPLE:
Component Parts (Small #)
Are Included When Ordering
The Assembly (Large #).

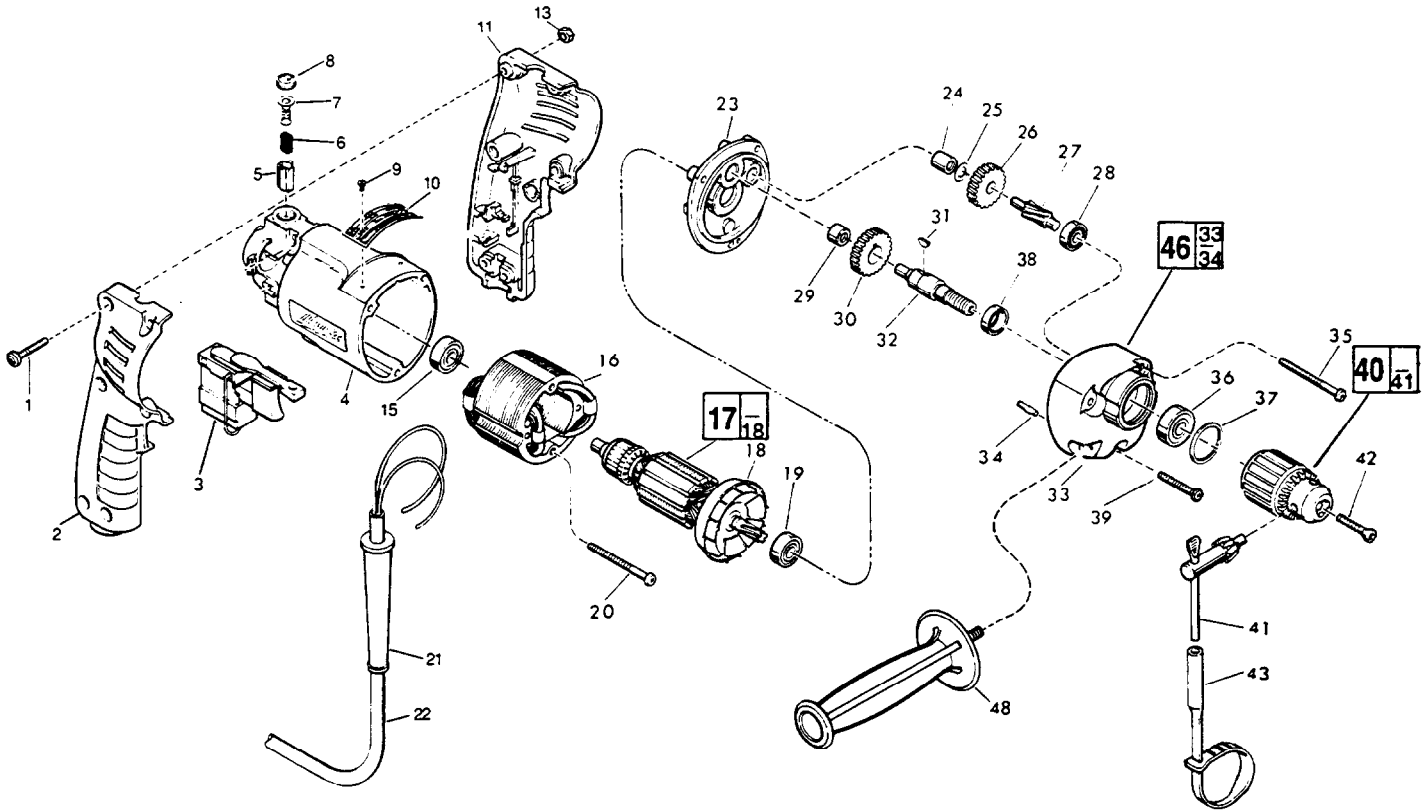


FIG.	PART NO.	DESCRIPTION	NO. REQ.
1	06-82-2361	8-32x15/16" Pan Hd. Slit. Torx Screw	(6)
2	31-44-1130	Right Handle Half	(1)
3	23-66-1505	Speed Control Switch	(1)
4	31-50-0346	Motor Housing	(1)
5	22-20-0530	Brush Tube	(2)
6	22-16-0375	Carbon Brush	(2)
7	23-52-0210	Brush Retaining Assembly	(2)
8	23-44-0120	Brush Retaining Screw	(2)
9	06-85-0200	Nameplate Screw	(2)
10	12-99-0570	Nameplate Blank	(2)
11	31-44-1140	Left Handle Half	(1)
13	06-55-0835	8-32 Hex Nut	(6)
15	02-04-0645	Ball Bearing	(1)
16	18-14-0130	220 Volt Field	(1)
17	16-14-0370	220 Volt Armature	(1)
18	22-84-0830	Fan Assembly	(1)
19	02-04-0847	Ball Bearing	(1)
20	06-82-7393	7-18x2" Pan Hd. Slit. Plast. Torx Screw	(2)
21	44-76-0210	Cord Protector	(1)
22	22-64-4480	Cord Set	(1)
23	28-28-1810	Diaphragm	(1)
24	02-50-1210	Needle Bearing	(1)
25	45-88-7301	Heat Treated Washer	(1)
26	32-40-2010	Intermediate Gear	(1)
27	36-66-4500	Intermediate Shaft	(1)
28	02-04-0640	Ball Bearing	(1)

FIG.	PART NO.	DESCRIPTION	NO. REQ.
29	02-50-1611	Needle Bearing	(1)
30	32-75-3320	Spindle Gear	(1)
31	06-42-1200	Woodruff Key	(1)
32	38-50-5740	Reversing Spindle	(1)
33	28-14-2005	Gear Case	(1)
34	06-65-0825	1/8 x 1/2" Groove Pin 5	(1)
35	06-82-7440	7-18x2-1/2" Pan Hd. Slit. Plast. Torx Screw	(2)
36	02-04-1229	Ball Bearing	(1)
37	34-80-2300	Retaining Ring	(1)
38	45-36-1100	Spindle Spacer	(1)
39	06-82-7344	7-18"x1-1/2" Pan Hd. Slit. Plast. Torx Screw	(1)
40	48-66-1365	1/2 Chuck	(1)
41	48-66-3280	Chuck Key	(1)
42	06-75-3150	Chuck Screw - L.H. Thread	(1)
43	48-66-4040	Key Holder	(1)
46	14-30-0521	Gear Case Assembly	(1)
48	43-62-0875	Side Handle	(1)

FIG LUBRICATION

33 1-1/4 Oz. Type "E" Grease, No. 49-08-4121.
Place Grease Near Intermediate Shaft Ball
Bearing In Gear Case.