



# SERVICE PARTS LIST

**BULLETIN NO.**  
**54-06-0864**

SPECIFY CATALOG NO. AND SERIAL NO. WHEN ORDERING PARTS		REVISED BULLETIN	DATE
<b>1/2" KEYLESS CHUCK HOLE-SHOOTER</b>		54-06-0863	May'93
<b>CATALOG NO. 0239-1</b>	<b>STARTING SERIAL NO. 756-18000 or 756A</b>	<b>WIRING INSTRUCTION</b>	
		<b>58-01-0023</b>	

**EXAMPLE:**  
Component Parts ( Small #)  
Are Included When Ordering  
The Assembly (Large #).

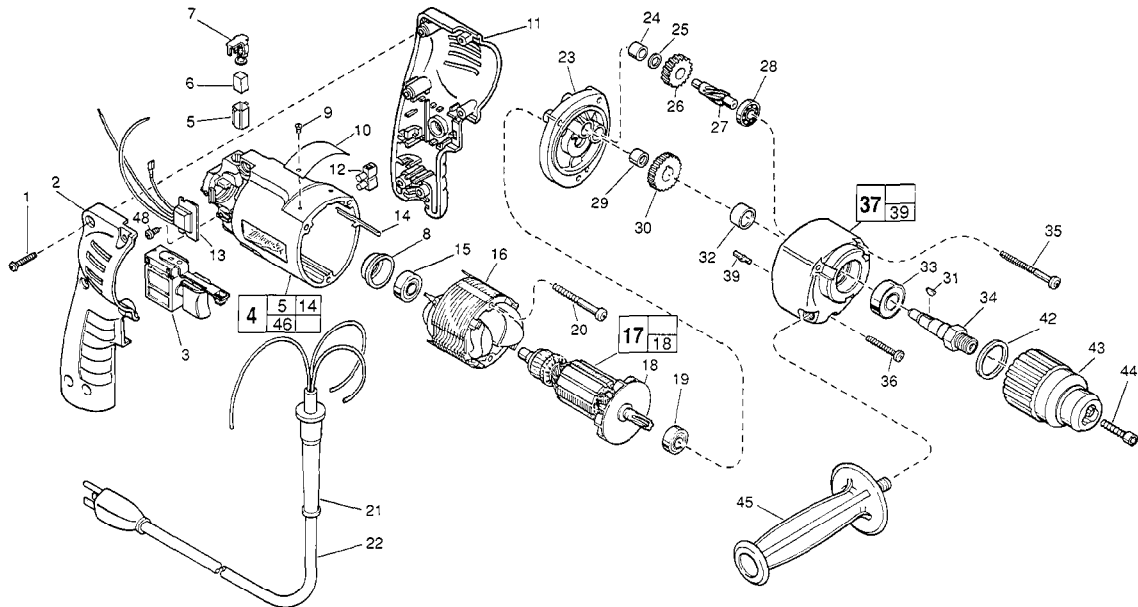


FIG.	PART NO.	DESCRIPTION OF PART	NO. REQ.
1	06-82-7284	8-16 x 3/4" Pan Hd. Slit. T-20	(6)
★ 2	31-44-1745	Right Handle Half	(1)
★ 3	23-66-2145	Speed Control Switch	(1)
★ 4	14-38-0600	Motor Housing Assembly	(1)
★ 5	22-20-0830	Brush Tube	(2)
6	22-16-0275	Carbon Brush	(2)
7	23-52-1560	Brush Spring Assembly	(2)
8	22-72-0100	Bearing Cup	(1)
9	06-85-0200	Nameplate Screw	(2)
10	12-99-0850	Service Nameplate	(1)
★ 11	31-44-1740	Left Handle Half	(1)
12	22-56-0456	Terminal Block	(1)
★ 13	14-20-0650	Remote Electronic Assembly	(1)
14	44-60-0530	Ground Pin	(1)
15	02-04-0645	Ball Bearing	(1)
16	18-11-0150	120 Volt Field	(1)
17	16-10-0370	120 Volt Armature	(1)
18	22-84-0830	Fan Assembly	(1)
19	02-04-0847	Ball Bearing	(1)
20	06-82-7393	7-18 x 2" Pan Hd. Slit Plast. T-20	(2)
21	44-76-0210	Cord Protector	(1)
★ 22	22-64-1120	Cord Set	(1)
23	28-28-1970	Diaphragm	(1)
24	02-50-1210	Needle Bearing	(1)
25	45-88-7301	Heat Treat Washer	(1)
26	32-40-2010	Intermediate Gear	(1)
27	36-66-4500	Intermediate Pinion Shaft	(1)
28	02-04-0640	Ball Bearing	(1)
29	02-50-1611	Needle Bearing	(1)
30	32-75-3320	Spindle Gear	(1)
31	06-42-1200	Woodruff Key	(1)
32	45-36-1100	Spindle Spacer	(1)
33	02-04-1229	Ball Bearing	(1)

FIG.	PART NO.	DESCRIPTION OF PART	NO. REQ.
34	38-50-5740	Spindle	(1)
35	06-82-7440	7-18 x 2-1/2" Pan Hd. Slit. Plast. T-20	(2)
36	06-82-7344	7-18 x 1-1/2" Pan Hd. Slit. Plast. T-20	(1)
37	14-30-0520	Gear Case Assembly	(1)
39	06-65-0825	Groove Pin	(1)
42	34-80-2300	Retaining Ring	(1)
43	48-66-2020	1/2" Keyless Chuck	(1)
44	06-75-3150	1/4-20 x 1" L.H. Thrd. Skt. Hd. Screw	(1)
45	43-62-0875	Side Handle	(1)
46	23-94-6225	Ground Wire Assembly (Not Shown)	(1)
48	06-82-7212	4-20 x 1/4" Pan Hd. Plast. T-10	(1)

**FIG. LUBRICATION**

37 1-1/2 Oz. Type "E" Grease, 49-08-4122. Place Grease Near Intermediate Shaft Ball Bearing In Gear Case.

**FIG. NOTES**

- 1 Torque to 18-22 In./Lbs.
- 20, 35, 36 Torque to 15-20 In./Lbs.
- 48 Torque to 3-5 In./Lbs.
- 34 Apply Blue Loctite To Internal Threads Prior To Chuck Assembly
- 43 Hand Tighten Milwaukee Keyless Chuck Onto Spindle. Insert And Hand Tighten Chuck Retaining Screw. Insert Service Fixture 61-30-0155 Into The Chuck And Hand Tighten The Jaws Onto The Fixture. Place Fwd. / Rev. Switch In The Forward Position And Ratchet Chuck For 4 Seconds. Tighten Chuck Retaining Screw To Secure Chuck To Spindle (150 In.-Lbs.)
- 8 Place in motor housing before inserting armature.
- 24, 29 Press flush to casting surface.
- 29 Press only on end with manufacturer ID.
- 15, 19 Seal towards armature.
- 33 Seal towards retaining ring.

**MILWAUKEE ELECTRIC TOOL CORPORATION**  
13135 W. LISBON RD., BROOKFIELD, WI 53005