



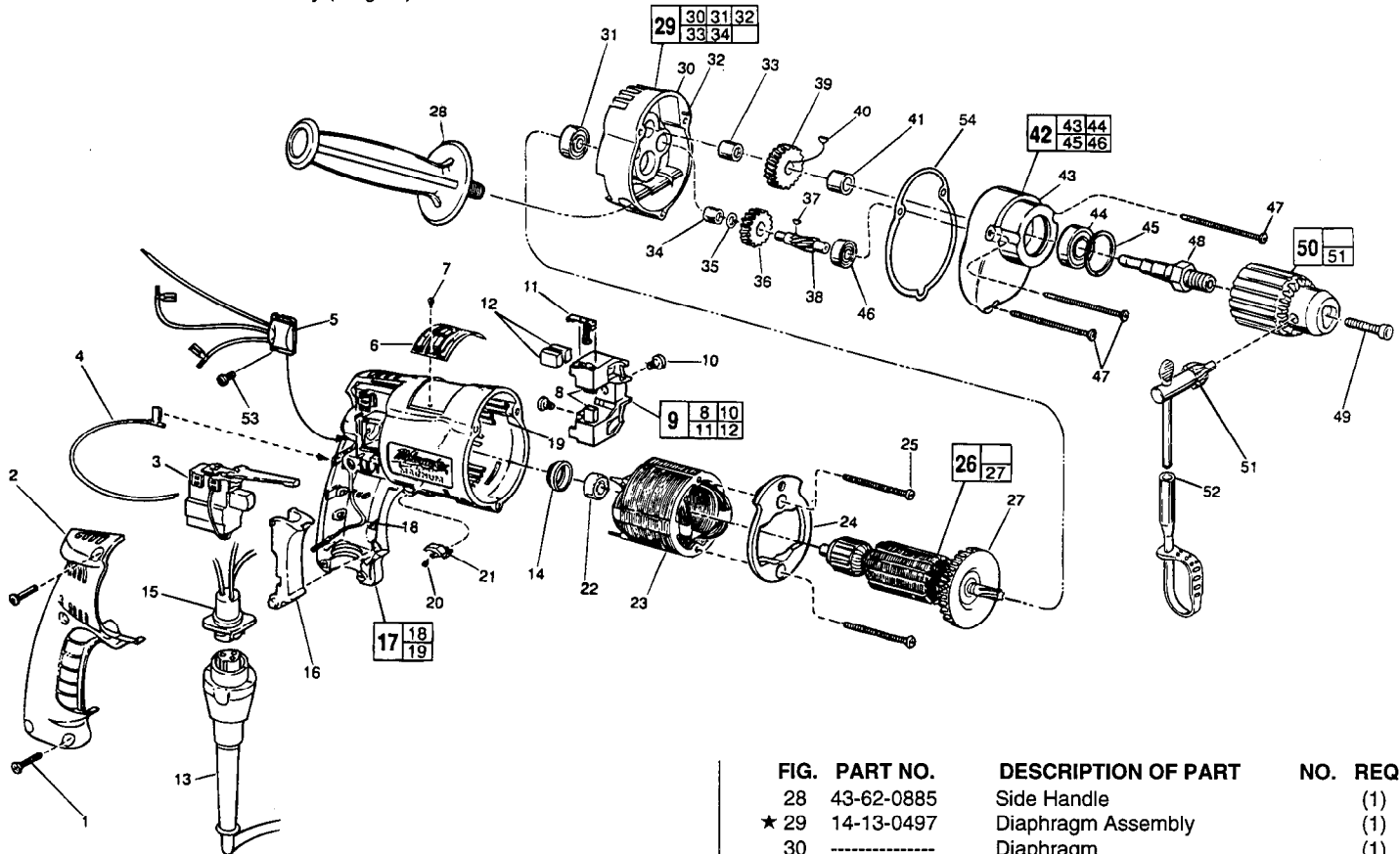
SERVICE PARTS LIST

BULLETIN NO.
54-06-0557

| | | | |
|--|---------------------------------|---|---------|
| SPECIFY CATALOG NO. AND SERIAL NO. WHEN ORDERING PARTS | | REVISED BULLETIN | DATE |
| 1/2" MAGNUM HOLE-SHOOTER | | 54-06-0556 | May '96 |
| CATALOG NO. 0244-1 | STARTING SERIAL NO. 664A | WIRING INSTRUCTION 58-01-1600 | |

EXAMPLE:
Component Parts (Small #)
Are Included When Ordering
The Assembly (Large #).

00
0



| FIG. | PART NO. | DESCRIPTION OF PART | NO. REQ. |
|------|------------|--|----------|
| 1 | 06-82-7266 | 7-1/8 x 11/16" Pan Hd. Plastite T-20 | (5) |
| 2 | 31-15-0402 | Handle Cover | (1) |
| 3 | 23-66-1665 | Trigger Speed Control Reversing Switch | (1) |
| 4 | 23-94-6245 | 2-1/4 Lead Assembly | (1) |
| 5 | 14-20-0765 | Remote Electronic Assembly | (1) |
| 6 | 12-99-0071 | Nameplate Blank | (1) |
| 7 | 06-72-1720 | Nameplate Rivet | (2) |
| 8 | 22-16-0275 | Carbon Brush | (2) |
| 9 | 22-22-0351 | Brush Holder Assembly | (1) |
| 10 | 31-75-0040 | Brush Holder Screw | (2) |
| 11 | 22-20-0345 | Brush Spring Assembly | (2) |
| 12 | 22-16-0275 | Carbon Brush (Spares) | (2) |
| 13 | 48-76-4008 | Cord Set | (1) |
| 14 | 22-72-0100 | Bearing Cup | (1) |
| 15 | 22-56-0630 | Pin Housing Assembly | (1) |
| 16 | 45-72-0080 | Trigger | (1) |
| 17 | 14-38-0540 | Motor Housing Assembly | (1) |
| 18 | 23-94-9960 | Ground Wire Assembly | (1) |
| 19 | 44-60-1290 | Grounding Pin | (1) |
| 20 | 40-50-0085 | Lock Button Spring | (1) |
| 21 | 42-42-0460 | Lock Button | (1) |
| 22 | 02-04-0645 | Ball Bearing | (1) |
| 23 | 18-11-0075 | 120 Volt Field | (1) |
| 24 | 42-14-0390 | Baffle | (1) |
| 25 | 06-82-7398 | 7-18 x 2-1/16" Pan Hd. Plastite T-20 | (2) |
| 26 | 16-10-0800 | 120 V. Armature Assembly | (1) |
| 27 | 22-84-0880 | Fan Assembly | (1) |

| FIG. | PART NO. | DESCRIPTION OF PART | NO. REQ. |
|------|------------|--|----------|
| 28 | 43-62-0885 | Side Handle | (1) |
| ★ 29 | 14-13-0497 | Diaphragm Assembly | (1) |
| 30 | ----- | Diaphragm | (1) |
| 31 | 02-04-0847 | Ball Bearing | (1) |
| ★ 32 | 06-65-0880 | Ground Pin | (1) |
| 33 | 02-50-2020 | Needle Bearing | (1) |
| 34 | 02-50-1620 | Needle Bearing | (1) |
| 35 | 45-88-7721 | Heat Treated Washer | (1) |
| 36 | 32-40-1815 | Intermediate Gear | (1) |
| 37 | 06-42-0400 | Woodruff Key | (1) |
| 38 | 36-66-4290 | Intermediate Pinion | (1) |
| 39 | 32-75-3040 | Spindle Gear | (1) |
| 40 | 06-42-1200 | Woodruff Key | (1) |
| 41 | 45-36-1100 | Spacer | (1) |
| ★ 42 | 14-30-0337 | Gear Case Assembly | (1) |
| 43 | ----- | Gear Case | (1) |
| 44 | 02-04-1229 | Ball Bearing | (1) |
| 45 | 34-80-2300 | Retaining Ring | (1) |
| 46 | 02-04-0640 | Ball Bearing | (1) |
| 47 | 06-82-7411 | 7-18 x 2-3/16" Pan Hd. Plastite T-20 | (3) |
| 48 | 38-50-5250 | Spindle - Double Reduction | (1) |
| 49 | 06-75-3150 | 1/4-20 x 1" Socket Hd. Screw-L.H. Thread | (1) |
| 50 | 48-66-1365 | 1/2" Chuck | (1) |
| 51 | 48-66-3280 | Chuck Key | (1) |
| 52 | 48-66-4040 | Key Holder | (1) |
| 53 | 06-82-7212 | 4-20 x 1/4" Pan Hd. Plastite T-10 | (1) |
| ★ 54 | 43-44-0913 | Gasket | (1) |
| | 10-98-5986 | Warning Label | (1) |

FIG. LUBRICATION
43 1-1/2 Oz. Type "E" Grease, No. 49-08-4122.

MILWAUKEE ELECTRIC TOOL CORPORATION
13135 W. LISBON RD., BROOKFIELD, WI 53005