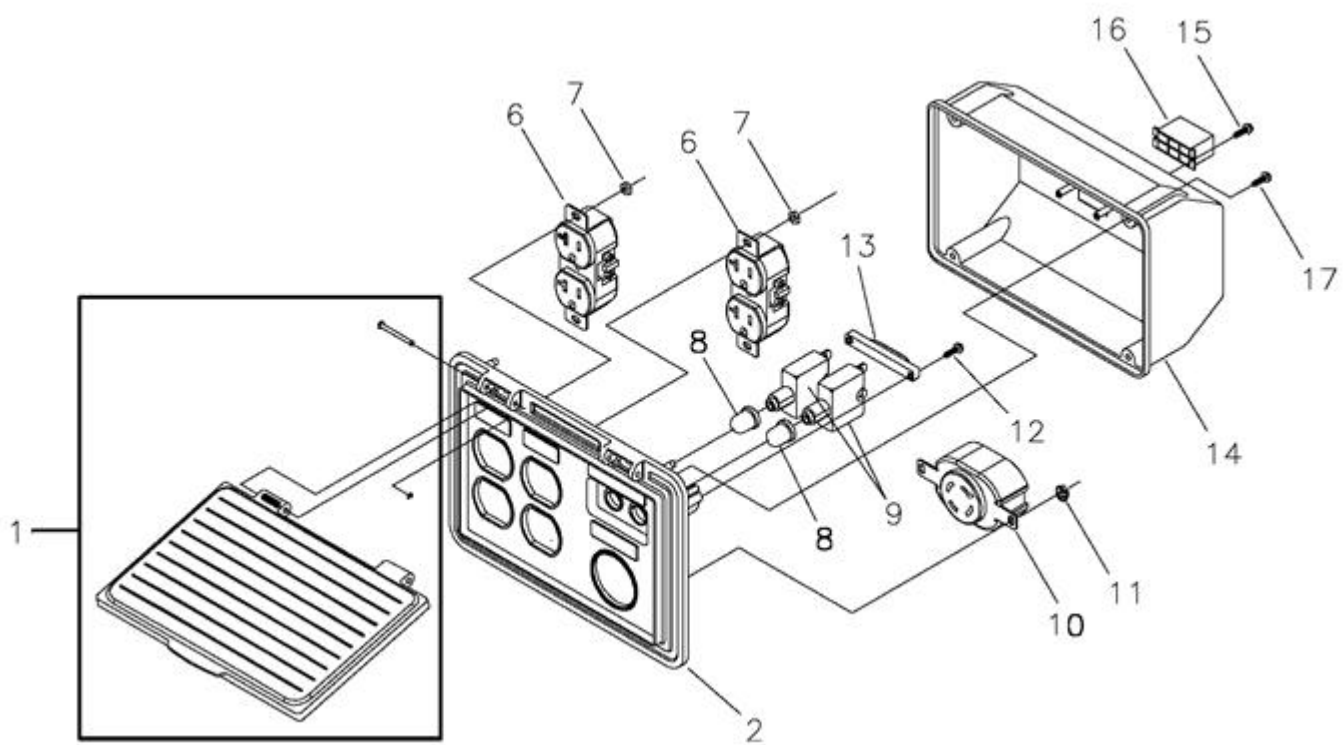
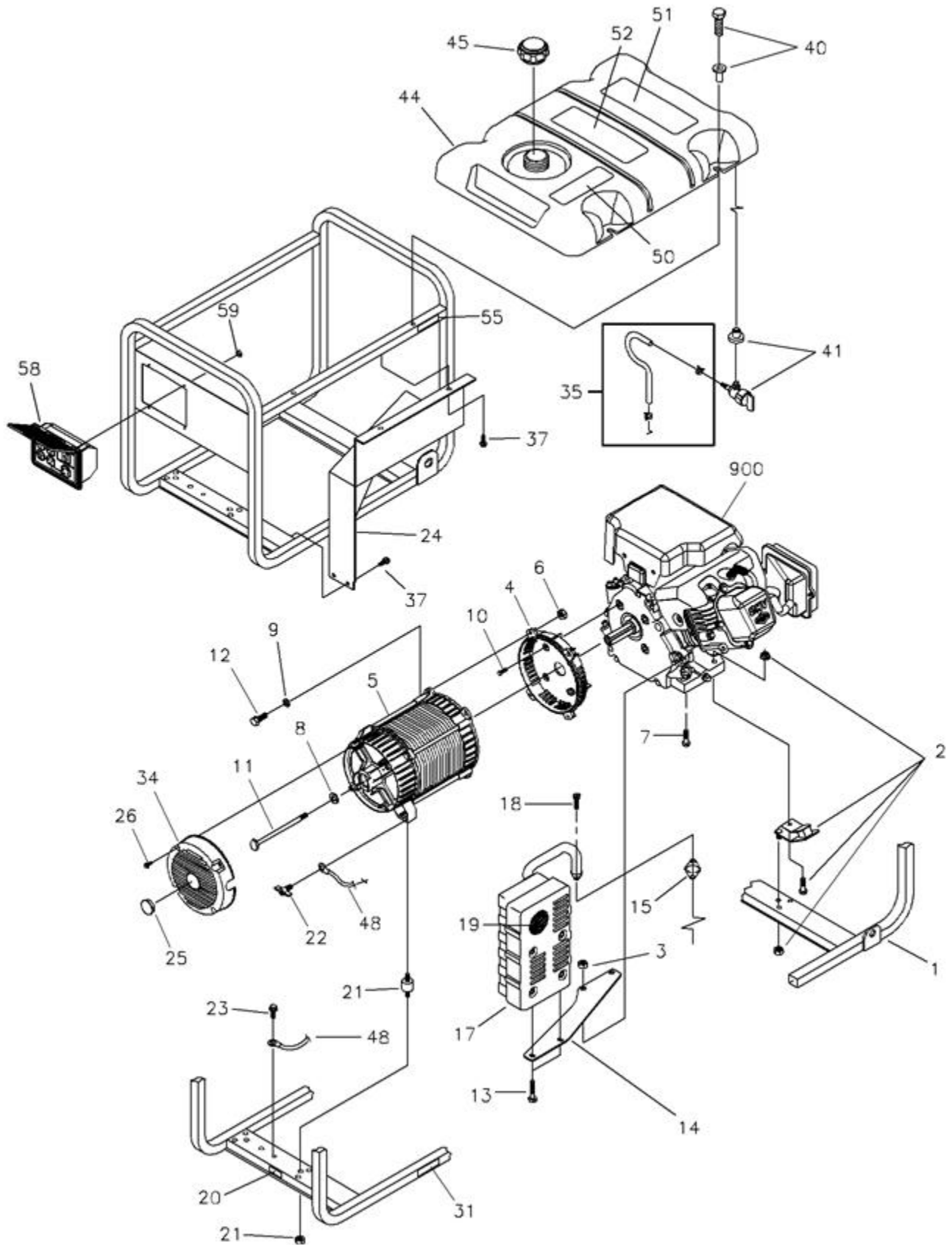


Ref #	Part #	Description	Qty	Context	Note	Foot	Note
1	186059GS	ADAPTER, Mounting,Alternator					
2	191685GS	ROTOR					
3	191686AGS	STATOR					
4	186060GS	RBC, with O-Ring (p/n 189197GS)					
5	86308GS	HHCS, M6 - 1.0 x 115 SEMS					
6	91825GS	ASSY, Holder, Rectifier/Brush					
7	66849GS	TAPTITE, M5 - 0.8 x 16					
8	22694GS	RECEPTACLE, 6 pin					
9	81917GS	PIN, Roll, 4mm x 10					
10	193428AGS	ASSY,Wire, Ground					
13	194274GS	HARNESS,Wire, Power					
14	65791GS	BEARING					



Ref #	Part #	Description	Qty	Context Note	Foot Note
1	195112GS	KIT, Cover Control Panel			
2	188889AGS	CONTROL PANEL, Compact			
6	68759GS	OUTLET, 120V, 20Amp, Duplex			
7	-----	NUT, Palnut, Pushnut, 5/32		(Purchase locally)	
8	84198GS	CAP, Breaker, Circuit			
9	75207DGS	BREAKER, Circuit			
10	68867GS	OUTLET, 120/240V Locking, 20A			
11	-----	NUT, Palnut, Pushnut, 3/16		(Purchase locally)	
12	-----	PPPHS, M3 - 0.5 x 18		(Purchase locally)	
13	93857GS	BAR, Retaining			
14	188890GS	COVER, Back, Control Panel			
15	-----	SCREW, 3 x 18, Tapping		(Purchase locally)	
16	22694GS	HOUSING, Receptacle			
17	-----	SCREW, 3.5 x 14, Tapping		(Purchase locally)	



Ref #	Part #	Description	Qty	Context Note	Foot Note
1	R194779GS	KIT, Cradle		(Includes Items 20, 31 & 55)	
2	194150GS	KIT,Vibration Mount			
3	67989GS	NUT,M8 Flange Serrated			
4	186058AGS	HOUSING,Engine Adapter			
5		NSP ASSY,Alternator		(see "Alternator")	
6		NUT, Hex, M8 - 1.25		(Purchase Locally)	
7		TPHMS,M8 1.25 x 35		(Purchase Locally)	
8	96796GS	WASHER			
9		WASHER, 5/16 - M8, Lock		(Purchase Locally)	
10		HHCS, 5/16-24 x 3/4,SEMS		(Purchase Locally)	
11	24823GS	HHCS,5/16-24 x 7-7/8" Lg			
12		HHCS,M8 - 1.25 x 25		(Purchase Locally)	
13		HHCS, M6 1.0 x 12		(Purchase Locally)	
14	191785GS	BRACKET, Muffler			
15	697815	GASKET, Exhaust			
17	188301GS	MUFFLER			
18		SHCS, M6 - 1.0 x 20		(Purchase Locally)	
19	83083GS	SCREEN,Spark Arrest			
20	B4986GS	DECAL, Ground			
21	194153GS	KIT,Vibration Mount			
22	86494GS	SCREW,Wing M6 - 1.0 x 16			
23	86292GS	SCREW, 10-16 x 3/4, Self Drill			
24	191790GS	SHIELD, Heat			
25	191190GS	CAP			
26	74908GS	TAPTITE,M5-0.8 x 10 Lg.			
31	196830GS	DECAL, Caution Hot Muffler			
34	195422GS	COVER,RBC with Cap			
35	195207GS	KIT, Fuel Hose w/ Clips			
37	B2153GS	HHCS, 12 - 14 x 7/8" Self Driller			
40	194398GS	KIT, Fuel Tank Hardware		(Includes Qty of 4)	
41	192980GS	KIT,Valve,Tank Fuel Service			
44	193645GS	ASSY,Tank, Fuel		(Includes Items 41,50, 51 & 52)	
45	200095GS	CAP			
48	195373GS	WIRE,Ground			
50	188333GS	DECAL, Fuel Level			
51	194799GS	DECAL, Danger			
52	189235GS	DECAL, Operating Instructions			

Ref #	Part #	Description	Qty	Context Note	Foot Note
55	197798GS	DECAL, Fuel Shut Off			
58	191743AGS	ASSY, Control Panel		(see "Control Panel")	
59		NUT, Palnut		(Purchase Locally)	
900		ENGINE		Contact Engine Manufacturer	
	197980GS	MANUAL, Operator`s		Parts Not Illustrated	
	43483GS	PLUG, 250V, 20A		Parts Not Illustrated	
	MS3430	MANUAL, Engine		Parts Not Illustrated	
	BB3061BGS	BOTTLE OIL		Parts Not Illustrated	
	199384GS	DECAL, Family, CA, EVP		Parts Not Illustrated	
	198088GS	KIT, Decals Service		Parts Not Illustrated	
	100031	STABILIZER, Fuel		Optional Accessories	

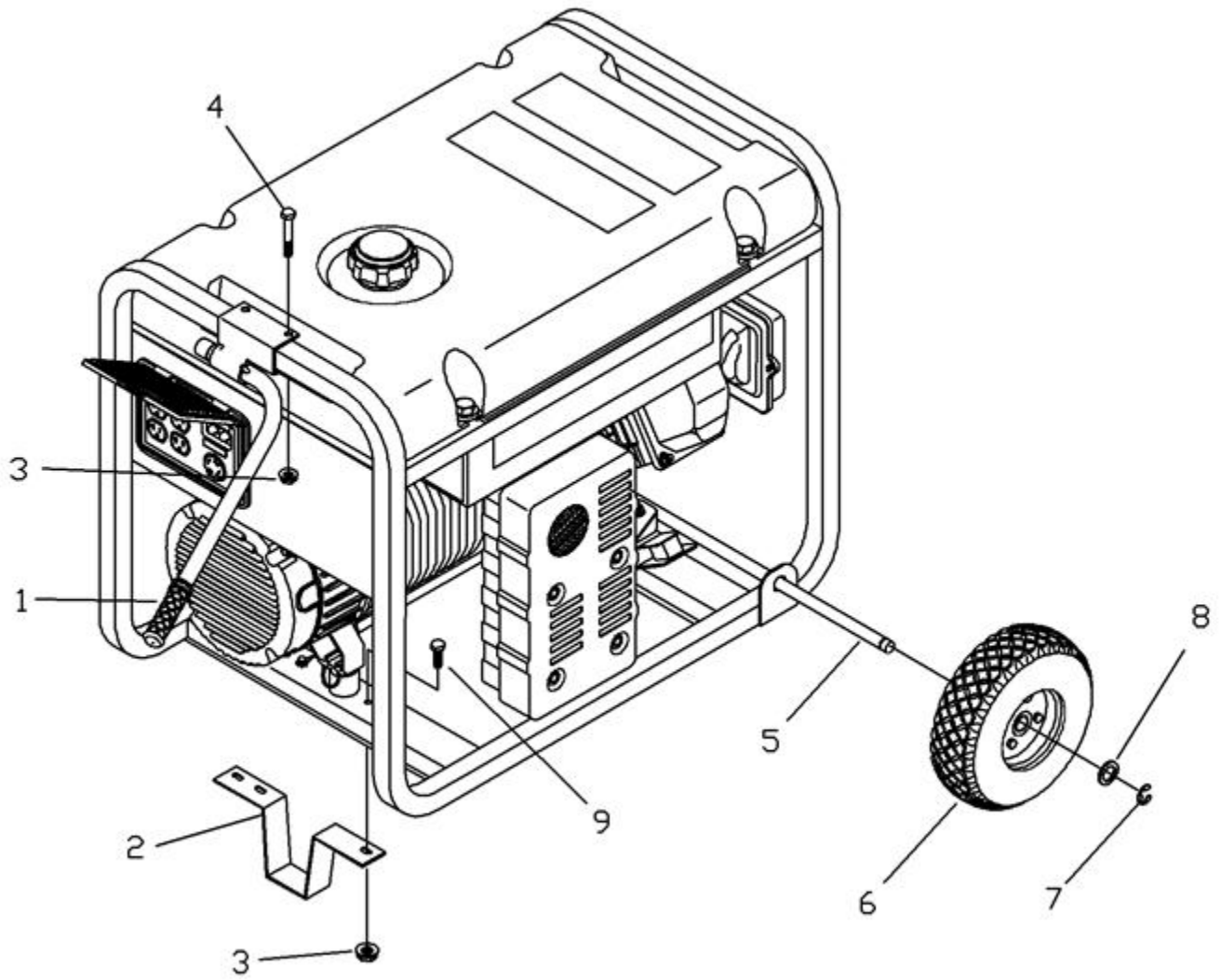
Ref #

Part #

Description

Qty

Context Note



Ref #	Part #	Description	Qty	Context Note
1	189715GS	ASSY, Handle		
2	B1764GS	LEG, Mounting		
3	52858GS	NUT, Locking Hex M8 - 1.25		
4	-----	HHCS, M8 - 1.25 x 45		(Purchase Locally)
5	191267NGS	AXLE		
6	B4966GS	WHEEL, 10" Diameter		
7	191265GS	E-RING		
8	-----	WASHER, Flat		(Purchase Locally)
9	-----	HHCS, M8 - 1.25 x 16		(Purchase Locally)
--	189718GS	GRIP, Handle		Not Illustrated