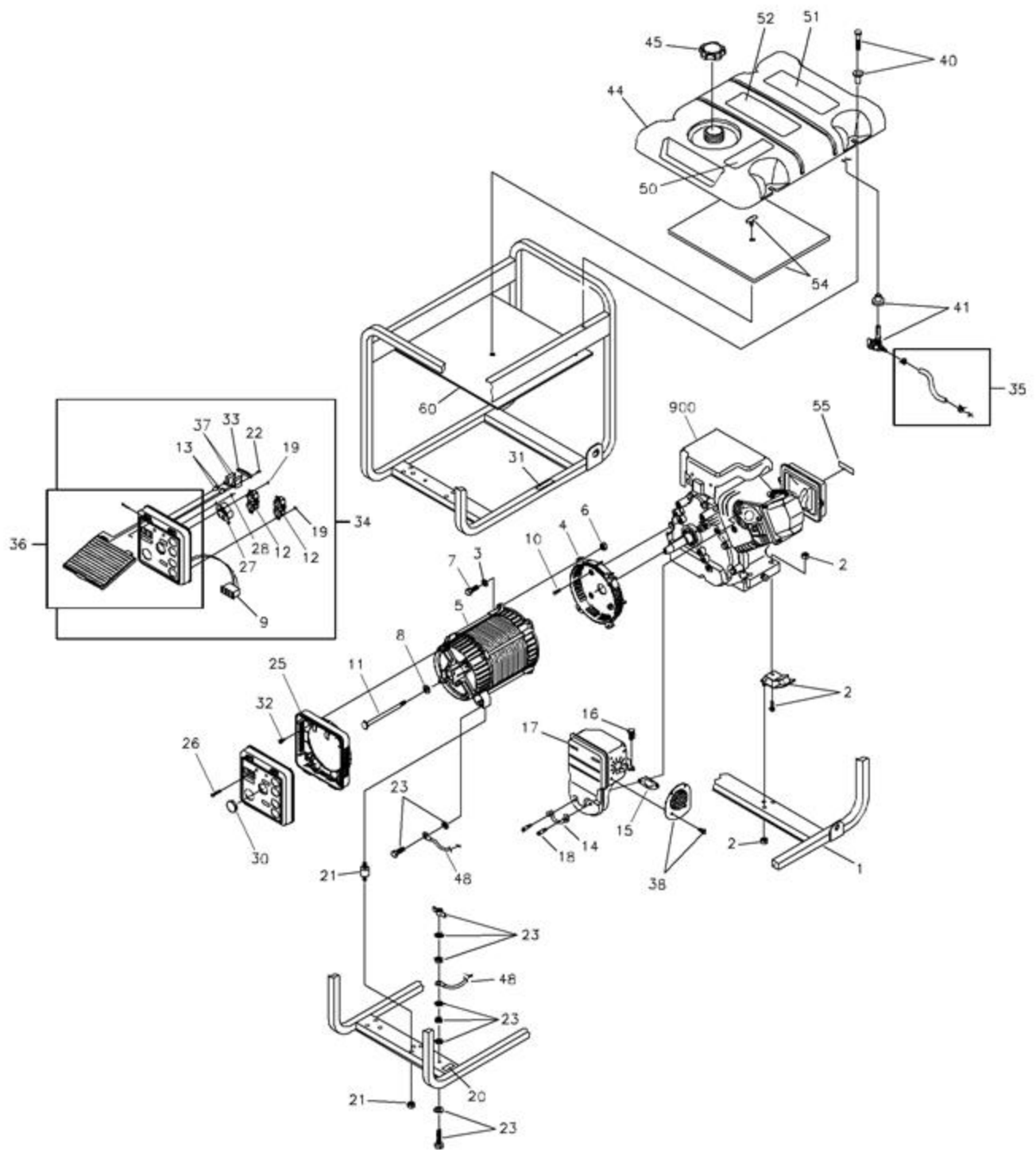
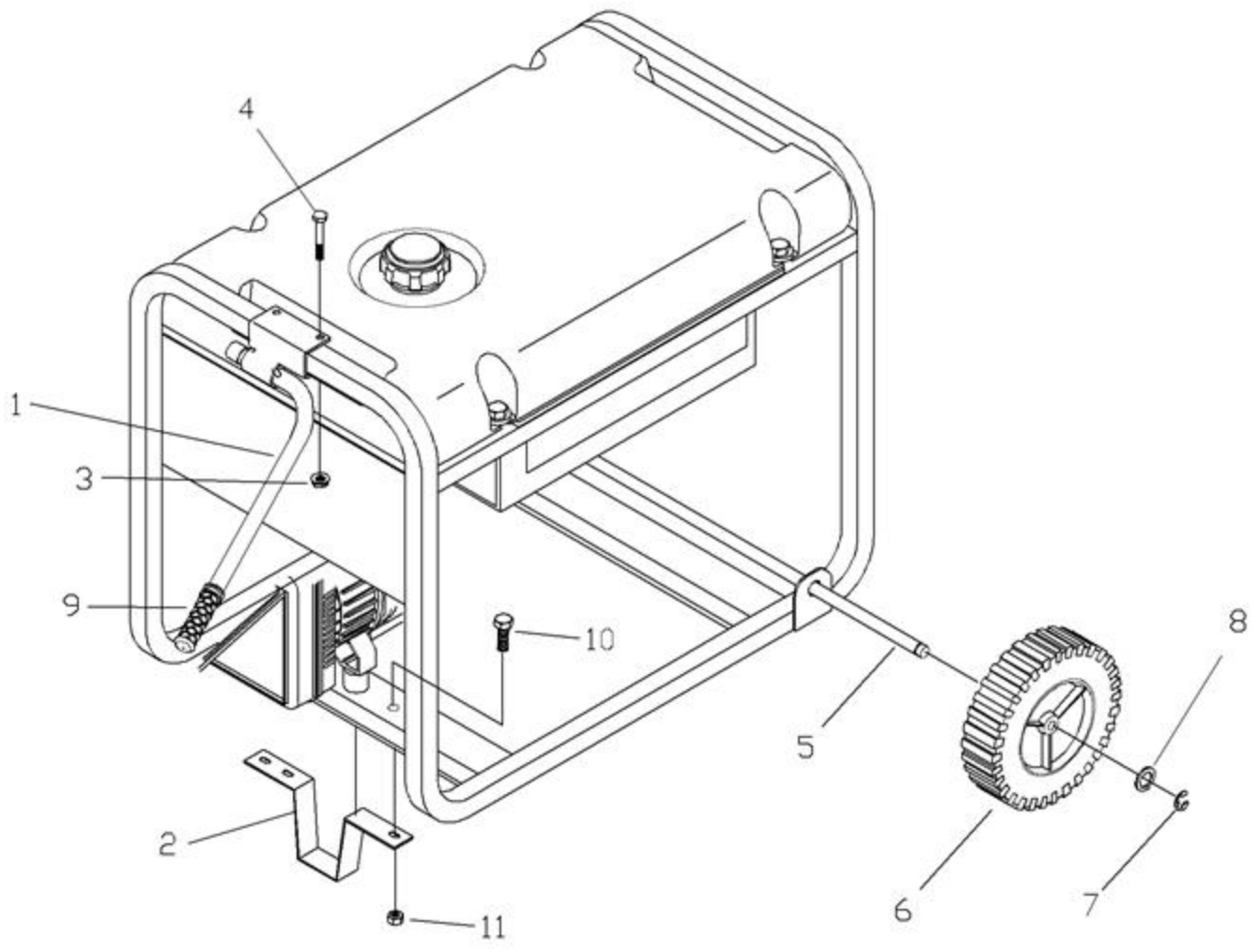


<b>Ref #</b>	<b>Part #</b>	<b>Description</b>	<b>Qty</b>	<b>Context Note</b>	<b>Foot Note</b>
1	186059GS	ADAPTER, Mounting, Alternator			
2	191043GS	ASSY, Rotor		(Includes Item 12)	
3	191042AGS	STATOR			
4	186060GS	RBC, with O-Ring (p/n 189197GS)			
5	86308CGS	HHCS, M6 - 1.0 x 130 SEMS			
6	91825GS	ASSY, Holder, Rectifier/Brush			
7	66849GS	TAPTITE, M5 - 0.8 x 16			
8	22694GS	RECEPTACLE, 6 pin			
9	81917GS	PIN, Roll, 4mm x 10			
10	193428AGS	ASSY, Wire, Ground			
11	74908GS	TAPTITE, M5 x 0.8 x 10			
12	65791GS	BEARING			



Ref #	Part #	Description	Qty	Context Note	Foot Note
1	J193438GS	KIT, Cradle			
2	194150GS	KIT, Vibration Mount, 45°			
3	-----	WASHER, Lock 5/16 - M8		(Purchase locally)	
4	190220GS	HOUSING, Engine Adapter			
5	NSP	ASSY, Alternator		(see "Alternator")	
6	-----	NUT, Hex, M8 - 1.25		(Purchase locally)	
7	-----	HHCS, M8 - 1.25 x 25		(Purchase locally)	
8	96796GS	WASHER, M8 Flat			
9	22695GS	HOUSING, Receptacle			
10	190274BGS	SBHCS, 3/8-16 x 1.0 Lg.			
11	47480GS	HHCS, 5/16-24 x 7			
12	68759GS	OUTLET, 120V, 20A			
13	84198GS	CAP, Circuit Breaker			
14	695400	TAB, Locking			
15	697255	GASKET, Exhaust			
16	695312	SCREW			
17	697252	ASSY, Muffler			
18	695399	SCREW, Shoulder			
19	-----	NUT, Pal, 5/32		(Purchase locally)	
20	B4986GS	DECAL, Ground, Green			
21	194153GS	KIT, Vibration Mount			
22	-----	PPPHS, 3.5 x 18mm		(Purchase locally)	
23	194154GS	KIT, Grounding Hardware			
25	191427GS	ADAPTER PANEL			
26	-----	SCREW, M5 - 2.24 x 50		(Purchase locally)	
27	43437GS	OUTLET, 120/240V, 30A			
28	-----	NUT, Pal, 3/16		(Purchase locally)	
30	191190GS	CAP			
31	196830GS	DECAL, Hot Muffler			
32	74908GS	TAPTITE, M5-0.8 x 10			
33	93857GS	BAR, Retaining			
34	192023GS	ASSY, Control Panel			
35	791745	KIT, Fuel Hose (cut to fit)			
36	194152GS	ASSY, Cover Panel			
37	75207GS	BREAKER, Circuit, 20A			
38	392390	SPARK ARRESTER			
40	194398GS	KIT, Fuel Tank Hardware		(Includes Qty of 4)	
41	192980GS	KIT, Valve, Fuel			
44	200883GS	ASSY, Tank, Fuel		(Includes Items 41, 50, 51 & 52)	

<b>Ref #</b>	<b>Part #</b>	<b>Description</b>	<b>Qty</b>	<b>Context Note</b>	<b>Foot Note</b>
45	200095GS	CAP, Fuel			
48	186790EGS	WIRE, Ground			
50	188333GS	DECAL, Gas Fill			
51	197445GS	DECAL, Danger			
52	189235GS	DECAL, Start Instructions			
54	194448GS	KIT, Insulation w/ Clip			
55	197798GS	DECAL, Fuel Shut-off			
60	193452GS	SHIELD, Heat			
900	-----	ENGINE		Contact Engine Manufacturer	
	200784GS	MANUAL, Operator`s		Not Illustrated	
--	BB3061GS	BOTTLE, Oil		Not Illustrated	
	188971GS	CORD, Ext.		Not Illustrated	
	200882GS	KIT, Decal Srv		Not Illustrated	
	100031	FUEL STABILIZER		Not Illustrated	



<b>Ref #</b>	<b>Part #</b>	<b>Description</b>	<b>Qty</b>	<b>Context Note</b>	<b>Foot Note</b>
1	189715GS	ASSY, Handle		(Includes Item 9)	
2	B1764GS	SUPPORT, Leg			
3	52858GS	NUT, Locking Hex M8 - 1.25			
4	-----	HHCS, M8 - 1.25 x 45		(Purchase locally)	
5	192006AGS	AXLE			
6	197061GS	WHEEL			
7	192050GS	E-RING			
8	-----	WASHER, Flat 1/2"		(Purchase locally)	
9	189718GS	GRIP			
10	-----	HHCS, M8 - 1.25 x 16		(Purchase locally)	
11	67989GS	NUT, M8 Flange Serrated			