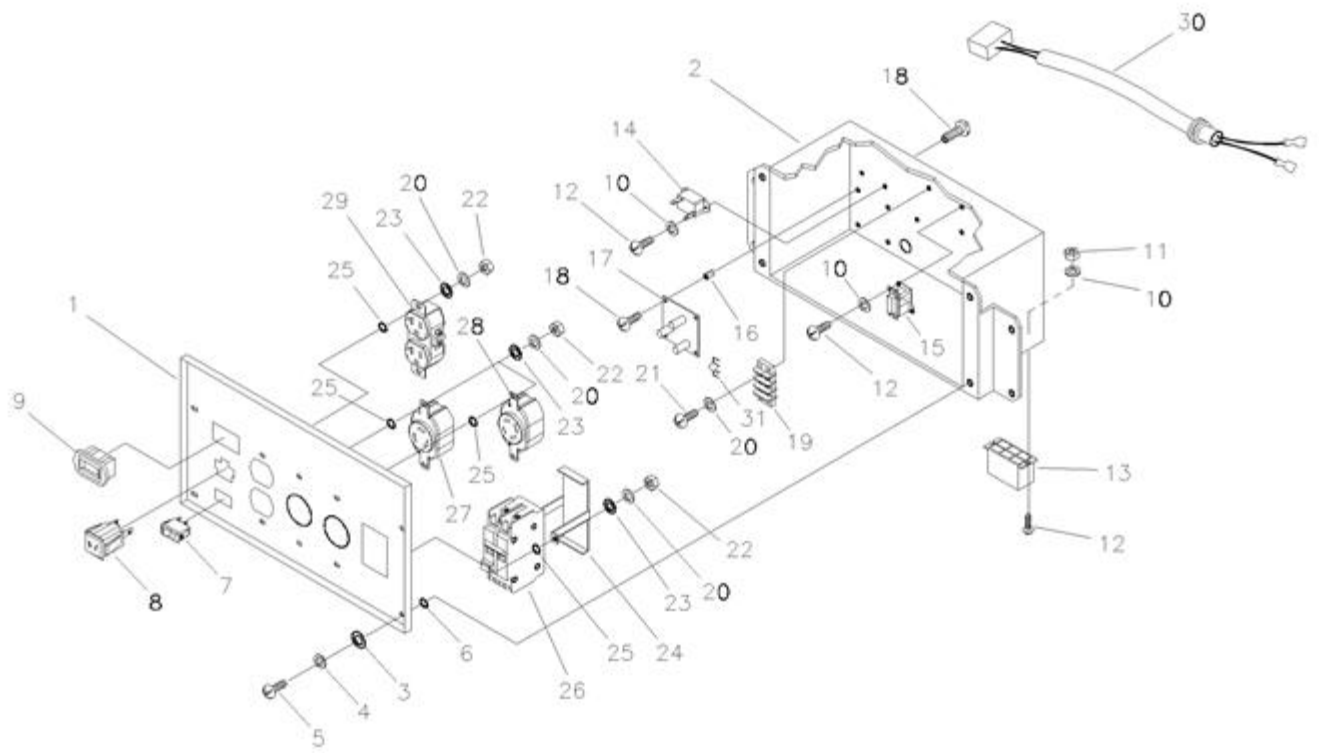
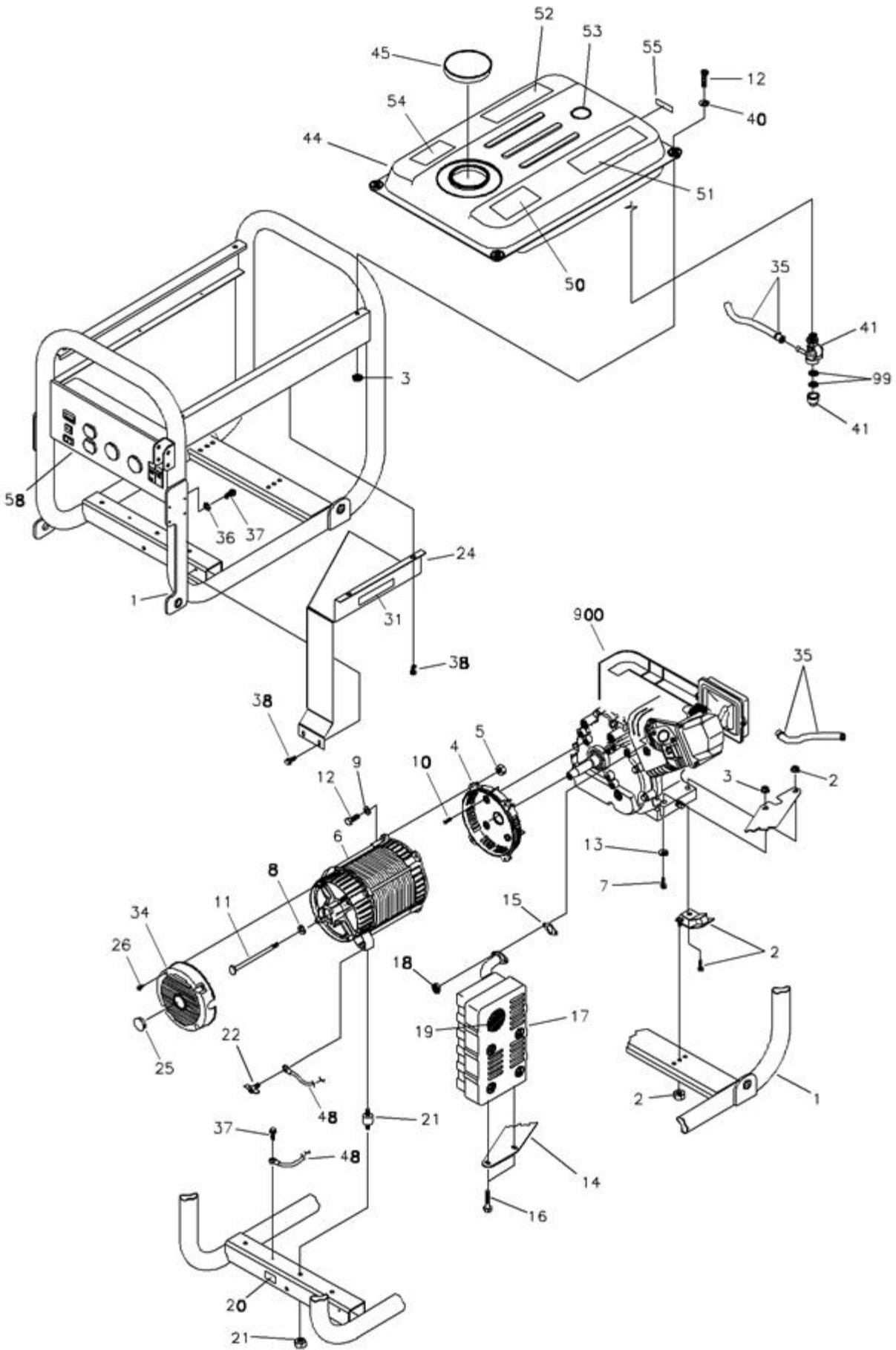


<b>Ref #</b>	<b>Part #</b>	<b>Description</b>	<b>Qty</b>	<b>Context</b>	<b>Note</b>	<b>Foot</b>	<b>Note</b>
1	186059GS	ADAPTER, Mounting, Alternator					
2	193034GS	ROTOR, (Includes Item #18)					
3	193035AGS	STATOR					
4	186060GS	RBC, with O-Ring (p/n 189197)					
5	86308GS	HHCJ., M6 - 1.0 x 115 SEMS					
6	66386GS	ASSY, Holder, Brush					
7	66849GS	TAPTITE, M5 - 0.8 x 16					
8	22694GS	RECEPTACLE, 6 pin					
9	81917GS	PIN, Roll, 4mm x 10					
10	193428AGS	WIRE-A, Ground					
13	193157GS	HARNESS, Wire, Power					
14	189769GS	REGULATOR					
15	65795GS	RECTIFIER					
16	66849AGS	TAPTITE, M5 - 0.8 x 20					
17	192403XGS	WIRE, Ground					
18	65791GS	BEARING					

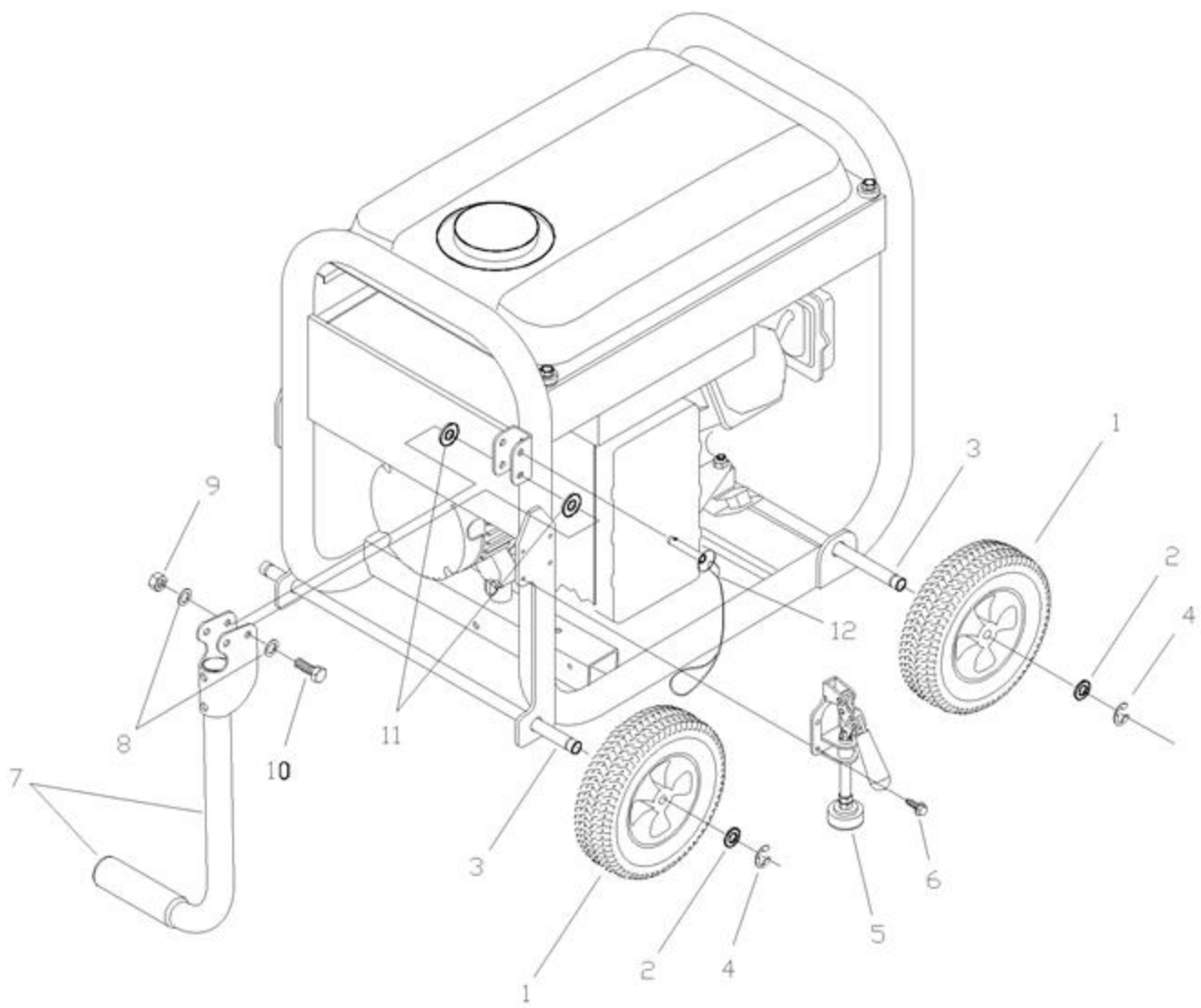


Ref #	Part #	Description	Qty	Context Note	Foot Note
1	B192832GS	PANEL, Control			
2	B192835GS	BOX, Control Panel			
3	-----	WASHER, Flat, #10 - M5		Purchase locally	
4	-----	LOCKWASHER, M5		Purchase locally	
5	-----	PPHMS, M5 - 0.8 x 12		Purchase locally	
6	-----	WASHER, M6 - 1/4, Int. Shakeproof		Purchase locally	
7	82538GS	SWITCH, Rocker			
8	90418GS	OUTLET, 12VDC, Snap			
9	202602GS	HOUR METER			
10	-----	LOCKWASHER, M3		Purchase locally	
11	-----	NUT, M3 - 0.5		Purchase locally	
12	-----	PHMS, M3 - 0.5 x 10		Purchase locally	
13	22694GS	HOUSING, Receptacle			
14	87962GS	CIRCUIT BREAKER, 12V, 10A			
15	84028GS	TRANSFORMER, Idle Cnt			
16	64525GS	STANDOFF, Hex			
17	193362GS	PCB, Idle Control			
18	-----	PHTS, #6-32 x 3/8		Purchase locally	
19	B5052GS	STRIP, Terminal			
20	-----	LOCKWASHER, M4		Purchase locally	
21	-----	PPHMS, M4 - 0.7 x 16		Purchase locally	
22	-----	NUT, M4 - 0.7		Purchase locally	
23	-----	WASHER, Flat, M4		Purchase locally	
24	192931GS	BRACKET, GFCI Breaker			
25	-----	WASHER, Shakeproof, Int. #8		Purchase locally	
26	192828BGS	BREAKER, Circuit, GFCI, 20A			
27	68868GS	OUTLET, 120V, 30A			
28	68867GS	OUTLET, 120/240V, 20A			
29	68759GS	OUTLET, 120V, 20A, Duplex			
30	193036GS	HARNESS, Wire			
31	46669GS	JUMPER, Terminal Block			



Ref #	Part #	Description	Qty	Context Note	Foot Note
1	B204845GS	CRADLE (Includes #20)			
2	194150GS	KIT, Mount, Vibration, 45°			
3	67989GS	NUT, M8 Flange Serrated			
4	190220GS	HOUSING, Engine Adapter			
5	-----	NUT, Hex M8 - 1.25		Purchase locally	
6	NSP	ASSY, Alternator (see page 5)			
7	-----	TPHMS, M8 - 1.25 x 35		Purchase locally	
8	96796GS	WASHER, 8.4 x 22.2 x 3			
9	-----	WASHER, Lock 5/16 M8		Purchase locally	
10	190274DGS	SCREW, 3/8-16 x 7/8			
11	53122GS	HHCS, 5/16-24 x 6-1/2			
12	-----	HHCS, M8 1.25 x 25		Purchase locally	
13	-----	WASHER, 5/16 Flat		Purchase locally	
14	193021GS	BRACKET, Muffler			
15	710082	GASKET, Exhaust			
16	-----	HHCS, M6 - 1.0 x 12		Purchase locally	
17	192898GS	MUFFLER			
18	710090	NUT			
19	83083GS	SCREEN, Spark Arrest			
20	B4986GS	DECAL, Ground			
21	194153GS	KIT, Vibration Mount			
22	86494GS	SCREW, Wing M6 1.0 x 16			
24	J193053GS	SHIELD, Heat			
25	191190GS	CAP			
26	74908GS	TAPTITE, M5-0.8 x 10			
31	200310GS	DECAL, Warning Exhaust			
34	195422GS	COVER, RBC, Plastic with Cap			
35	791745	KIT, Fuel Hose (cut to fit)			
36	-----	WASHER, M6 - 1/4 Int. Shakeproof		Purchase locally	
37	B2153GS	SCREW, #10 Self Drilling			
38	192376GS	SCREW, 12-24 x 1/2 THD Forming			
40	-----	WASHER, Flat, 5/16 - M8		Purchase locally	
41	193272GS	VALVE, Tank			
44	195988GS	ASSY., Tank, Fuel 4.5-Gallon			
45	189135GS	CAP, Fuel, Vented			
48	195373GS	WIRE, Ground			
50	1888333GS	DECAL, Fuel Level Instructions			

<b>Ref #</b>	<b>Part #</b>	<b>Description</b>	<b>Qty</b>	<b>Context Note</b>	<b>Foot Note</b>
51	194984GS	DECAL, Danger			
52	94480GS	DECAL, Start Instructions			
53	189136GS	GAUGE, Fuel			
54	202997GS	DECAL, CO Warning			
55	197797GS	DECAL, Fuel Shutoff			
58	195512GS	ASSY, Control Panel			
99	189759GS	KIT, Fuel Repair Valve			
900	-----	ENGINE		Contact Engine Manufacturer	
	65787GS	CABLE Battery Charge		Parts Not Illustrated	
	43483GS	PLUG, 250V 20A, 4 Prong		Parts Not Illustrated	
	100523GS	PLUG, 125V 30A, 3 Prong		Parts Not Illustrated	
	BB3061GS	OIL BOTTLE		Parts Not Illustrated	
	204727GS	MANUAL, Operator's		Parts Not Illustrated	
	205349GS	KIT, Decals, Service		Parts Not Illustrated	





<b>Ref #</b>	<b>Part #</b>	<b>Description</b>	<b>Qty</b>	<b>Context Note</b>	<b>Foot Note</b>
1	203273GS	WHEEL			
2	-----	WASHER, 5/8"		Purchase locally	
3	191267PGS	AXLE			
4	191265GS	E-RING			
5	205135GS	ASSY, Brake			
6	-----	SCREW, 1/4-20 x 3/8		Purchase locally	
7	B193166GS	ASSY, Handle w/Grip			
	192477GS	GRIP			
8	-----	WASHER, Flat, 5/16 - M8		Purchase locally	
9	-----	NUT, M8 - 1.25, Nylok		Purchase locally	
10	-----	HHCS, M8 - 1.25 x 50		Purchase locally	
11	-----	WASHER, 1.2 x 0.346 x 0.03, Nylon		Purchase locally	
12	B4135GS	PIN, Handle			
	204671GS	SUBKIT, Hardware		Items Not Illustrated	