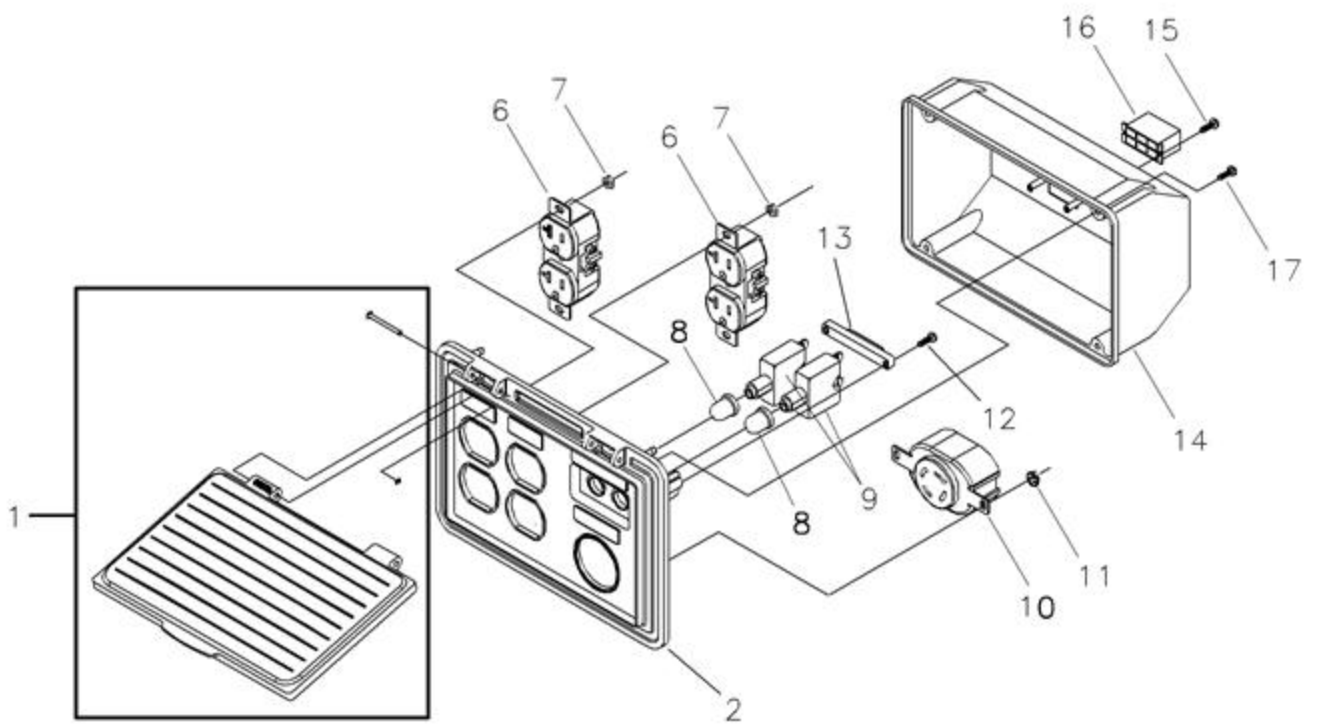
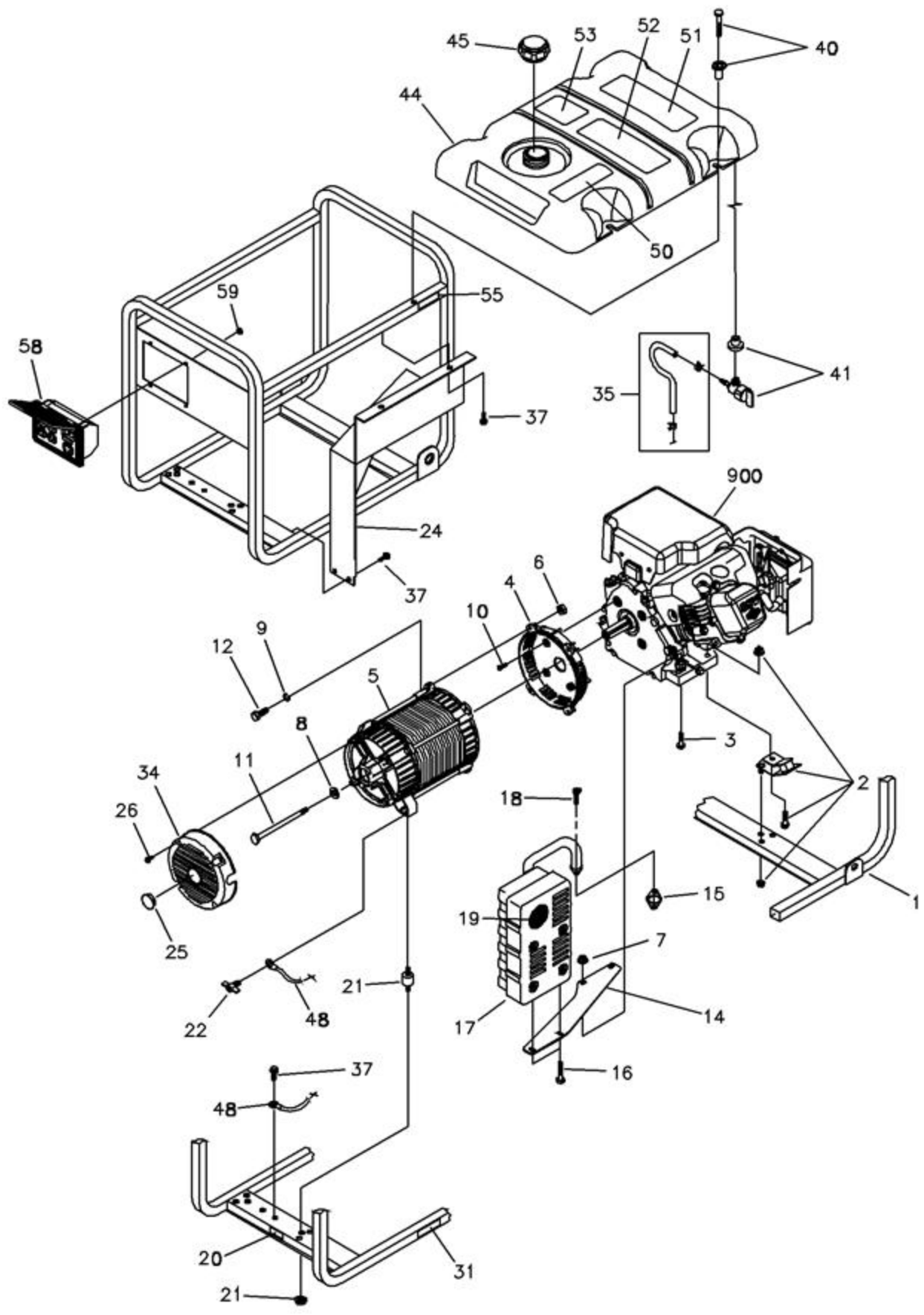


| Ref # | Part # | Description | Qty | Context | Note | Foot | Note |
|--------------|---------------|-----------------------------------|------------|----------------|-------------|-------------|-------------|
| 1 | 186059GS | ADAPTER, Mounting, Alternator | | | | | |
| 2 | 191685GS | ROTOR | | | | | |
| 3 | 191686AGS | STATOR | | | | | |
| 4 | 186060GS | RBC, with O-Ring (p/n 189197) | | | | | |
| 5 | 86308GS | HHCS, M6 - 1.0 x 115 SEMS | | | | | |
| 6 | 91825GS | ASSEMBLY, Holder, Rectifier/Brush | | | | | |
| 7 | 66849GS | TAPTITE, M5 - 0.8 x 16 | | | | | |
| 8 | 22694GS | RECEPTACLE, 6 pin | | | | | |
| 9 | 81917GS | PIN, Roll, 4mm x 10 | | | | | |
| 10 | 193428AGS | WIRE-A, Ground | | | | | |
| 13 | 194274GS | HARNESS, Wire, Power | | | | | |
| 14 | 65791GS | BEARING | | | | | |

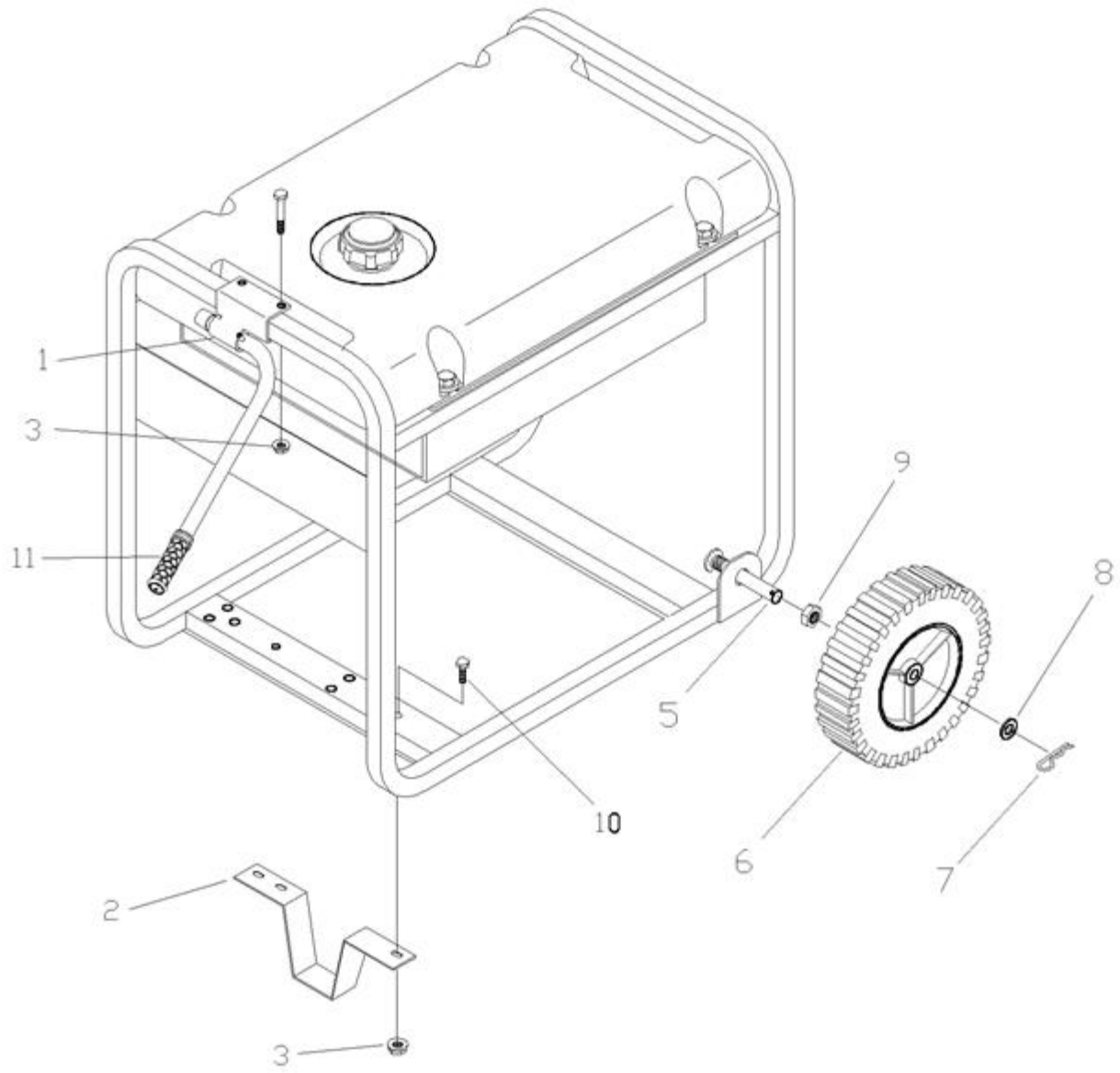


| Ref # | Part # | Description | Qty | Context Note | Foot Note |
|--------------|---------------|-------------------------------|------------|---------------------|------------------|
| 1 | 195112GS | KIT, Cover Control Panel | | | |
| 2 | 188889AGS | CONTROL PANEL, Compact | | | |
| 6 | 68759GS | OUTLET, 120V, 20A, Duplex | | | |
| 7 | | NUT, Palnut, Pushnut, 5/32 | | Purchase locally | |
| 8 | 84198GS | CAP, Breaker, Circuit | | | |
| 9 | 75207DGS | BREAKER, Circuit | | | |
| 10 | 68867GS | OUTLET, 120/240V Locking, 20A | | | |
| 11 | | NUT, Palnut, Pushnut, 3/16 | | Purchase locally | |
| 12 | | PPPHS, M3 - 0.5 x 18 | | Purchase locally | |
| 13 | 93857GS | BAR, Retaining | | | |
| 14 | 188890GS | COVER, Back, Control Panel | | | |
| 15 | | SCREW, 3 x 18, Tapping | | Purchase locally | |
| 16 | 22694GS | HOUSING, Receptacle | | | |
| 17 | | SCREW, 3.5 x 14, Tapping | | Purchase locally | |



| Ref # | Part # | Description | Qty | Context Note | Foot Note |
|-------|-----------|---|-----|------------------|-----------|
| 1 | M194779GS | CRADLE | | | |
| 2 | 194150GS | KIT, Vibration Mount | | | |
| 3 | | TPHMS, M8 1.25 x 35 | | Purchase locally | |
| 4 | 186058AGS | HOUSING, Engine Adapter | | | |
| 5 | NSP | ASSY, Alternator (see page 4) | | | |
| 6 | | NUT, Hex, M8 - 1.25 | | Purchase locally | |
| 7 | 67989GS | NUT, M8 Flange Serrated | | | |
| 8 | 96796GS | WASHER, M8 Flat | | | |
| 9 | | WASHER, Lock M8 | | Purchase locally | |
| 10 | 86307GS | HHCS, 5/16-24 x 3/4, SEMS | | | |
| 11 | 24823GS | HHCS, 5/16-24 x 7-7/8" | | | |
| 12 | | HHCS, M8 - 1.25 x 25 | | Purchase locally | |
| 14 | 191785GS | BRACKET, Muffler | | | |
| 15 | 697815 | GASKET, Exhaust | | | |
| 16 | | HHCS, M6 1.0 x 12 with Lock Washer | | Purchase locally | |
| 17 | 188301GS | MUFFLER | | | |
| 18 | | SHCS, M6 - 1.0 x 20 | | Purchase locally | |
| 19 | 83083GS | SCREEN, Spark Arrest | | | |
| 20 | B4986GS | DECAL, Ground | | | |
| 21 | 194153GS | KIT, Vibration Mount | | | |
| 22 | 86494GS | SCREW, Wing M6 - 1.0 x 16 | | | |
| 24 | 191790GS | SHIELD, Heat | | | |
| 25 | 191190GS | CAP | | | |
| 26 | 74908GS | TAPTITE, M5-0.8 x 10 | | | |
| 31 | 196830GS | DECAL, Warning Exhaust | | | |
| 34 | 195422GS | COVER, RBC with Cap | | | |
| 35 | 195207GS | KIT, Fuel Hose with Clamp | | | |
| 37 | B2153GS | HHCS, 12 - 14 x 7/8" Self Driller | | | |
| 40 | 194398GS | KIT, Fuel Tank Hardware | | | |
| 41 | 192980GS | KIT, Valve, Tank | | | |
| 44 | 193645GS | ASSY., Tank, Fuel Service (includes Items 41, 50, 51, 52 & 53) | | | |
| 45 | 200095GS | CAP, Fuel | | | |
| 48 | 195373GS | WIRE, Ground | | | |
| 50 | 188333GS | DECAL, Fuel Level | | | |
| 51 | 194799GS | DECAL, Danger | | | |
| 52 | 189235GS | DECAL, Operating Instructions | | | |
| 53 | 202997GS | DECAL, CO Warning | | | |
| 55 | 197798GS | DECAL, Fuel Shut Off | | | |

| Ref # | Part # | Description | Qty | Context Note | Foot Note |
|--------------|---------------|----------------------|------------|--------------------------------|------------------|
| 58 | 191743AGS | ASSY, Control Panel | | | |
| 59 | | NUT, Palnut, 3/16" | | Purchase locally | |
| 900 | | ENGINE | | Contact Engine Manufacturer | |
| | 203476GS | MANUAL, Operator's | | Parts Not Illustrated | |
| | BB3061BGS | OIL BOTTLE | | Parts Not Illustrated | |
| | 195576GS | KIT, Decals, Service | | Parts Not Illustrated | |



| Ref # | Part # | Description | Qty | Context Note | Foot Note |
|--------------|---------------|---------------------------------|------------|-----------------------|------------------|
| 1 | 189715GS | ASSY, Handle (Includes Item 11) | | | |
| 2 | 94034GS | LEG, Mounting | | | |
| 3 | 67989GS | NUT, M8 Flange Serrated | | | |
| 4 | | HHCS, M8 - 1.25 x 45 | | Purchase locally | |
| 5 | 93728GS | AXLE | | | |
| 6 | 197061GS | WHEEL | | | |
| 7 | 87005AGS | PIN | | | |
| 8 | | WASHER, Flat M12 | | Purchase locally | |
| 9 | 94222QGS | NUT, 5/8 - 18 Jam Lock | | | |
| 10 | | HHCS, M8 - 1.25 x 20 | | Purchase locally | |
| 11 | 189718GS | GRIP, Handle | | | |
| | 191932GS | SUBKIT, Hardware | | Parts Not Illustrated | |