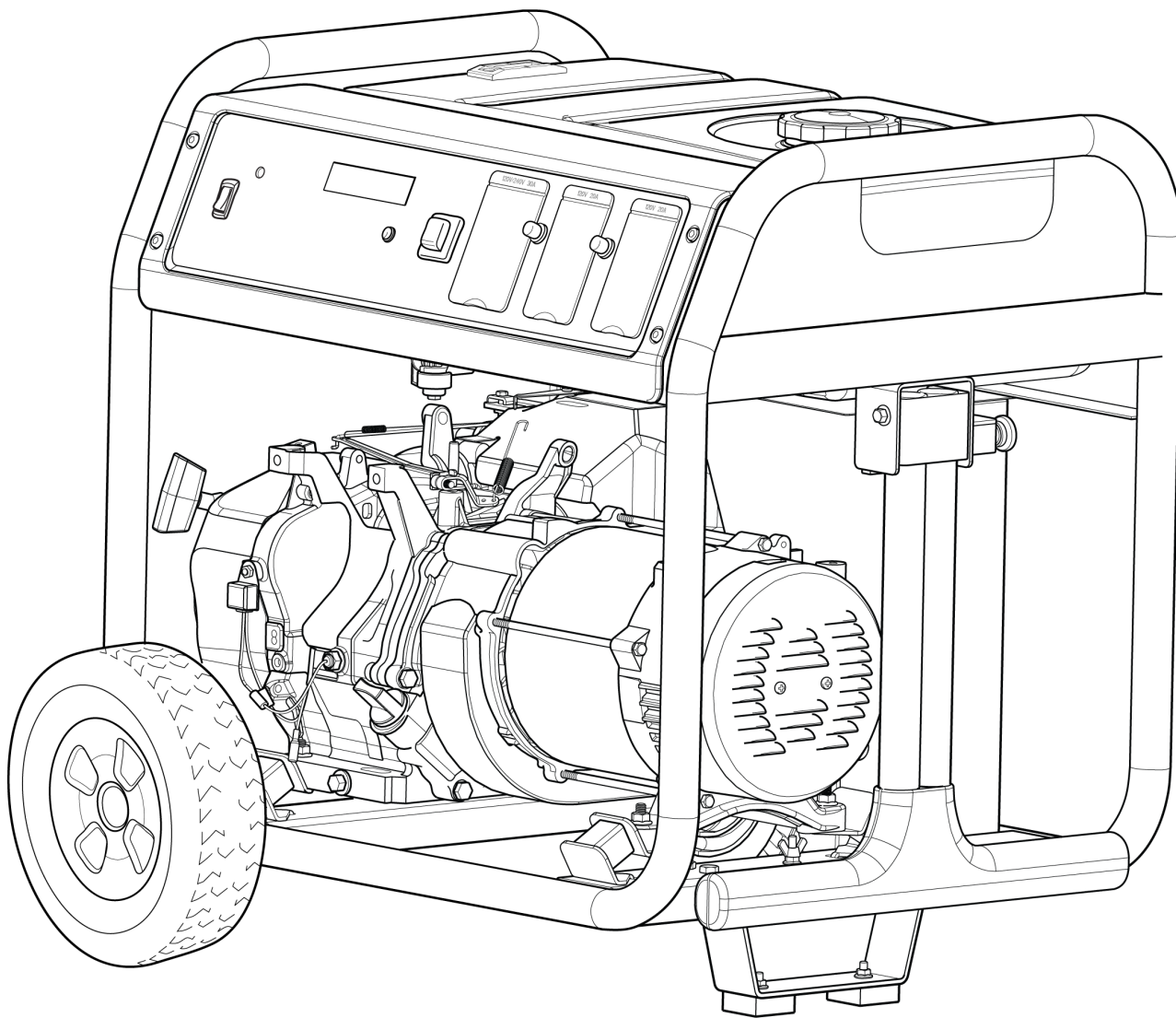




# Parts Manual

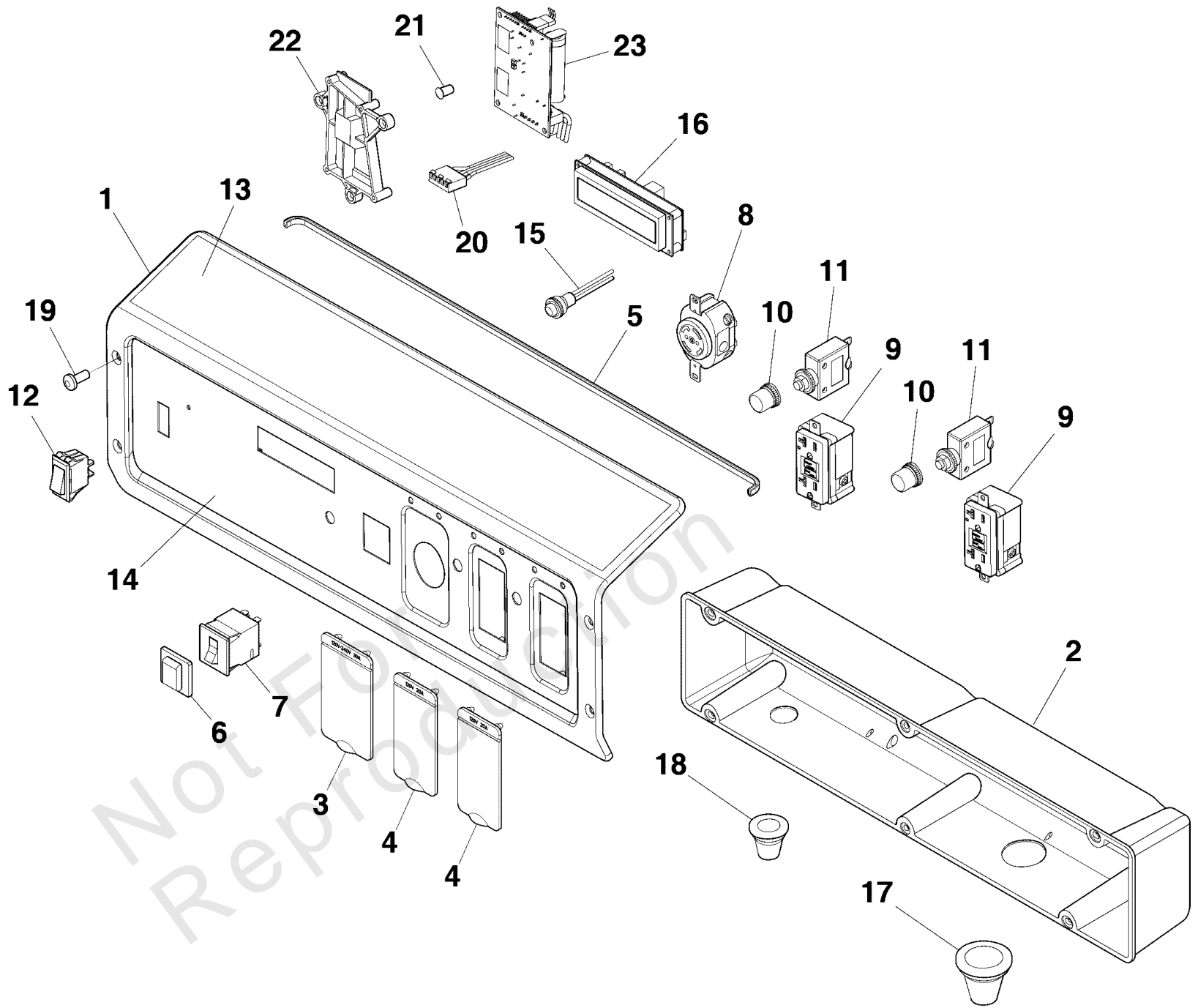
Mfg. No: 030728-00  
6,250 Watt Storm Generator, Briggs & Stratton



# Control Panel

Note: Unless noted otherwise, use the standard torque specifications

Mfg. No: 030728-00



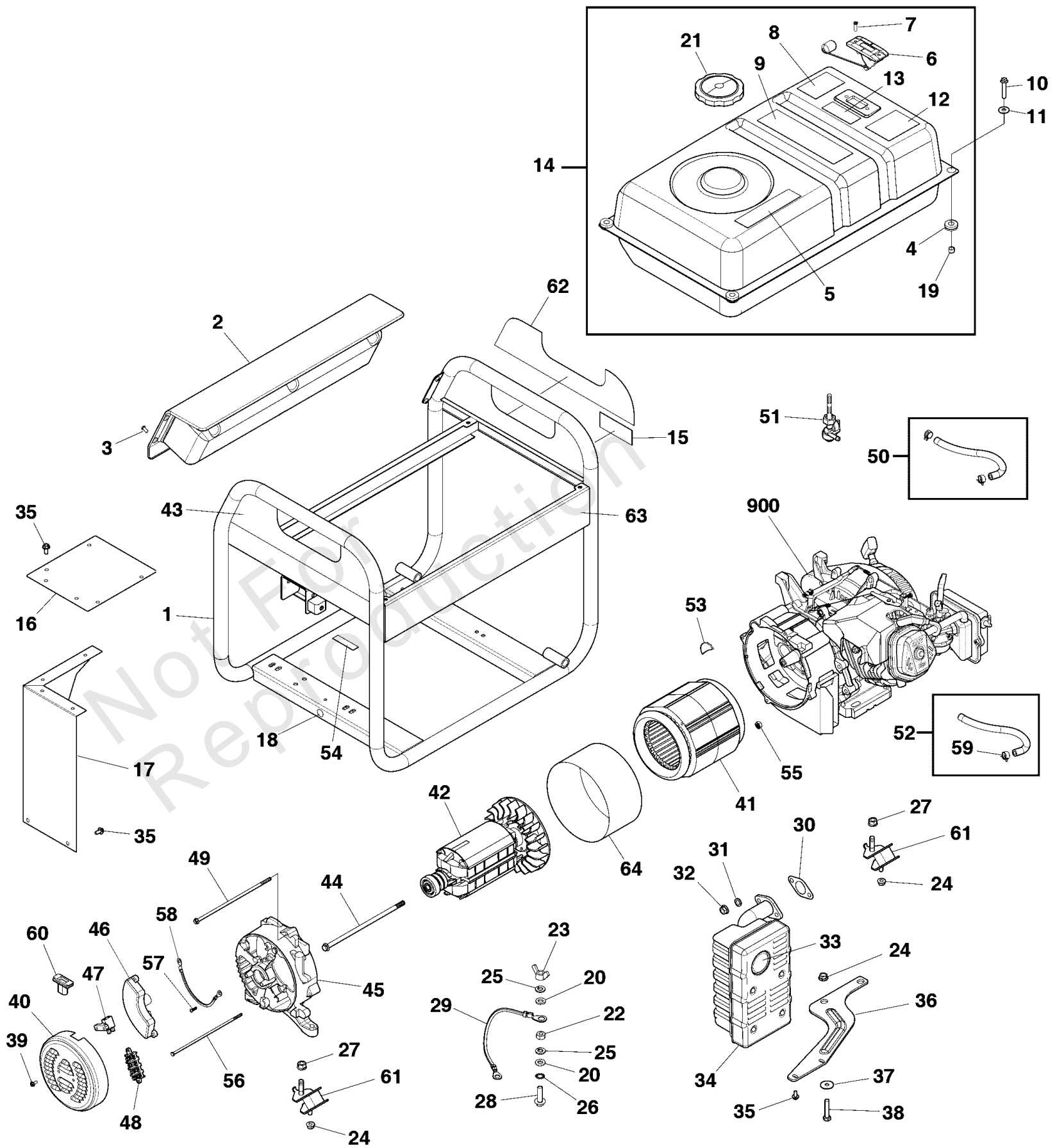
## Control Panel

REF NO	PART NO	QTY	DESCRIPTION
1	772210		PANEL-CONTROL -(Includes Item 13 & 14)
2	772214		BOX-CONTROL-PANEL
3	319477GS		COVER-OUTLET
4	319476GS		COVER-OUTLET
5	319459GS		TRIM-EDGE
6	191481GS		BOOT, Breaker Circuit
7	319540GS		BREAKER-CIRCUIT
8	43437GS		OUTLET, 120/240V Locking, 30A
9	709526		OUTLET-GFCI
10	312636GS		BOOT, Circuit Breaker
11	209872GS		BREAKER, Circuit, 20A
12	319525GS		SWITCH-ON/OFF
13	772212		DECAL
14	772216		DECAL
15	319463GS		BUTTON-SELECT
16	318458GS		POWER MONITOR
17	319529GS		GROMMET
18	319530GS		GROMMET
19	772229		SCREW
20	772215		WIRE-HARNESS-CO
21	772217		LIGHT-PIPE
22	772213		BRACKET-MODULE
23	772211		MODULE-CO

# Main Unit

Note: Unless noted otherwise, use the standard torque specifications

Mfg. No: 030728-00



## Main Unit

REF NO	PART NO	QTY	DESCRIPTION
1	772226		CRADLE -(Includes Item 15, 18 & 63)
2	772230		PANEL-CONTROL
3	772229		SCREW
4	189134GS		GROMMET, Rubber
5	772237		DECAL
6	704183		GAUGE-FUEL
7	314440GS		SCREW
8	202997GS		DECAL, Warning, CO
9	772233		DECAL
10	703805		SCREW
11	312005GS		WASHER
12	202997GS		DECAL, Warning, CO
13	703264		DECAL
14	772227		TANK-FUEL
15	772236		DECAL
16	319456GS		HEATSHIELD
17	319455GS		HEATSHIELD
18	704331		DECAL
19	189137GS		SPACER
20	-----		WASHER, Flat M6
21	319587GS		CAP-FUEL
22	-----		NUT, Hex, M6
23	87680GS		NUT, M6 - 1.0 Wing
24	-----		* NUT, Flange Lock, M8
25	-----		* WASHER, Lock, M6
26	-----		* WASHER, Shakeproof, Ext M6
27	-----		* NUT, Flange Lock, M10
28	-----		HHCS, M6 - 1.0 x 25
29	706165		WIRE
30	813085GS		GASKET
31	-----		* WASHER, Lock, M8
32	-----		* NUT, Hex, M8-1.25
33	83083GS		SCREEN, Spark Arrest
34	192569GS		MUFFLER
35	706152		SCREW, M6 x 12
36	319457GS		BRACKET, Muffler
37	-----		* WASHER, Flat M8
38	57821GS		CAPSCREW, Hex Head, M8-1.25 x 40
39	312909GS		SCREW
40	312870GS		COVER, Rear Bearing
41	706903		STATOR
42	706902		ROTOR
43	772232		DECAL
44	703910		BOLT
45	312866GS		SUPPORT, Bearing
46	312871GS		REGULATOR-VOLTAGE
47	312904GS		BRUSH ASSEMBLY

### Footnotes:

(Note:\* Verify your specific engine model, reference the ID Tag located on your engine.) (Refer to your local Briggs & Stratton distributor for parts and service.)  
\* Items without part numbers are common fasteners and are available at your local hardware store.

## Main Unit

REF NO	PART NO	QTY	DESCRIPTION
48	312921GS		BLOCK, Junction
49	703909		BOLT
50	791745		LINE, Fuel -(Cut to Fit)
51	209417GS		VALVE, Fuel
52	315017GS		HOSE, Vapor (cut to fit)
53	706376		COVER-RUBBER
54	706535		PAD-RUBBER
55	312916GS		NUT
56	703908		BOLT
57	312911GS		SCREW
58	706150		WIRE
59	314955GS		CLAMP
60	703013		COVER, Alternator, Rubber
61	319451GS		MOUNT-VIBRATION
62	772228		DECAL
63	772231		DECAL
64	703911		BAND-STATOR
900	25P132-0006-G1		ENGINE
--	771800		CORDSET -(Not Illustrated)

---

**Footnotes:**

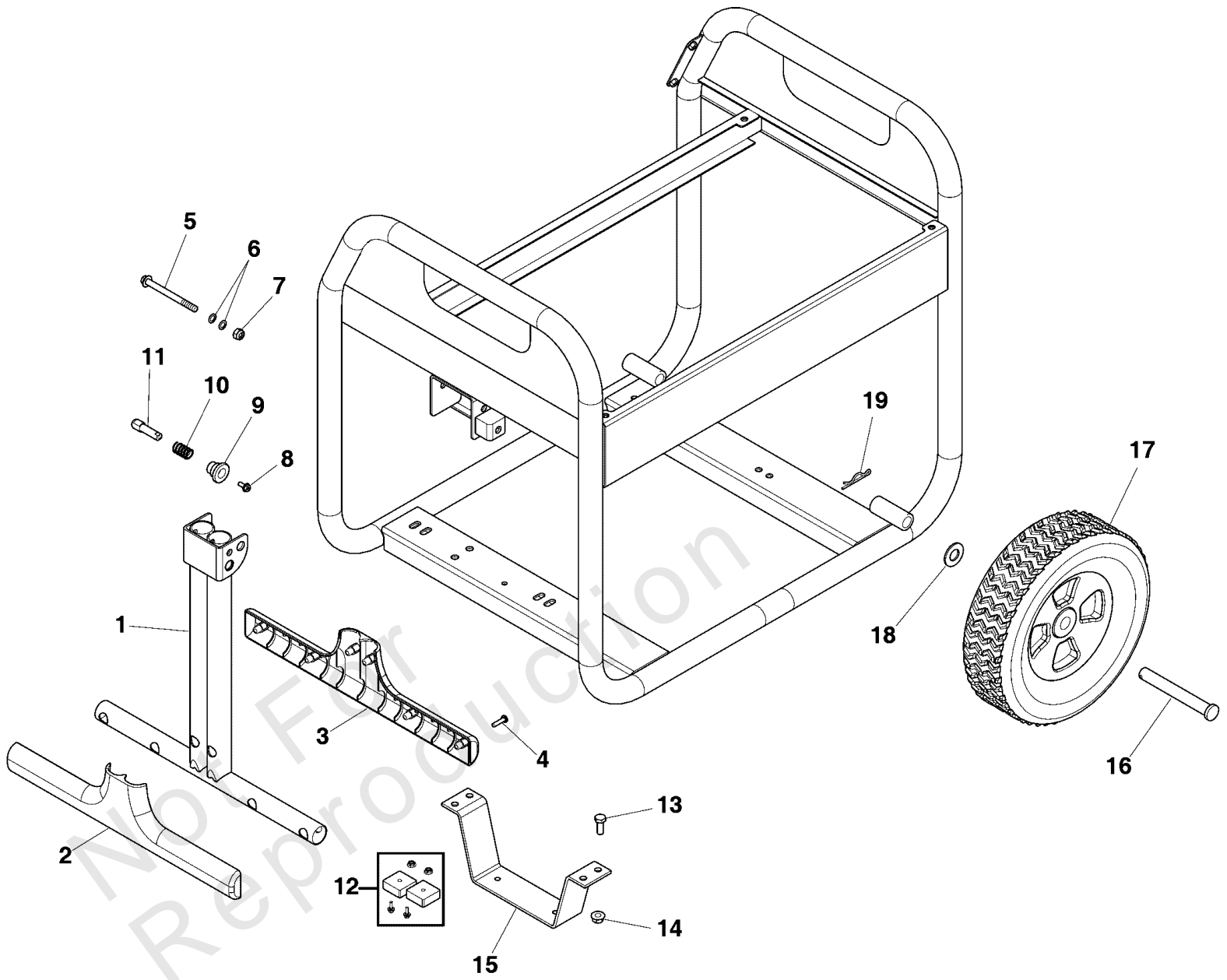
(Note:\* Verify your specific engine model, reference the ID Tag located on your engine.) (Refer to your local Briggs & Stratton distributor for parts and service.)

\* Items without part numbers are common fasteners and are available at your local hardware store.

# Wheel Kit (80005137)

Note: Unless noted otherwise, use the standard torque specifications

Mfg. No: 030728-00



## Wheel Kit (80005137)

REF NO	PART NO	QTY	DESCRIPTION
1	319396GS	1	HANDLE
2	319360GS	1	GRIP-HANDLE
3	319361GS	1	GRIP-HANDLE
4	75477GS	1	PPHMS, M5 - 0.8 x 20
5	318677GS	1	BOLT
6	96716GS	1	WASHER, Nylon
7	49820GS	1	NUT, Nylok, M8 - 1.25
8	207825GS	1	BOLT-M5-6 x 16
9	319453GS	1	KNOB
10	319452GS	1	SPRING
11	319454GS	1	PIN
12	319285GS	1	MOUNT-VIBRATION
13	771804	1	BOLT
14	67989GS	1	NUT, M8 Flange Serrated
15	319642GS	1	SUPPORT-LEG
16	703813	1	AXLE
17	704145	1	WHEEL
18	22247GS	1	WASHER, Flat, 5/8"
19	316510GS	1	PIN-HAIR

Not For Reproduction



