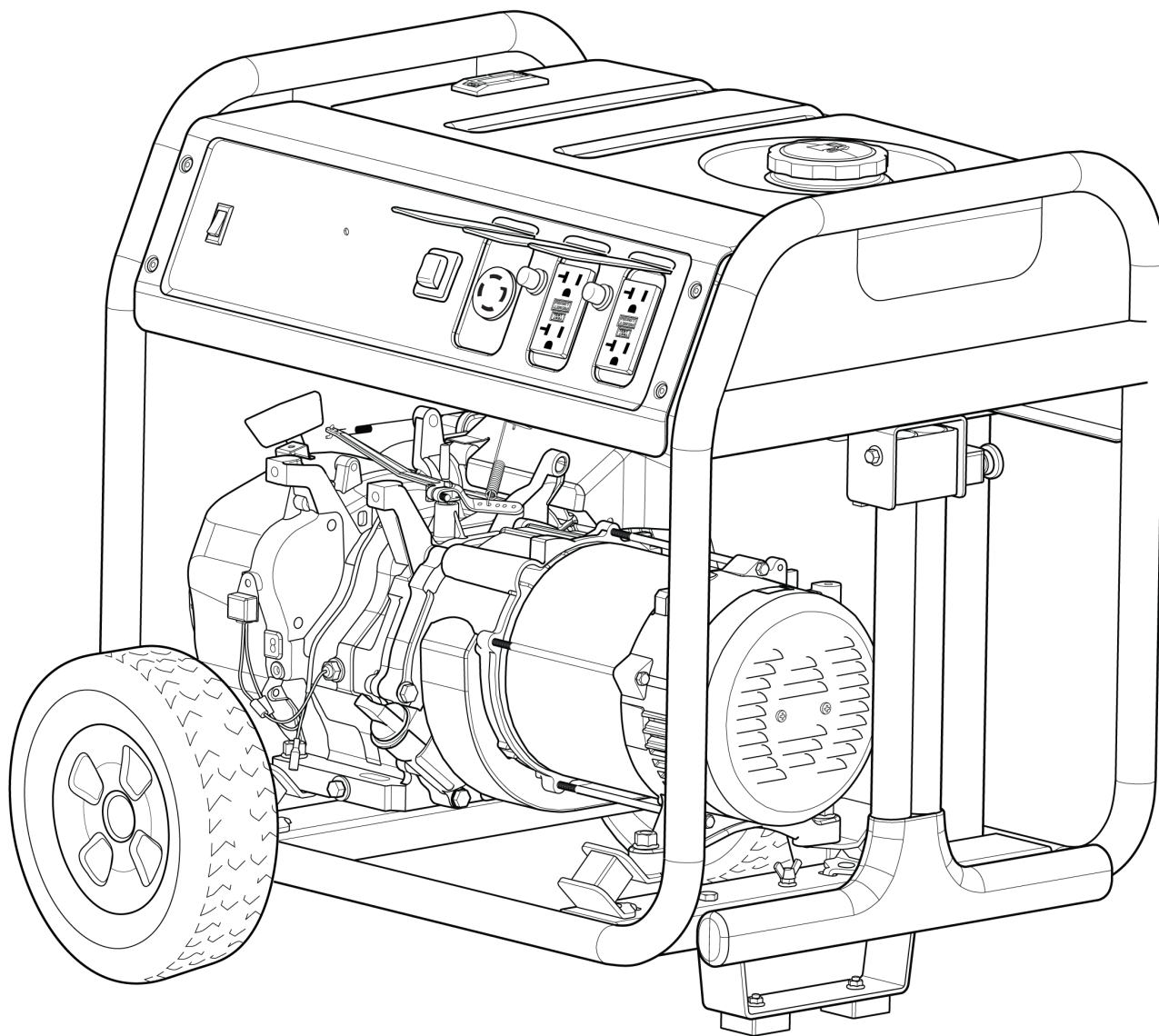




Parts Manual

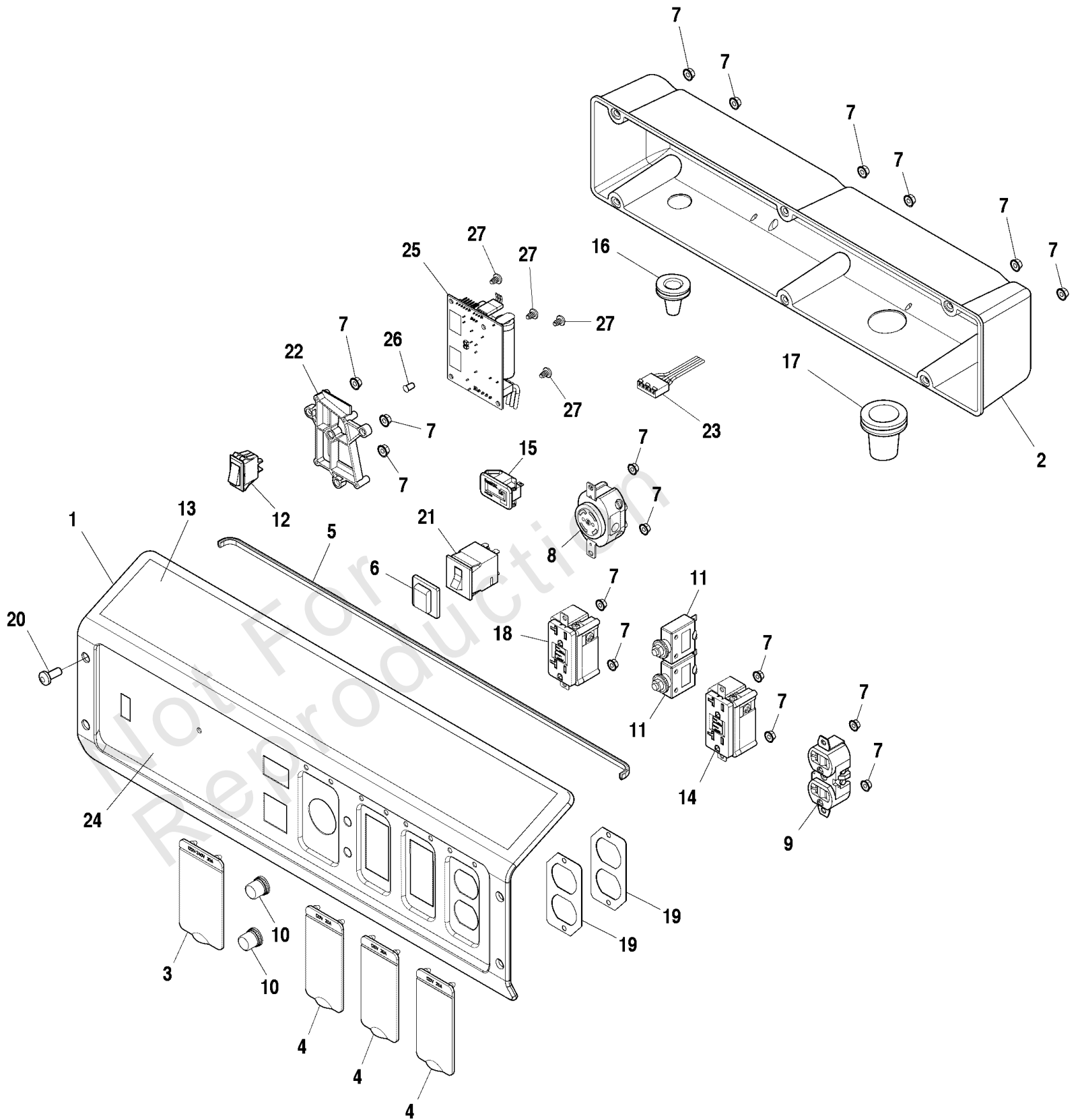
Mfg. No: 030738-01
5,750 Watt Briggs & Stratton 49 State



Control Panel

Note: Unless noted otherwise, use the standard torque specifications

Mfg. No: 030738-01



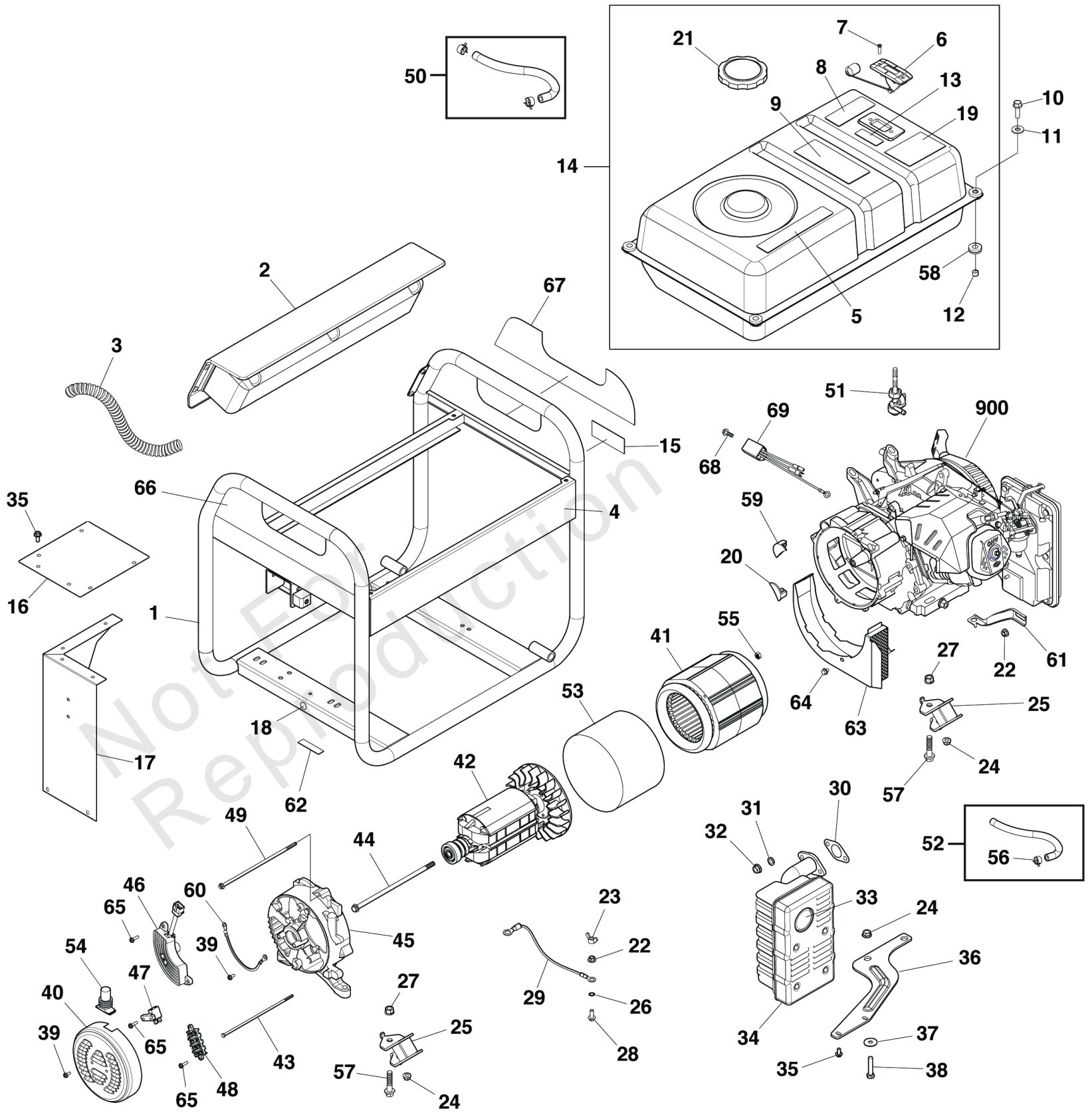
Control Panel

REF NO	PART NO	QTY	DESCRIPTION
1	84002294	1	PANEL-CONTROL -(Includes Item 13 & 24)
2	84002288	1	BOX-CONTROL PANEL
3	319477GS	1	COVER-OUTLET
4	319476GS	3	COVER-OUTLET
5	319459GS	1	TRIM-EDGE
6	191481GS	1	BOOT, Breaker Circuit
7	795016	17	NUT
8	43437GS	1	OUTLET-120/240V TL30A
9	704903	1	OUTLET-120V
10	312636GS	2	BOOT-CIRCUIT BREAKER
11	704907	2	BREAKER-CIRCUIT 20A
12	319525GS	1	SWITCH-ON/OFF
13	772212	1	DECAL
14	707290	1	OUTLET-120V GFCI 20A
15	198245GS	1	HOUR METER
16	319530GS	1	GROMMET
17	319529GS	1	GROMMET
18	709526	1	OUTLET
19	706326	1	INSULATION
20	703804	4	SCREW
21	707343	1	BREAKER-CIRCUIT
22	772213	1	BRACKET-MODULE
23	772215	1	WIRE-HARNESS-CO
24	84002293	1	DECAL
25	772211	1	MODULE-CO
26	772217	1	LIGHT-PIPE
27	84001102	3	SCREW

Main Unit

Note: Unless noted otherwise, use the standard torque specifications

Mfg. No: 030738-01



Main Unit

REF NO	PART NO	QTY	DESCRIPTION
1	84002246	1	CRADLE -Includes Items 4, 15 & 18
2	REF - 80079583	1	Refer to : Control Panel Group
3	707433	1	SLEEVE
4	772231	1	DECAL
5	772237	1	DECAL
6	704183	1	GAUGE-FUEL
7	314440GS	2	SCREW
8	772233	1	DECAL
9	772212	1	DECAL
10	703805	4	SCREW
11	312005GS	4	WASHER
12	189137GS	4	SPACER
13	703264	1	DECAL
14	84002253	1	TANK-FUEL
15	772236	1	DECAL
16	319456GS	1	HEATSHIELD
17	708881	1	HEATSHIELD
18	704331	1	DECAL
19	202997GS	1	DECAL
20	705772	1	COVER-RUBBER
21	319587GS	1	CAP-FUEL
22	52857GS	1	NUT-M6 FLANGE
23	87680GS	1	NUT
24	67989GS	4	NUT, M8 Flange Serrated
25	708877	4	MOUNT-VIBRATION
26	26850GS	1	WASHER, Ext. M6 - 1/4" Shakeproof
27	709938	4	NUT
28	706355	1	SCREW
29	709932	1	WIRE
30	704853	1	GASKET
31	703454	2	LOCKWASHER, Spring, 3/8
32	45771GS	2	NUT, M8 - 1.25
33	83083GS	1	SCREEN
34	708878	1	MUFFLER
35	706152	1	SCREW
36	708879	1	BRACKET-MUFFLER
37	B2495GS	3	WSHR, 25.4 X 8.45 X 1.4
38	709934	3	BOLT
39	709935	2	SCREW
40	704838	1	END COVER
41	707429	1	STATOR
42	707432	1	ROTOR
43	707298	4	BOLT
44	707296	1	BOLT
45	704836	1	CARRIER-BEARING
46	704913	1	VOLTAGE REGULATOR
47	704915	1	BRUSH ASSY
48	705783	1	TERMINAL BLOCK

Footnotes:

Note:* (Verify your specific engine model, reference the ID Tag located on your engine.) (Refer to your local Briggs & Stratton distributor for parts and service.)

Main Unit

REF NO	PART NO	QTY	DESCRIPTION
49	707297	2	BOLT
50	791745	1	LINE, Fuel -(Cut to Fit)
51	209417GS	1	VALVE-FUEL
52	315017GS	1	HOSE-VAPOR -(Cut to Fit)
53	707295	1	BAND-STATOR
54	207879GS	1	BOOT
55	709931	1	NUT
56	314955GS	2	CLAMP
57	709939	4	BOLT
58	189134GS	4	GROMMET
59	705771	1	COVER-RUBBER
60	709940	1	WIRE
61	708880	1	BRACKET-AIR CLEANER
62	706535	1	PAD-RUBBER
63	709941	1	COVER-ALT
64	84002244	1	SCREW-FLANGE M6
65	84001685	3	BOLT
66	84002278	1	DECAL
67	84002277	1	DECAL
68	84003179	1	SCREW
69	84003180	1	MODULE-SNUBBER
900	24G032-0008-G1		*Engine -*(Refer to Note:)

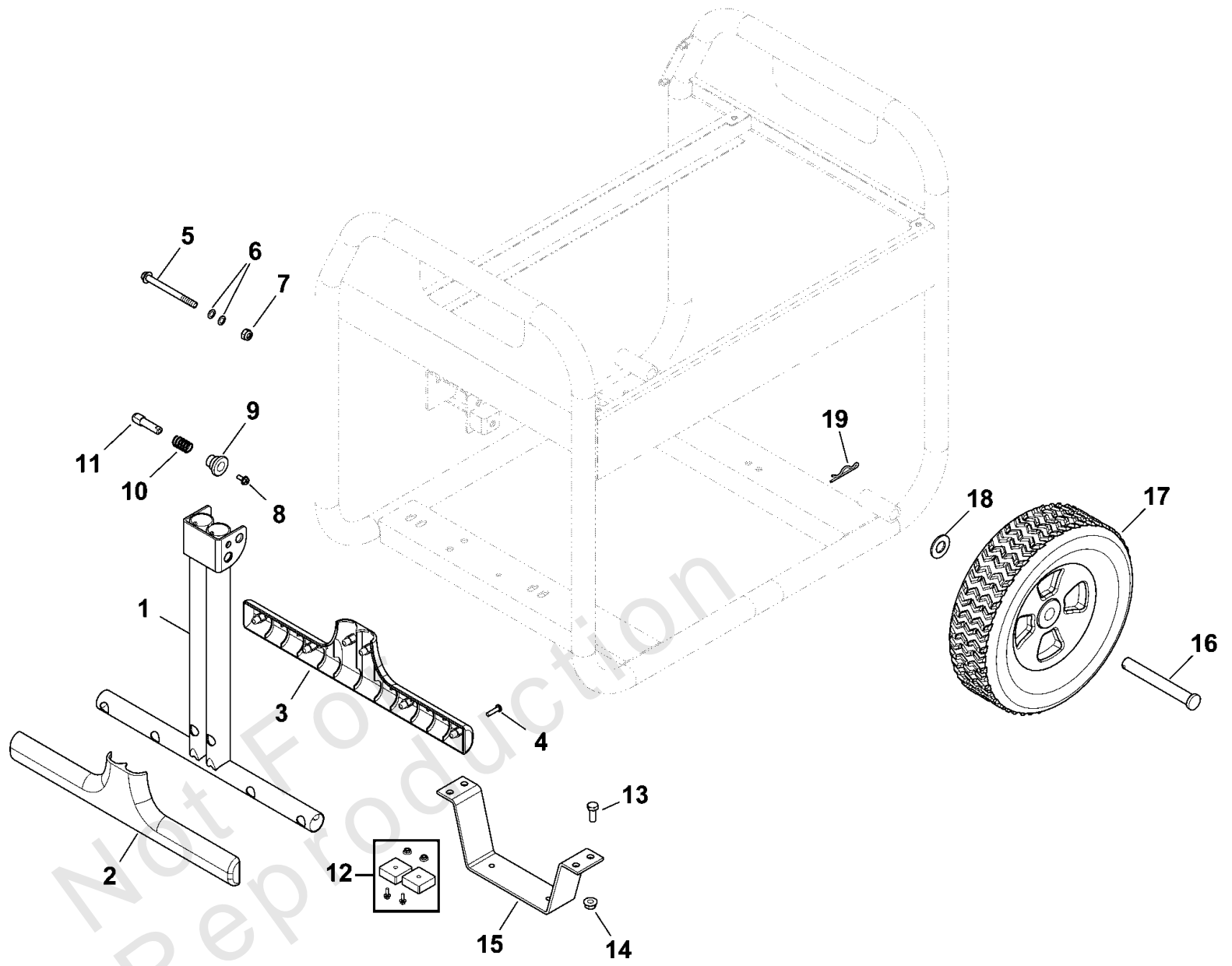
Footnotes:

Note:* (Verify your specific engine model, reference the ID Tag located on your engine.) (Refer to your local Briggs & Stratton distributor for parts and service.)

Wheel Kit (80006254)

Note: Unless noted otherwise, use the standard torque specifications

Mfg. No: 030738-01



Wheel Kit (80006254)

REF NO	PART NO	QTY	DESCRIPTION
1	319396GS	1	HANDLE
2	319360GS	1	GRIP-HANDLE
3	319361GS	1	GRIP-HANDLE
4	75477GS	6	SCREW
5	318677GS	1	BOLT
6	84002245	2	WASHER
7	49820GS	1	NUT
8	84001685	1	BOLT
9	319453GS	1	KNOB
10	319452GS	1	SPRING
11	319454GS	1	PIN
12	319285GS	1	MOUNT-VIBRATION
13	771804	4	BOLT
14	67989GS	4	NUT
15	704198	1	SUPPORT-LEG
16	703813	2	AXLE
17	704145	2	WHEEL
18	22247GS	2	WASHER
19	316510GS	2	PIN-HAIR

Not For Reproduction

