



SERVICE PARTS LIST

BULLETIN NO.
54-06-0582

SPECIFY CATALOG NO. AND SERIAL NO. WHEN ORDERING PARTS		REVISED BULLETIN	DATE
D.I. 3/8" ANGLE DRILL		54-06-0581	Apr.'93
CATALOG NO. 0375-1	STARTING SERIAL NO. 611A	WIRING INSTRUCTION 58-01-0372	

EXAMPLE:
Component Parts (Small #)
Are Included When Ordering
The Assembly (Large #).

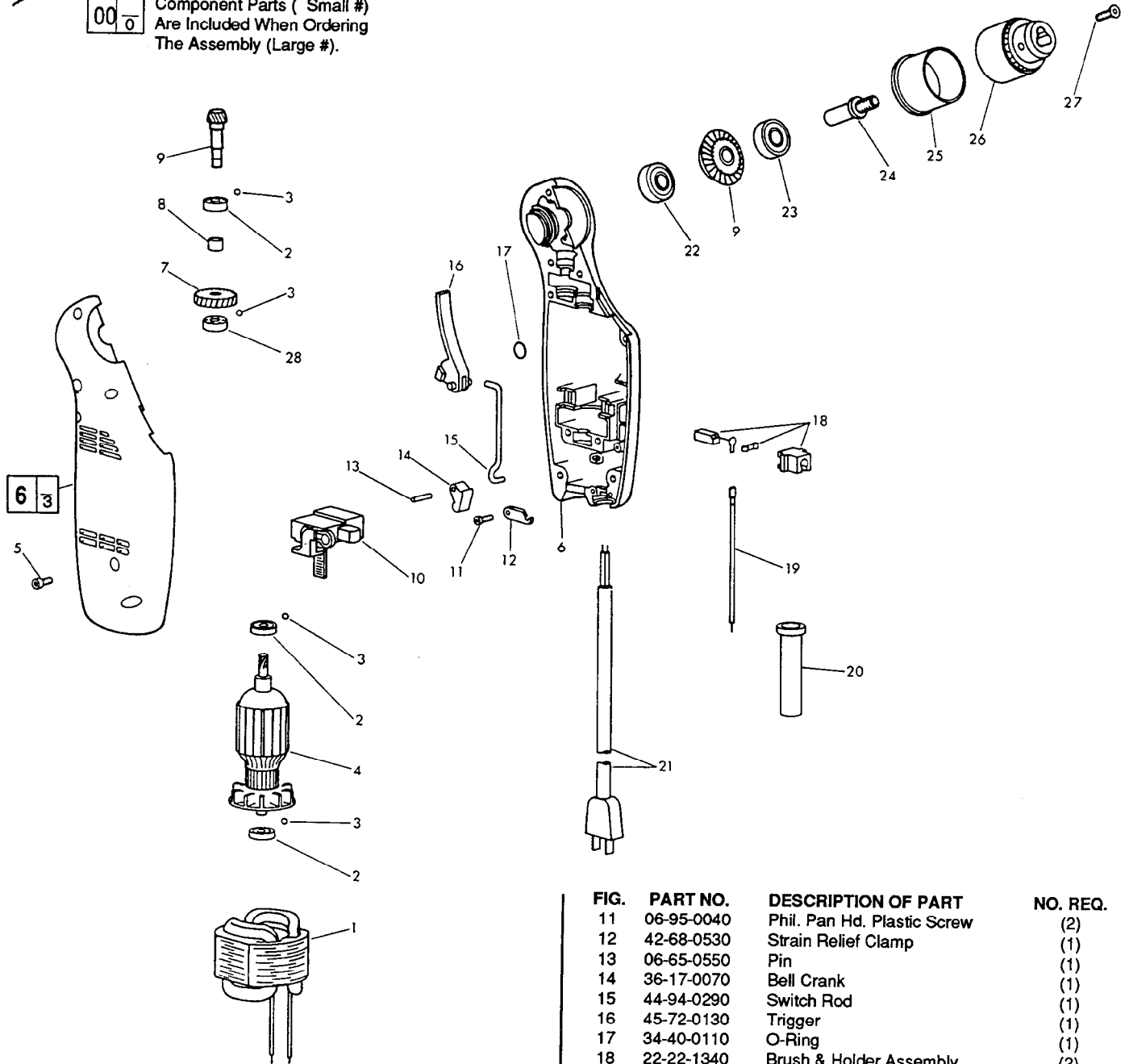


FIG.	PART NO.	DESCRIPTION OF PART	NO. REQ.
1	18-10-0110	115 V. Field	(1)
2	02-04-0300	Ball Bearing	(3)
3	02-02-1500	1/8" Rubber Ball	(4)
4	16-10-0330	115 V. Armature	(1)
5	05-74-0400	M4 x .7 x 10 Socket Hd. Cap Screw	(8)
6	31-50-0456	Housing Assy.	(1)
7	32-42-1151	Helical Gear	(1)
8	45-36-1230	Spacer	(1)
9	32-60-2171	Gear & Pinion Assembly	(1)
10	23-66-1375	Switch	(1)

FIG.	PART NO.	DESCRIPTION OF PART	NO. REQ.
11	06-95-0040	Phil. Pan Hd. Plastic Screw	(2)
12	42-68-0530	Strain Relief Clamp	(1)
13	06-65-0550	Pin	(1)
14	36-17-0070	Bell Crank	(1)
15	44-94-0290	Switch Rod	(1)
16	45-72-0130	Trigger	(1)
17	34-40-0110	O-Ring	(1)
18	22-22-1340	Brush & Holder Assembly	(2)
19	23-94-9800	Wire Assembly	(2)
20	44-76-0160	Cord Protector	(1)
21	22-64-0830	Cord Set	(1)
★ 22	02-04-0911	Ball Bearing	(1)
23	02-04-1000	Ball Bearing	(1)
24	38-50-5521	Output Shaft	(1)
25	43-54-0525	Chuck Shroud	(1)
26	48-66-0795	3/8" Chuck	(1)
27	05-74-0514	M5 x .8x 20 L.H. Chuck Screw	(1)
28	02-04-0450	Ball Bearing	(1)
	48-66-3240	Chuck Key	(1)
★	12-20-0320	Service Nameplate Kit	(1)
★	10-15-0260	Fwd./Rev. Label	(1)

MILWAUKEE ELECTRIC TOOL CORPORATION
13135 W. LISBON RD., BROOKFIELD, WI 53005