

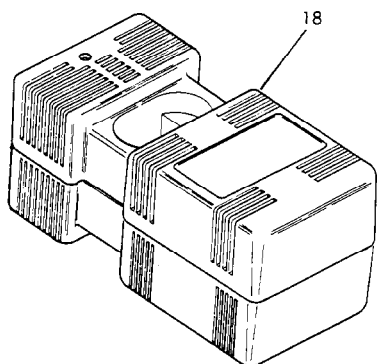
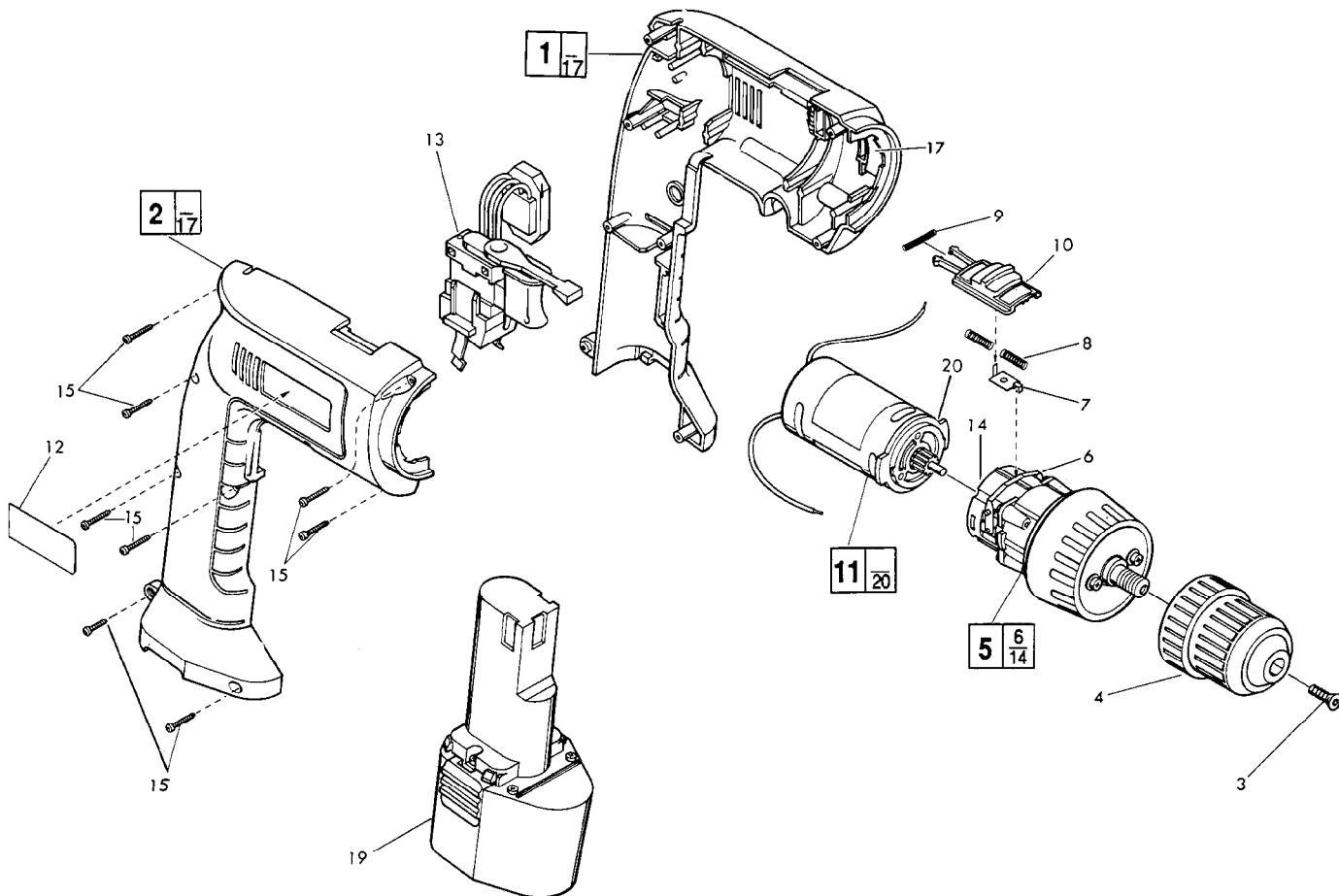


# SERVICE PARTS LIST

BULLETIN NO.  
54-06-1850

|  |        |                                  |          |
|--|--------|----------------------------------|----------|
| SPECIFY CATALOG NO. AND SERIAL NO. WHEN ORDERING PARTS |        | REVISED BULLETIN                 | DATE     |
| CORDLESS KEYLESS CHUCK DRIVER/DRILL                    |        |                                  | Feb.'91  |
| CATALOG NO.  | 0396-1 | STARTING SERIAL NO.              | 783-1001 |
|  |        | WIRING INSTRUCTION<br>58-01-1010 |          |

**EXAMPLE:**  
Component Parts (Small #)  
Are Included When Ordering  
The Assembly (Large #).



| FIG. | PART NO.   | DESCRIPTION OF PART                            | NO. REQ. |
|------|------------|--|----------|
| 1    | 14-38-0511 | Left Housing Assembly                          | (1)      |
| 2    | 14-38-0521 | Right Housing Assembly                         | (1)      |
| 3    | 05-88-0505 | Chuck Retaining Screw T-20                     | (1)      |
| 4    | 48-66-0375 | Keyless Chuck                                  | (1)      |
| 5    | 14-30-0720 | Gear Box Assembly                              | (1)      |
| 6    | 44-10-0260 | Change Gear Lever                              | (1)      |
| 7    | 44-14-0160 | Link   | (1)      |
| 8    | 40-50-8300 | Spring   | (2)      |
| 9    | 40-50-8310 | Spring   | (1)      |
| 10   | 45-24-0070 | Slide - High/Low                               | (1)      |
| 11   | 14-50-0610 | Motor Assembly                                 | (1)      |
| 12   | 12-99-0880 | Service Nameplate                              | (1)      |
| 13   | 23-66-2000 | Variable Speed Switch                          | (1)      |
| 14   | 43-76-0590 | Gear Housing                                   | (1)      |
| 15   | 06-82-7236 | 4-20x5/8" Plastite Pan Hd. T-10                | (8)      |
| 17   | 44-52-0440 | Foam Pad                                       | (2)      |
| 18   | 48-59-0166 | Battery Charger (Refer to Bulletin 54-04-0150) | (1)      |
| 19   | 48-11-0080 | 9.6 V. Battery Pack                            | (1)      |
| 20   | 44-66-5870 | Motor Mount Plate                              | (1)      |