



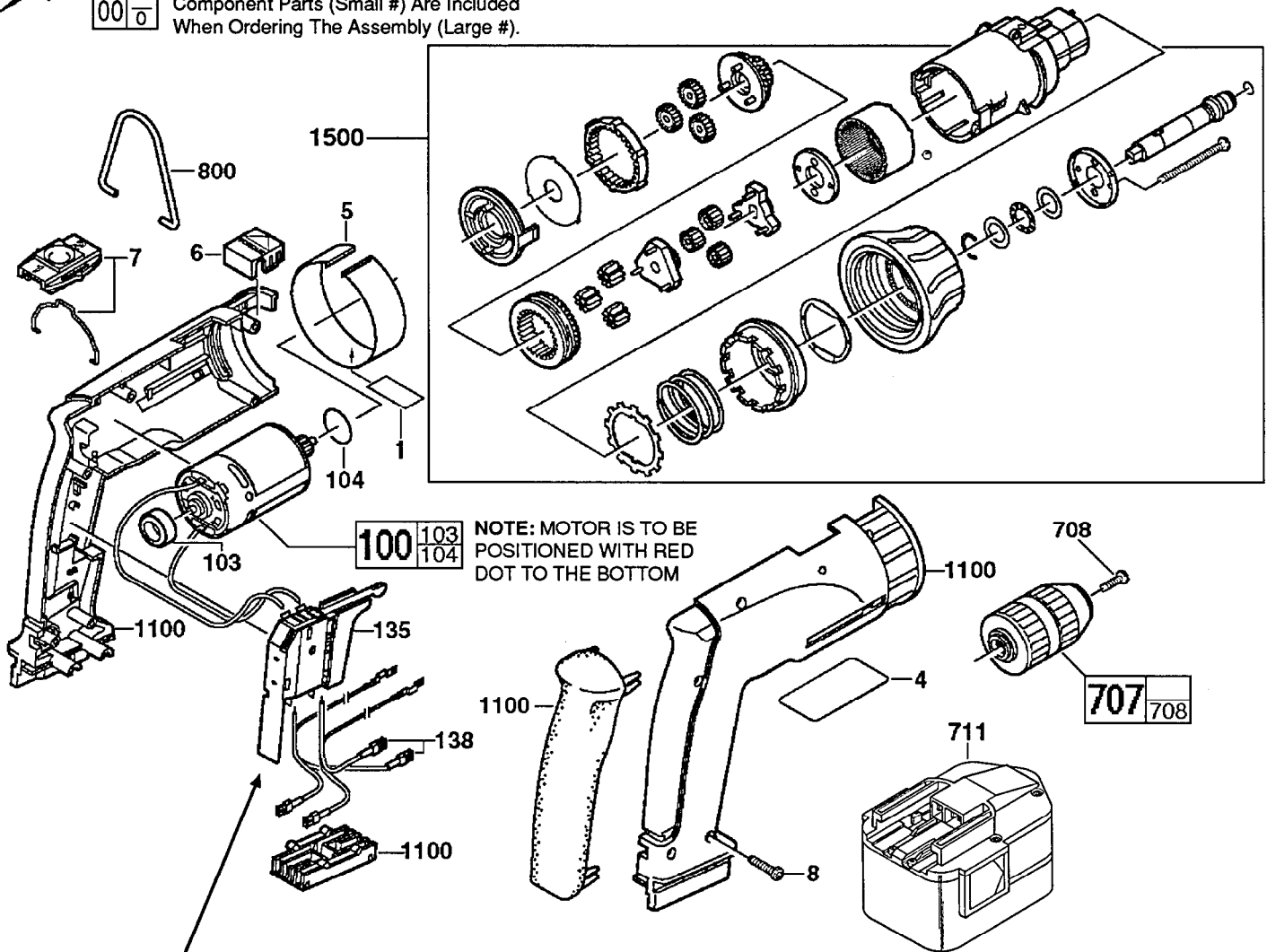
SERVICE PARTS LIST

BULLETIN NO.
54-06-2450

SPECIFY CATALOG NO. AND SERIAL NO. WHEN ORDERING PARTS		REVISED BULLETIN	DATE
14.4 VOLT 1/2" POWER PLUS DRIVER-DRILL			Feb. '97
CATALOG NO. 0511-21	SERIAL NUMBER 943A	WIRING INSTRUCTION SEE REVERSE SIDE	

00 0

EXAMPLE:
Component Parts (Small #) Are Included
When Ordering The Assembly (Large #).



NOTE: MOTOR IS TO BE
POSITIONED WITH RED
DOT TO THE BOTTOM

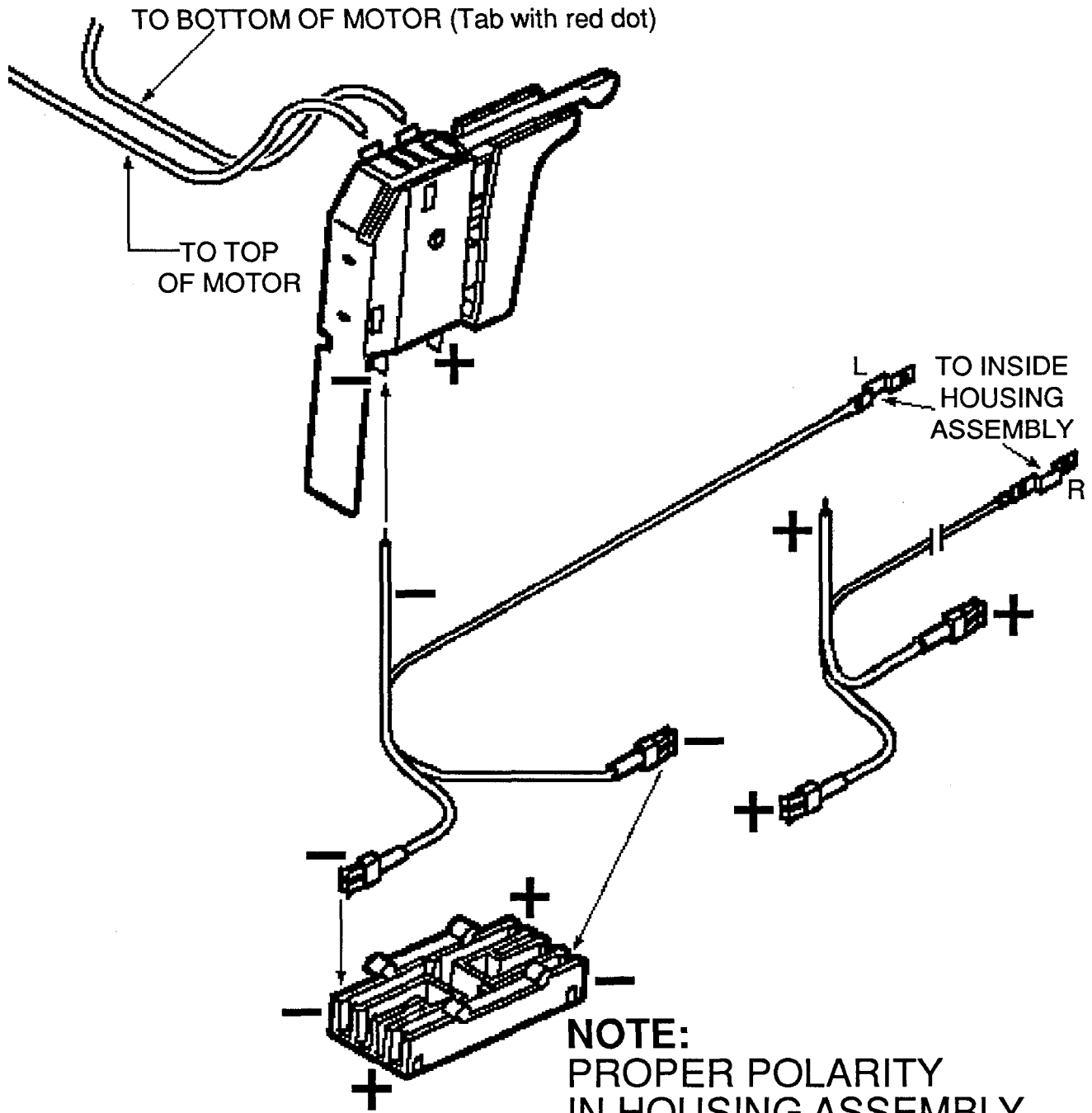
WARNING
SWITCH POLARITY SENSITIVE
If wired incorrectly with housing
assembly, (fig. 1100), switch
will be damaged and destroyed!
*See reverse side of bulletin for
switch wiring detail.*


FIG.	PART NO.	DESCRIPTION OF PART	NO. REQ.
1	10-15-0440	Warning Label	1
4	12-20-0840	Service Nameplate	1
5	45-22-0075	Sleeve	1
6	31-12-0215	Cap	1
7	45-24-1195	Slide High/Low	1
8	06-82-7236	Screw	6
100	23-30-0105	Motor	1
103	45-22-0570	Rubber Sleeve	1
104	34-40-2005	O-Ring	1
135	23-66-1265	Switch	1
138	23-94-9005	Lead Wire Assembly	1
707	48-66-0365	Keyless Chuck	1
708	06-75-3150	Chuck Screw-Left Hand Thread	1
711	-----	Battery Pack	1
800	43-74-0225	Bail Hook	1
1100	31-50-0485	Housing Assembly	1
1500	14-29-0080	Gear Box Assembly	1

MILWAUKEE ELECTRIC TOOL CORPORATION
13135 W. LISBON RD., BROOKFIELD, WI 53005


WARNING

SWITCH POLARITY SENSITIVE
IF WIRED INCORRECTLY WITH
HOUSING ASSEMBLY, (FIG. 1100),
SWITCH WILL BE DAMAGED AND
DESTROYED.



NOTE:
PROPER POLARITY
IN HOUSING ASSEMBLY
REQUIRES LEADS
TO BE CROSSED
AS ILLUSTRATED .