



SERVICE PARTS LIST

BULLETIN NO.
54-05-0140

SPECIFY CATALOG NO. AND SERIAL NO. WHEN ORDERING PARTS		REVISED BULLETIN	DATE
CORDLESS DRAIN CLEANER			Jan. '92
CATALOG NO. 0564-1	SERIAL NUMBER 789-1001	WIRING INSTRUCTION 58-01-1030	



EXAMPLE:
Component Parts (Small #) Are Included
When Ordering The Assembly (Large #).

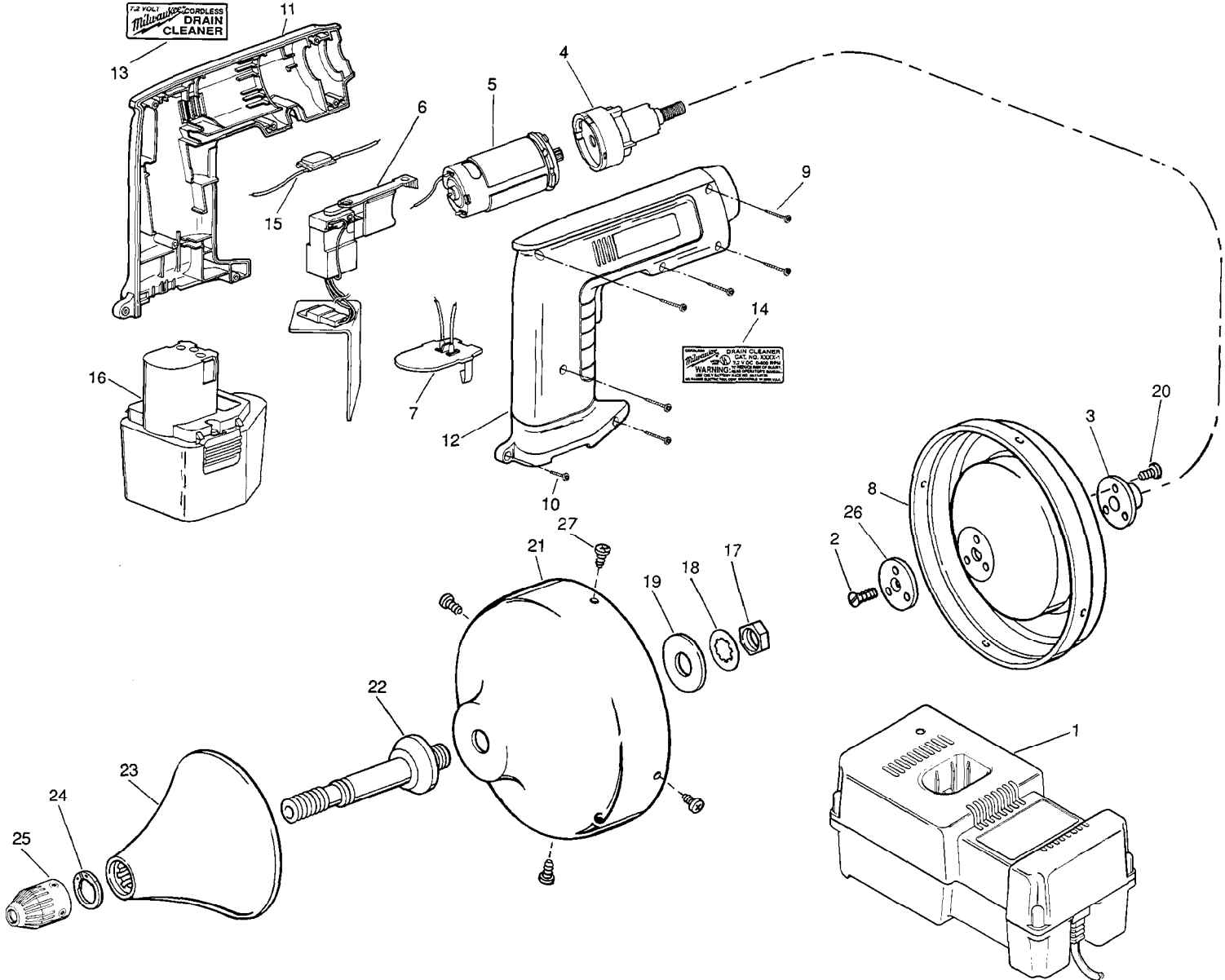


FIG.	PART NO.	DESCRIPTION OF PART	NO. REQ.
1	48-59-0210	7.2 Volt Battery Charger (Refer to Bulletin 54-04-0120)	(1)
2	05-88-0505	M5 x 17 LH Flat Hd. T-20 Screw	(1)
3	43-78-0435	Mounting Hub	(1)
4	14-30-0710	Gear Box Assembly	(1)
5	14-50-0540	Motor Assembly	(1)
6	23-66-1910	Switch	(1)
7	22-56-0600	Terminal Assembly	(1)
8	43-11-0080	Upper Drum Section	(1)
9	06-82-7236	4-20x3/4" Plast. Pan Hd. T-10 Screw	(6)
10	06-82-7225	4-20x1/2" Plast. Pan Hd. T-10 Screw	(1)
11	31-50-0880	Left Housing	(1)
12	31-50-0890	Right Housing	(1)
13	10-98-6950	Label	(1)
14	12-99-0950	Service Nameplate	(1)

FIG.	PART NO.	DESCRIPTION OF PART	NO. REQ.
15	23-75-0100	Thermal Protector	(1)
16	48-11-0130	7.2 Volt Battery Pack	(1)
17	06-55-3760	Special Hex Nut	(1)
18	06-97-3010	Internal Lock Washer	(1)
19	45-88-7175	Washer	(1)
20	06-82-2292	8-32 x 3/8" Machine T-20 Screw	(3)
21	43-11-0060	Lower Drum Section	(1)
22	38-50-5055	Spindle Assembly	(1)
23	43-54-0320	Hand Guard Assembly	(1)
24	34-60-1312	Retaining Ring	(1)
25	48-66-0270	Chuck	(1)
26	44-66-5950	Mounting Plate	(1)
27	06-82-8844	8-32 x 3/8" Machine T-20 Screw	(4)

MILWAUKEE ELECTRIC TOOL CORPORATION
13135 W. LISBON RD., BROOKFIELD, WI 53005