



BOSCH

Angle Grinder

----- | 0 600 304 039

Table of Content

Spare parts list.....	2
Illustration - Type.....	4

Spare parts list

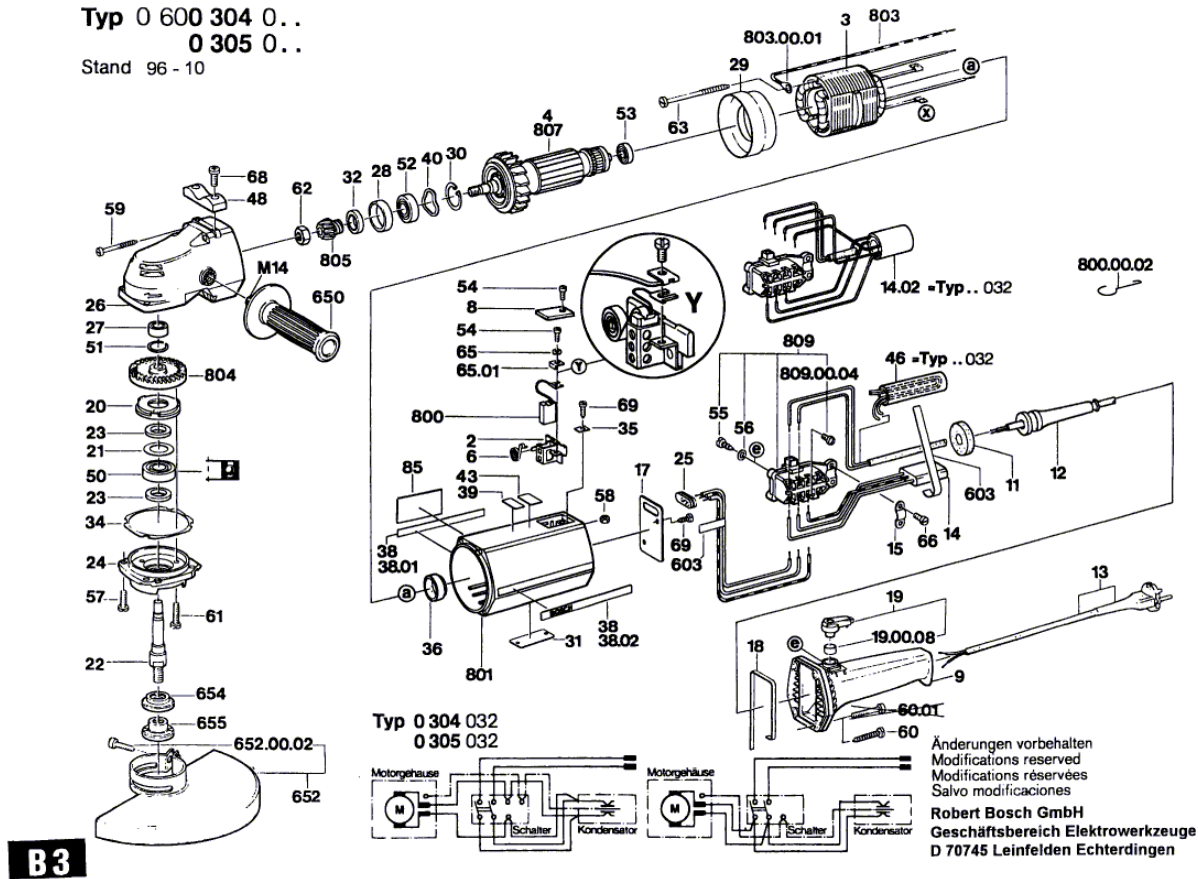
Item	Part Number	Description	Illustration
2	1 604 336 008	Brush Holder	1
3	1 604 220 099	Field 115V	1
4	1 604 011 225	Armature 115V	1
6	1 604 652 015	Spiral Spring	1
8	1 605 500 089	Sealing cap BLUE	1
9	1 605 132 083	Handle BLUE	1
12	1 600 703 009	Grommet Ø11,5-Ø15,0x150 MM	1
12	3 600 703 011	Grommet Ø9,2-Ø12x120 MM	1
13	1 604 461 027	Power supply cord	1
15	1 601 302 013	Fastening Clamp	1
17	1 601 037 006	Cover Plate	1
19/00/08	1 600 205 019	Felt Washer	1
20	1 605 808 054	Bearing cover	1
21	1 600 102 012	Cover Disc	1
22	1 603 523 091	Grinding Spindle 5/8"-UNC-2A	1
23	1 600 108 055	Sealing disk	1
24	1 607 000 229	Assembly Of Service Parts	1
26	1 605 806 324	Gear Housing SILVER	1
27	1 600 910 010	Needle bearing Ø22x11,3 MM	1
28	1 600 206 014	Rubber Ring 10 MM WIDE	1
29	1 600 502 007	Air-Deflector Ring	1
30	2 916 660 017	Spring retaining ring DIN 472 38X1,5MM	1
31	1 601 11A 3H3	Nameplate	1
32	1 600 290 008	Rotary shaft lip seal WHITE	1
34	1 600 190 004	Shim 0,1 MM THICK	1
34	1 600 190 005	Shim 0,2 MM THICK	1
35	1 601 030 022	Tab Washer	1
38/01	1 601 110 073	Sticker DOUBLE INSULATION	1
40	1 600 150 007	Spring Washer Ø27,5x38,4 MM	1
43	1 601 110 058	Reference Plate DOUBLE INSULATION	1
48	1 608 039 008	Storage Ledge	1
50	1 900 905 281	groove ball bearing 17x40x12	1
51	2 916 620 011	Retaining ring Ø22 MM	1
53	1 900 900 407	groove ball bearing 10x26x8	1
57	2 910 021 157	Socket head cap screw DIN 84-AM5x15-8.8	1

Spare parts list

Item	Part Number	Description	Illustration
58	2 915 011 005	Hex Nut DIN 934 -M4-m-8	1
60	2 910 211 036	Tapping Screw DIN 7971-ST4,8x25-F	1
61	2 910 021 162	Socket head cap screw DIN 84-AM5x20-8.8	1
62	1 603 300 009	Hex Nut M12x1,5 MM	1
63	1 603 435 006	Tapping Screw B4,8x90 MM	1
65	1 600 150 006	Spring Washer DIN 137-A4	1
65/01	1 611 331 007	Tab Washer	1
66	2 910 021 118	Socket head cap screw DIN 84-AM4x8-8.8	1
66	2 910 021 122	Socket head cap screw DIN 84-AM4x12-8.8	1
68	2 910 021 196	Socket head cap screw DIN 84-AM6x15-8.8	1
69	2 910 211 011	Tapping Screw DIN 7971-BZ3,5x13	1
650	1 602 025 09Z	Auxiliary Handle	1
650	1 602 025 0A1	Auxiliary Handle	1
652	1 605 510 083	Protective Cover Ø190 MM (7")	1
652/00/02	2 910 141 242	Hex Socket Head Cap Screw DIN 912-M8x20-8.8	1
654	1 605 703 053	Clamping Flange Ø104,5 MM	1
655	1 603 340 001	Round Nut 5/8"	1
800	1 607 014 103	Carbon-Brush Set	1
800/00/02	1 604 682 006	Extractor Hook	1
801	1 605 108 902	Assembly Of Service Parts BLUE	1
803/00/01	1 601 353 003	Terminal lug	1
804	1 606 333 147	Crown Gear Z=52	1
805	1 606 333 148	Bevel Gear Z=17	1
809/00/04	2 910 091 118	Pan head screw DIN 85-AM4x8-4.8	1

Illustration - Type - E

Typ 0 600 304 0..
 0 305 0..
 Stand 96 - 10



B3