



BOSCH

Angle Grinder

----- | 0 601 306 339

Table of Content

Spare parts list.....	2
Illustration - Type.....	4

Spare parts list

Item	Part Number	Description	Illustration
1	1 605 108 049	Pole housing	1
2	1 604 220 046	Pole Shoe 115V	1
3	1 603 410 008	Socket head cap screw	1
6	1 604 011 072	Armature With Fan 115V	1
11	1 605 820 174	Bearing Flange	1
12	1 900 900 413	groove ball bearing 6203-TH/C3 DIN 625	1
13	1 605 806 325	Gear Housing	1
14	1 900 905 121	groove ball bearing 12x28x8	1
16	1 603 523 091	Grinding Spindle 5/8"-UNC-2A	1
17	1 605 805 044	Bearing Flange Ø 14,8 MM	1
18	2 100 551 000	Plain Washer	1
19	1 601 038 020	Shim 0,10 MM THICK	1
19	1 601 038 021	Shim 0,20 MM THICK	1
20	1 600 521 013	Conical Spring Washer	1
21	1 600 502 001	Air-Deflector Ring	1
23	1 603 465 003	Screw Plug	1
26	1 604 461 027	Power supply cord	1
27	1 600 703 013	Grommet	1
28	1 601 302 013	Fastening Clamp	1
29	1 600 113 003	Sealing Plate	1
30	1 601 037 001	Cover Plate	1
31	1 600 306 002	Grommet	1
32	1 604 413 001	Connecting Cable	1
32	1 607 329 019	Suppression Filter	1
33	1 601 302 003	Fastening Clamp	1
34	2 916 011 005	Plain Washer DIN 433-3,2-ST 50	1
37	1 600 390 006	Sleeve Terminal	1
43	1 601 110 058	Reference Plate DOUBLE INSULATION	1
44	1 600 102 674	Shim	1
45	1 601 331 032	Holding Bracket	1
50	1 900 900 352	groove ball bearing 17x47x14	1
51	1 600 910 010	Needle bearing Ø22x11,3 MM	1
53	2 910 021 122	Socket head cap screw DIN 84-AM4x12-8.8	1
55	2 910 011 157	Socket head cap screw DIN 84-AM5x15-5.8	1
56	2 910 011 164	Socket head cap screw DIN 84-AM5x25-5.8	1

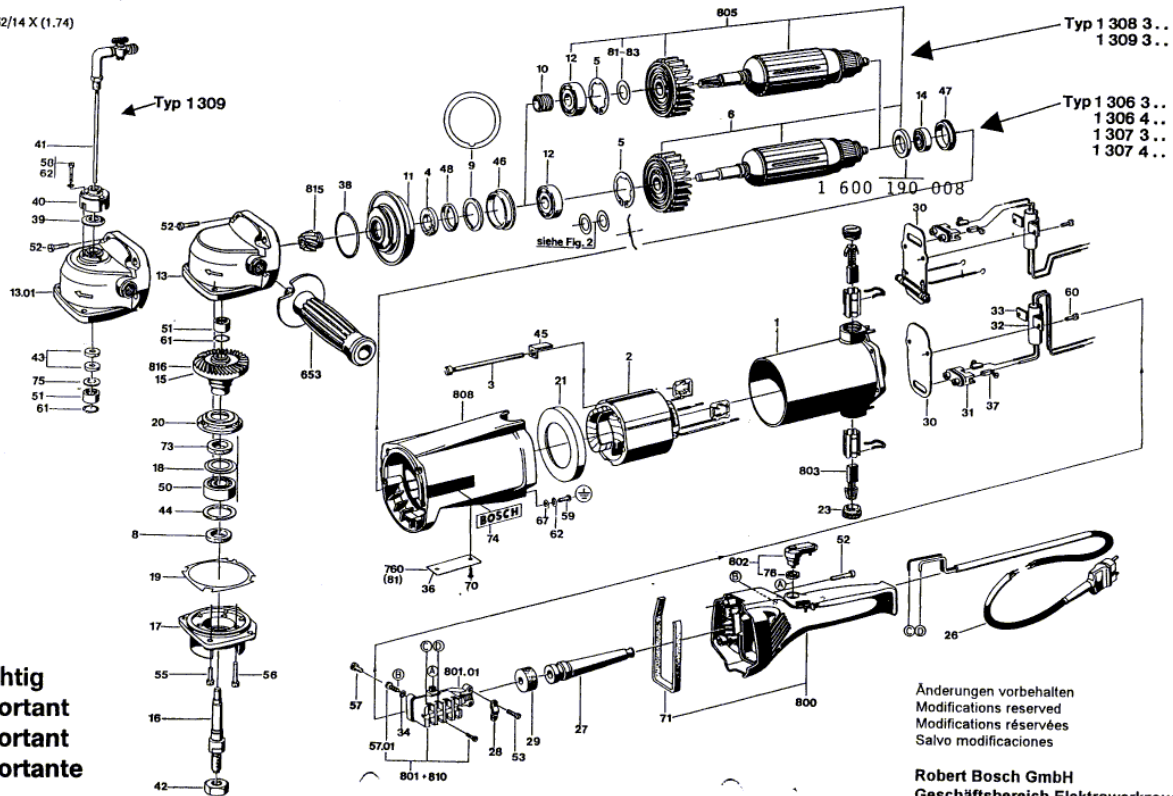
Spare parts list

Item	Part Number	Description	Illustration
57	2 910 021 050	Socket head cap screw DIN 84-AM3x8-8.8	1
57	2 910 211 006	Tapping Screw DIN 7971-BZ2,9x13	1
58	2 910 021 130	Socket head cap screw DIN 84-AM4x20-8.8	1
59	2 910 110 120	Pan head screw DIN 85-AM4x10-MS	1
62	1 600 150 006	Spring Washer DIN 137-A4	1
67	2 916 010 409	Plain Washer DIN 46 255-DPG 9	1
70	2 917 721 031	Round-Head Grooved Pin DIN 1476-2x3-St	1
74	1 601 110 011	Manufacturer's nameplate	1
78	2 910 021 196	Socket head cap screw DIN 84-AM6x15-8.8	1
81	1 600 101 612	Shim 0,05 MM THICK	1
83	1 600 101 608	Shim	1
653	1 602 025 09Z	Auxiliary Handle	1
653	1 602 025 0A1	Auxiliary Handle	1
800	1 605 132 060	Handle	1
802	1 602 026 030	Control Lever	1
803	1 607 014 100	Carbon-Brush Set	1
808	1 605 102 041	Motor Housing	1
810	1 607 000 034	Switch Kit	1
815	1 606 333 094	Bevel Gear Z=16	1
816	1 606 333 069	Bevel Gear Z=49	1
76	1 600 205 008	Felt Washer	2

Illustration - Type - E

Typ 0 601 306 ..., 1 307 ...,
1 308 ..., 1 309 ...

EW-EVW 1/252/14 X (1.74)



Wichtig
Important
Important
Importante

Anderungen vorbehalten
Modifications reserved
Modifications réservées
Salvo modificaciones

Robert Bosch GmbH
Geschäftsbereich Elektrowerkzeuge
D 70745 Leinfelden - Echterdingen

Illustration - Type - E

Typ 0 601 306 ... - 1 309 ...

EW-EVW 1/252/14 X (1.74)

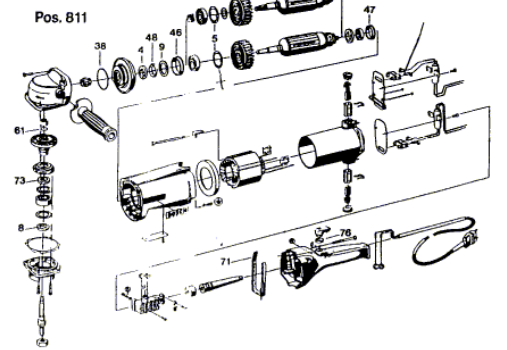
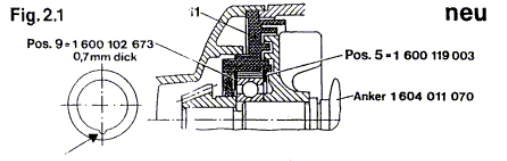
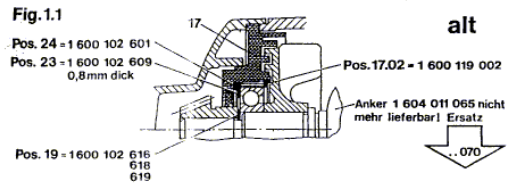
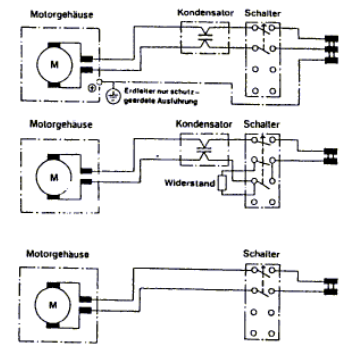
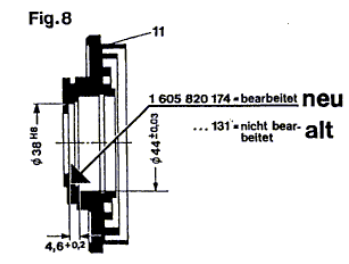
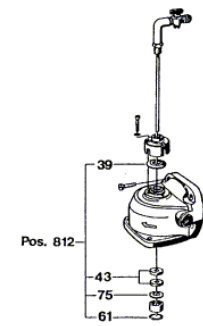
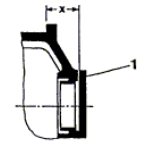


Fig. 5.1

$x = 22,1 \pm 0,2 = 1\ 605\ 108\ 049$
für Typen 1 306 1... - 1 306 4...
1 307 1... - 1 307 4...
1 308 3...
1 309 3...

$x = 21,5 \pm 0,1 = 1\ 605\ 108\ 069$
für Typen 1 306 0... - 1 309 0...



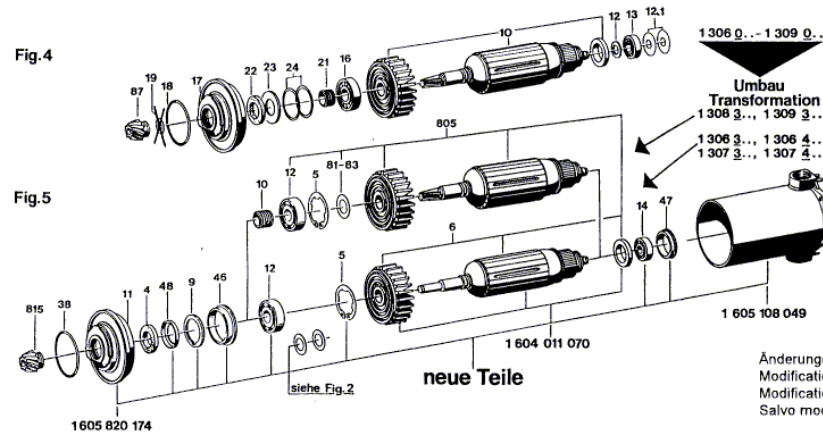
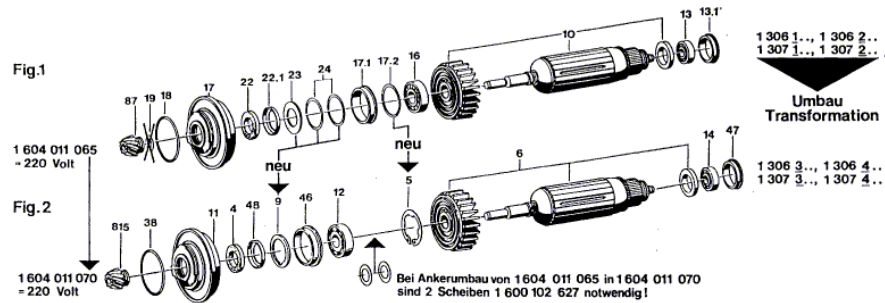
Änderungen vorbehalten
Modifications reserved
Modifications réservées
Salvo modificaciones

Robert Bosch GmbH
Geschäftsbereich Elektrowerkzeuge
D 70745 Leinfelden-Echterdingen

Illustration - Type - E

Typ 0 601 306 ... - 1 309 ...

EW-EVW 1/252/14 X (1.74)



Änderungen vorbehalten
Modifications reserved
Modifications réservées
Salvo modificaciones

Robert Bosch GmbH
Geschäftsbereich Elektrowerkzeuge
D 70745 Leinfelden - Echterdingen