



**BOSCH**

# Angle Grinder

----- | 0 601 336 039

---

## Table of Content

Spare parts list.....	2
Illustration - Type.....	4

Spare parts list

Item	Part Number	Description	Illustration
2	1 604 220 137	Field 115V	1
2/10	1 901 350 003	Terminal lug 1,5-4x4	1
3	1 604 010 164	Armature 115V	1
4/10	2 910 091 118	Pan head screw DIN 85-AM4x8-4.8	1
5	3 604 460 049	Power supply cord	1
6	1 600 703 009	Grommet Ø11,5-Ø15,0x150 MM	1
6	3 600 703 011	Grommet Ø9,2-Ø12x120 MM	1
7	1 601 302 014	Fastening Clamp	1
9	1 601 110 046	Sticker	1
15	1 605 806 360	Gear Housing	1
17	1 605 805 054	Bearing Flange	1
18	1 600 502 012	Air-Deflector Ring	1
19	1 605 500 129	Sealing cap	1
20	1 601 037 007	Cover Plate	1
22	1 600 502 018	Intermediate Ring	1
23	1 602 026 030	Control Lever	1
23/8	1 600 205 008	Felt Washer	1
25	1 601 030 022	Tab Washer	1
27	1 600 206 018	Intermediate Ring	1
28	1 601 014 000	Sealing Cord	1
30	1 600 500 022	Spacer Bushing	1
31	2 916 660 013	Retaining clip DIN 472-32x1,2 MM	1
32	1 603 523 086	Grinding Spindle M14	1
35	2 600 136 002	Shim 0,1 MM	1
35	2 600 136 003	Shim 0,2 MM	1
37	1 600 290 011	Rotary shaft lip seal	1
38	1 606 333 182	Crown Gear Z=33	1
39	1 604 652 006	Spiral Spring	1
40	2 600 910 001	Needle-Roller Bearing Ø14 MM	1
43	1 600 113 013	Seal	1
45	1 600 905 004	groove ball bearing 15x32x9	1
46	2 600 905 032	Ball Bearing 7x19x6	1
47	1 600 905 006	groove ball bearing 12x32x10	1
50	2 910 211 021	Tapping Screw DIN 7971-ST3,9x22-F	1
52	2 910 021 116	Socket head cap screw DIN 84-AM4x6-8.8	1

**Spare parts list**

Item	Part Number	Description	Illustration
53	2 910 021 118	Socket head cap screw DIN 84-AM4x8-8.8	1
54	2 910 771 126	Countersunk-Head Screw M 4x16 DIN 963-5.8	1
55	2 910 211 011	Tapping Screw DIN 7971-BZ3,5x13	1
56	1 603 435 005	Tapping Screw B4,8x65 MM	1
57	2 910 211 038	Tapping Screw DIN 7971-ST4,8x38-F	1
58	3 603 415 560	Screw B 4,8x45 MM	1
59	2 915 011 005	Hex Nut DIN 934 -M4-m-8	1
60	2 916 011 005	Plain Washer DIN 433-3,2-ST 50	1
62	1 600 116 006	Retaining ring	1
95/1	1 601 110 058	Reference Plate DOUBLE INSULATION	1
800	1 607 014 126	Carbon-Brush Set	1
801	1 607 000 145	Parts Set	1
802	1 607 200 064	Switch	1
803	3 605 132 054	Handle BLACK	1
822	1 600 502 020	Rubber Bushing	1
824	1 604 336 017	Brush Holder	1
840	1 600 910 010	Needle bearing Ø22x11,3 MM	1
861	2 916 620 011	Retaining ring Ø22 MM	1
888	1 601 11A 3H3	Nameplate	1
650/10	1 602 025 09Z	Auxiliary Handle	2
650/10	1 602 025 0A1	Auxiliary Handle	2
650/11	2 607 950 511	Single-Head Eng. Wrench SW17	2
650/12	1 603 340 015	Round Nut M14	2
650/13	1 607 950 052	Pin-Type Face-Wrench	2
652	1 605 510 117	Protective Cover Ø 125 MM (5")	2
652/20	2 910 022 197	Socket head cap screw DIN 84-M 6x16-8.8	2

Illustration - Type - E

Typ 0 601 336 0 . .

Stand ~~83-02~~  
Issue 94-10

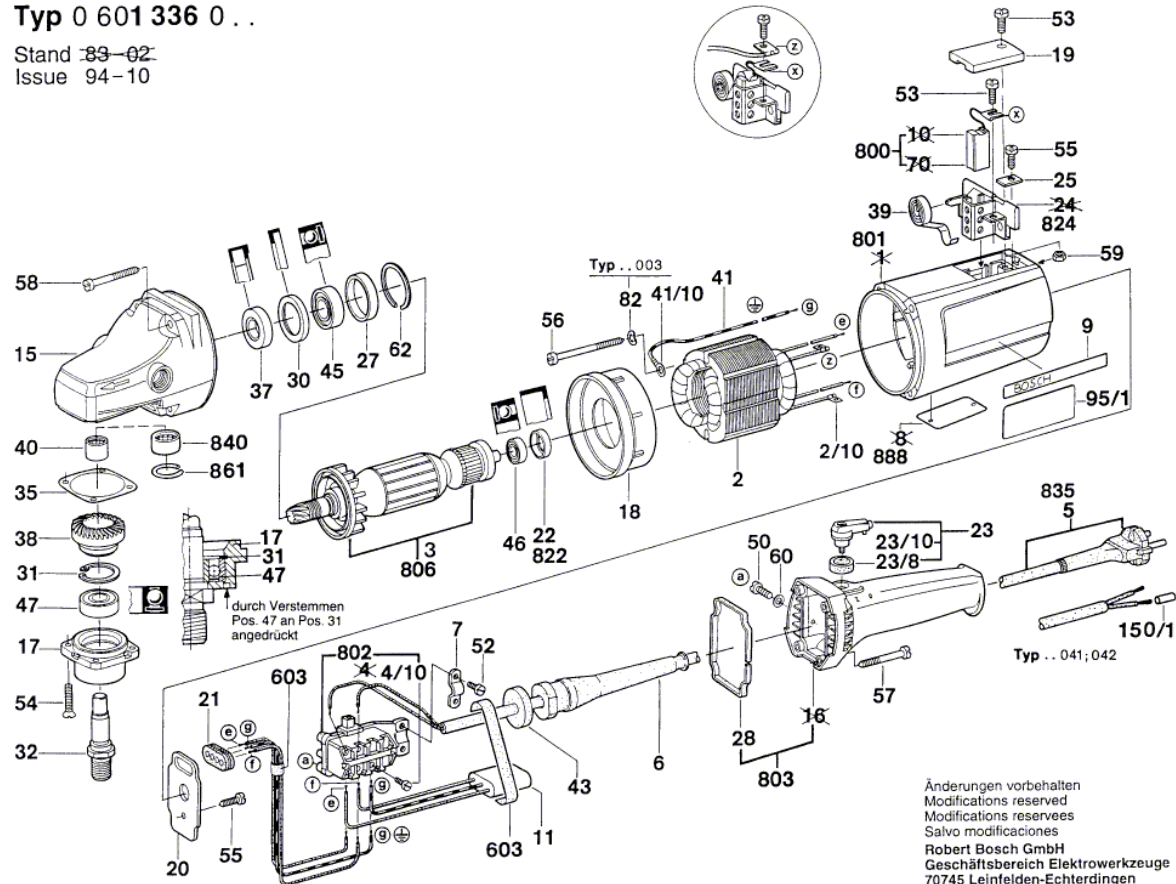
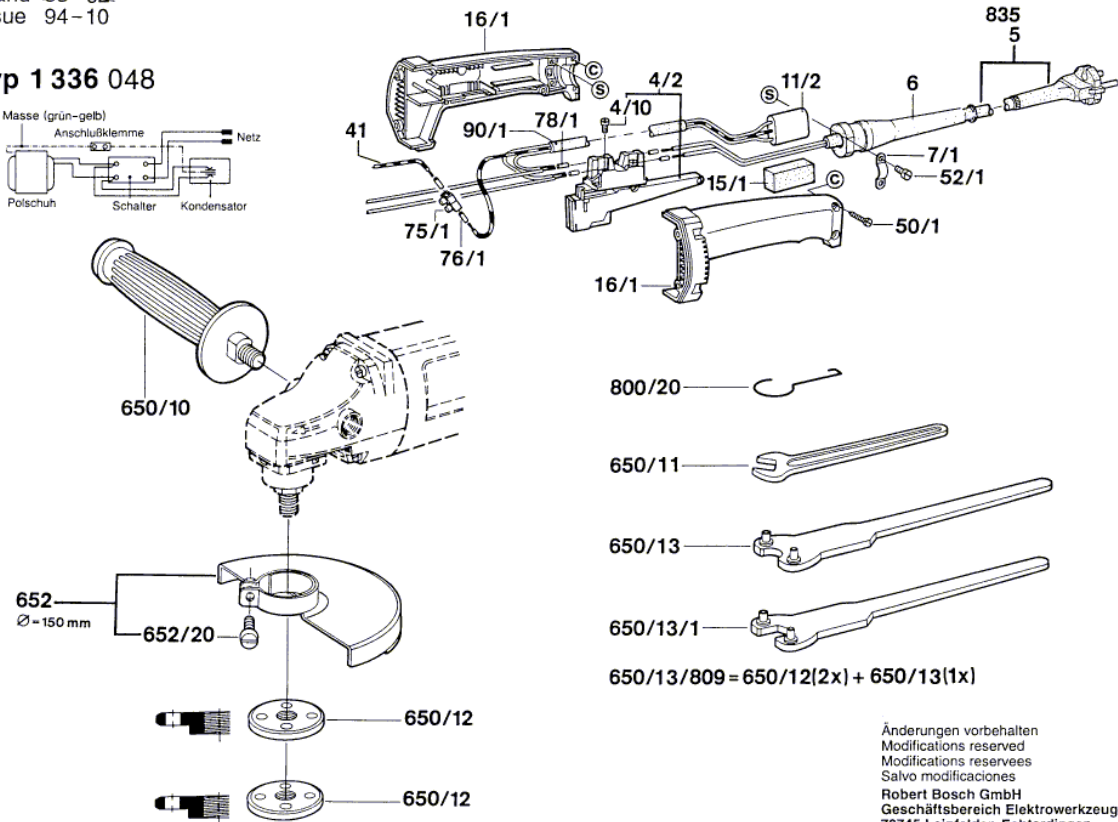
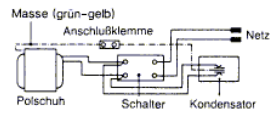


Illustration - Type - E

Typ 0 601 336 0 . .

Stand 89-02  
Issue 94-10

Typ 1 336 048



Änderungen vorbehalten  
Modifications reserved  
Modifications reserves  
Salvo modificaciones  
Robert Bosch GmbH  
Geschäftsbereich Elektrowerkzeuge  
70745 Leinfelden-Echterdingen