



BOSCH

Circular hand saw

----- | 0 601 556 040

Table of Content

| | |
|--------------------------|---|
| Spare parts list..... | 2 |
| Illustration - Type..... | 4 |

Spare parts list

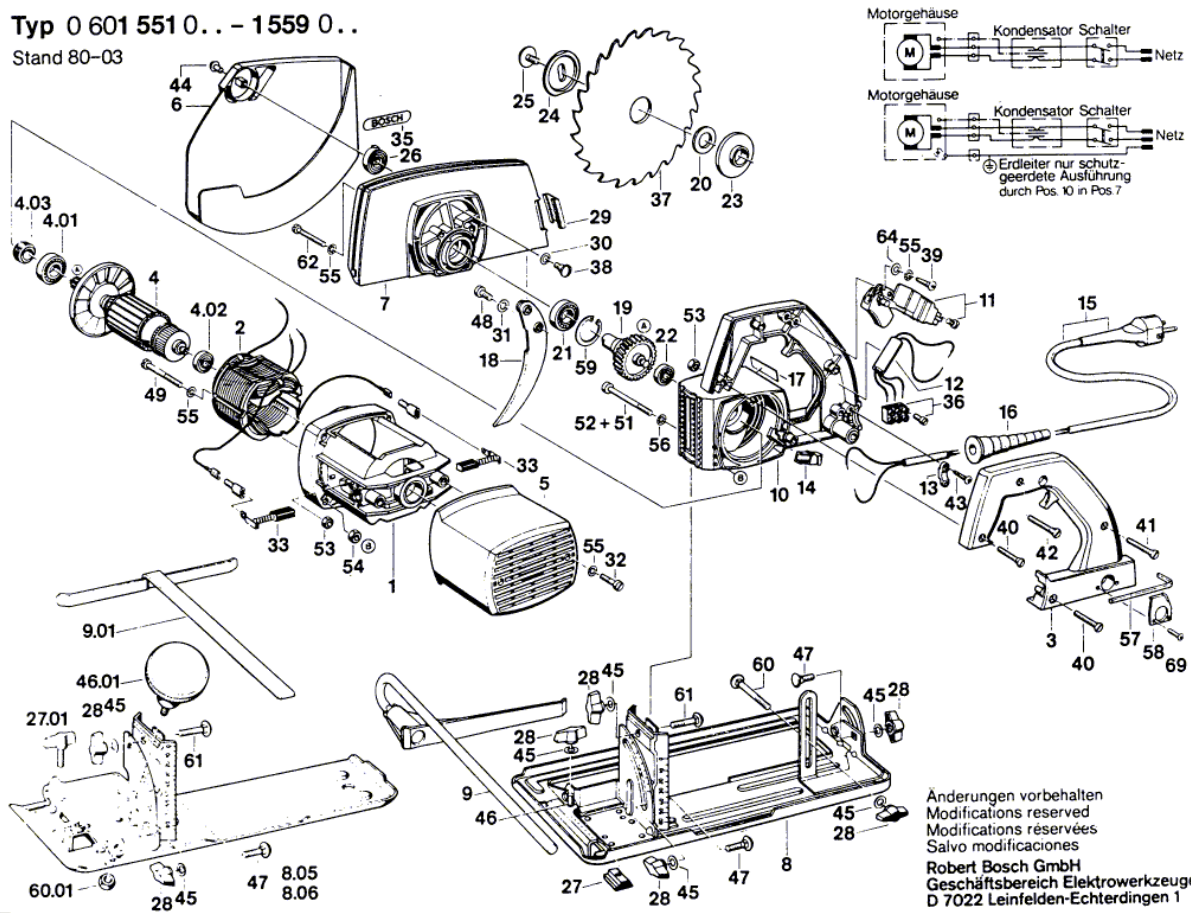
| Item | Part Number | Description | Illustration |
|------|---------------|------------------------------------|--------------|
| 1 | 1 609 251 020 | Motor Housing | 1 |
| 2 | 1 609 242 001 | Pole Shoe 220V | 1 |
| 3 | 1 609 251 018 | Handle Cover | 1 |
| 4 | 1 609 240 001 | Armature With Fan 220V | 1 |
| 5 | 1 609 255 017 | Housing Cover | 1 |
| 6 | 1 609 255 094 | Pivoting Blade Guard | 1 |
| 7 | 1 609 255 012 | Protective Cover | 1 |
| 8 | 1 609 280 027 | Base Plate | 1 |
| 9 | 1 609 213 007 | Parallel-Guide | 1 |
| 10 | 1 609 258 004 | Intermediate Flange | 1 |
| 11 | 1 609 272 003 | On-Off Switch | 1 |
| 12 | 1 609 200 750 | Suppression Filter | 1 |
| 13 | 1 609 213 000 | Fastening Clamp | 1 |
| 14 | 1 609 207 000 | Grommet | 1 |
| 15 | 1 607 000 391 | Power supply cord | 1 |
| 16 | 1 600 703 013 | Grommet | 1 |
| 19 | 1 609 263 002 | Cylindrical Gear Z=50 | 1 |
| 20 | 1 609 201 003 | Locating Ring | 1 |
| 21 | 1 900 905 163 | groove ball bearing 17x35x10 | 1 |
| 22 | 1 900 900 235 | groove ball bearing 627 Y DIN 625 | 1 |
| 23 | 1 609 257 000 | Intermediate Flange | 1 |
| 24 | 1 609 257 001 | Conical Spring Washer | 1 |
| 25 | 1 603 414 007 | Hex Socket Head Cap Screw M6x14 MM | 1 |
| 26 | 1 604 652 009 | Spiral Spring | 1 |
| 27 | 1 609 234 016 | Wing Screw M6x20 MM | 1 |
| 28 | 1 609 233 000 | Wing Nut M6 | 1 |
| 29 | 1 602 386 002 | Rubber Buffer | 1 |
| 30 | 1 600 100 633 | Plain Washer 0,3 MM THICK | 1 |
| 31 | 1 609 201 082 | Plain Washer Ø6,4xØ16x2 MM | 1 |
| 32 | 1 609 234 001 | Socket head cap screw | 1 |
| 33 | 1 609 243 000 | Carbon Brush | 1 |
| 35 | 1 601 110 016 | Manufacturer's nameplate | 1 |
| 36 | 1 609 210 001 | Sleeve Terminal | 1 |
| 37 | 1 609 286 026 | Circular Saw Blade Z=20 | 1 |
| 38 | 2 910 271 147 | Pan head screw DIN 923-M5x5-5.8 | 1 |

Spare parts list

| Item | Part Number | Description | Illustration |
|------|---------------|---|--------------|
| 39 | 2 910 611 018 | Tapping Screw DIN 7981-ST3,9x13-C-H | 1 |
| 40 | 2 910 501 134 | Countersunk-Head Screw DIN 63-BM4x30-5,8 | 1 |
| 41 | 2 910 501 132 | Countersunk-Head Screw AM 4x25 DIN 63-5,8 | 1 |
| 42 | 2 910 501 136 | Countersunk-Head Screw | 1 |
| 43 | 2 912 401 020 | Tapping Screw DIN 7981-3,9x19-C-Z-ST | 1 |
| 44 | 2 917 721 051 | Round-Head Grooved Pin 2,6x3 DIN 1476-ST | 1 |
| 45 | 2 916 011 014 | Plain Washer DIN 125-A 6,4-ST | 1 |
| 46 | 2 912 171 201 | Stud BM 6x20 DIN 938-5,6 | 1 |
| 47 | 2 910 281 196 | Round-Head Bolt M6x15 DIN 603 | 1 |
| 48 | 2 910 375 193 | Hex Socket Head Cap Screw DIN 6912 M6x12-8,8 | 1 |
| 49 | 2 910 021 658 | Socket head cap screw DIN 84-BM4x65-8,8 | 1 |
| 51 | 2 910 141 172 | Hex Socket Head Cap Screw DIN 912-M5x45-8,8 | 1 |
| 52 | 2 910 141 164 | Hex Socket Head Cap Screw DIN 912-M5x25-8,8 | 1 |
| 53 | 2 915 011 005 | Hex Nut DIN 934 -M4-m-8 | 1 |
| 54 | 2 915 051 105 | Hex Nut DIN 439-AM5-04 | 1 |
| 55 | 2 916 060 005 | Spring Washer DIN 137-A 4-ST | 1 |
| 57 | 2 610 364 015 | Hexagon Socket Screw Key 5 MM | 1 |
| 58 | 1 609 213 001 | Holding Spring | 1 |
| 59 | 2 916 660 014 | Spring retaining ring DIN 472 35x1,5 MM | 1 |
| 61 | 2 910 281 205 | Round-Head Bolt DIN 603 - M6x30 | 1 |
| 62 | 2 910 611 037 | Tapping Screw B 4,8x32 DIN 7981 | 1 |
| 62 | 2 910 611 082 | Tapping Screw B 3,9x32 DIN 7981 | 1 |
| 64 | 2 916 011 010 | Plain Washer DIN 125-A4,3-ST | 1 |
| 69 | 2 603 490 017 | Torx Oval-Head Screw 3x10 | 1 |

Illustration - Type - E

Typ 0 601 551 0.. - 1559 0..
Stand 80-03



B6

Änderungen vorbehalten
Modifications reserved
Modifications réservées
Salvo modificaciones
Robert Bosch GmbH
Geschäftsbereich Elektrowerkzeuge
D 7022 Leinfelden-Echterdingen 1