



BOSCH

Router

----- | 0 601 611 739

Table of Content

Spare parts list.....	2
Illustration - Type.....	5

Spare parts list

Item	Part Number	Description
1	3 605 108 589	Housing BLUE
2	3 604 220 536	Field 110-115V
3/70	3 606 610 517	Fan
4	3 605 702 592	Fan Housing
5	3 605 500 574	Housing Cover
6	3 605 500 596	Sealing cap
7	3 605 702 595	Base
8	3 600 190 515	Intermediate Plate
9	3 605 133 519	Handle BLUE
10	3 605 133 520	Handle BLUE
11	3 604 441 507	Connecting Cable
12	3 600 190 516	Toothed lock washer
13	3 607 200 510	Switch
14	1 607 328 034	Suppression Filter
15	3 601 032 500	Fastening Clamp
16	2 910 611 011	Tapping Screw DIN 7981-ST3,5x13-C-H
17	3 604 460 561	Power supply cord
18	3 600 707 503	Grommet Ø 9,4 MM
19	3 603 415 556	Shoulder Screw M4
20	1 611 331 007	Tab Washer
21	1 604 336 008	Brush Holder
22	3 603 500 500	Set screw
23	2 910 611 018	Tapping Screw DIN 7981-ST3,9x13-C-H
24	2 910 611 019	Tapping Screw DIN 7981-ST3,9x16-C-H
25	2 910 141 197	Hex Socket Head Cap Screw DIN 912-M6x16-8.8
26	1 614 652 001	Spiral Spring
29	1 613 412 001	Tapping Screw B 4,8x68 MM
30	1 900 905 276	groove ball bearing 6200-2 RS/C 3
31	3 600 119 507	Spring retaining ring
32	3 600 900 526	groove ball bearing
33	3 600 034 503	fixing plate
34	3 603 415 559	Rec ct-sunk tapping screw
35	3 603 301 522	Hex Nut
36	3 600 499 520	Collet Ø 1/2"

Spare parts list

Item	Part Number	Description
37	3 601 961 500	Retaining Bracket
38	3 604 613 502	Compression Spring
39	2 910 611 034	Screw DIN 7982-ST4,8x19
40	3 603 415 540	Screw 4x13 MM
41	3 600 232 503	Depth-Gauge
42	2 916 650 014	Spring retaining ring DIN 471 25x1,2
43	3 601 254 501	Leaf Spring
44	3 602 033 501	Locking Lever
45	3 603 053 503	Axle
46	3 604 613 503	Compression Spring
47	2 910 951 118	Oval-Head Screw DIN 7985-M4x8-8.8-H
48	2 915 065 007	Hex Nut DIN 985-M10-10
49	2 603 345 015	Adjusting Nut
50	3 603 120 501	Guide Piece
51	3 602 000 509	Adjusting lever
52	3 604 651 501	Clamping Spring
53	3 602 202 500	Adjusting Eccentric
54	2 916 011 010	Plain Washer DIN 125-A4,3-ST
55	2 915 061 002	Hex Nut DIN 985-M4-8
56	3 603 415 560	Screw B 4,8x45 MM
57	3 604 619 502	Compression Spring
58	2 915 055 108	Hex Nut DIN 439-BM10-04
59	3 916 060 500	Spring Washer
61	3 601 119 655	Sticker
62	3 603 313 507	Union Nut SW27
63	3 605 510 526	Protective Shield
65	2 910 601 433	Tapping Screw DIN 7982-ST4,8x18-F-H
67	3 604 542 501	Rotor
68	3 607 230 510	Control Switch 115V
69	2 910 091 120	Pan head screw DIN 85-M4x10-4.8
69	3 603 430 503	Pan head screw LEFTHAND THREADS
72	3 608 040 506	Clamping Saddle
73	3 601 007 502	Insulating Tube
74	3 600 590 504	Air-Deflector Ring
75	1 601 030 022	Tab Washer

Spare parts list

Item	Part Number	Description
80	2 914 411 045	Thread-forming tap. Screw 4x8-ST DIN 7500-CM
656	3 608 570 505	Collet Ø 12 MM
701/5	3 600 499 502	Collet 1/4" 3/8"
701/5	3 600 499 503	Collet 1/4"
701/5	3 608 570 500	Collet Ø 6 MM
701/5	3 608 570 502	Collet Ø 8 MM
701/5	3 608 570 504	Collet Ø 10 MM
800	1 607 014 103	Carbon-Brush Set
809	2 603 410 001	Socket head cap screw M3x6,5-4.8
810	3 601 119 595	Nameplate
823	3 607 000 547	Control Switch
830	3 604 012 503	Armature With Fan 110-115V
888	1 601 11A 3H3	Nameplate
650	3 607 000 620	Parallel-Guide
650/10	3 602 386 501	Guide Plate
650/10	3 605 700 511	Intermediate Plate
650/30	2 916 011 012	Plain Washer DIN 125-A5,3-ST
650/40	2 910 011 154	Socket head cap screw DIN 84-AM5x12-5.8
650/50	2 915 011 006	Hex Nut DIN 934-M 5-m-8
650/60	3 603 001 518	Guide Rod 10 MM
650/70	1 603 480 018	Wing Screw M6
650/70	2 603 480 003	Wing Screw M 6x16 MM
650/80	3 601 119 612	Manufacturer's nameplate
654	3 605 703 528	Tool Guide Ø 30 MM
657	2 607 950 504	Single-Head Eng. Wrench
658	1 907 950 514	Single-Head Eng. Wrench DIN 894 SW27
700	3 605 703 527	Tool Guide Ø 27 MM
700	3 605 703 529	Tool Guide Ø 40 MM
814	3 603 415 553	Countersunk-Head Screw
816	3 603 029 500	floating indicator
824	3 608 939 626	Vacuum Adapter

Illustration - Type - E

Typ 0 601 611 7.. = GOF 1700 E

Stand | 90-99
Issue | 94-09

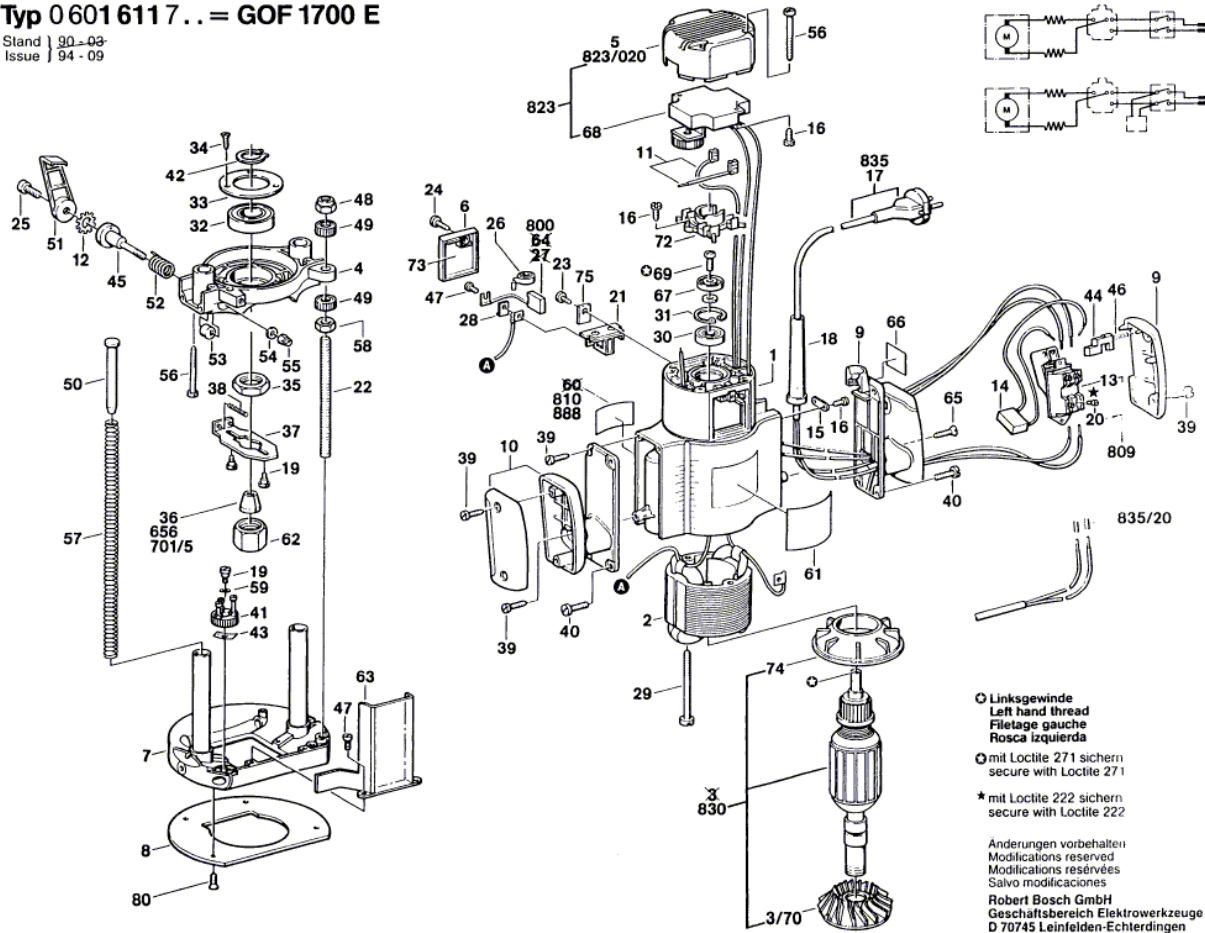
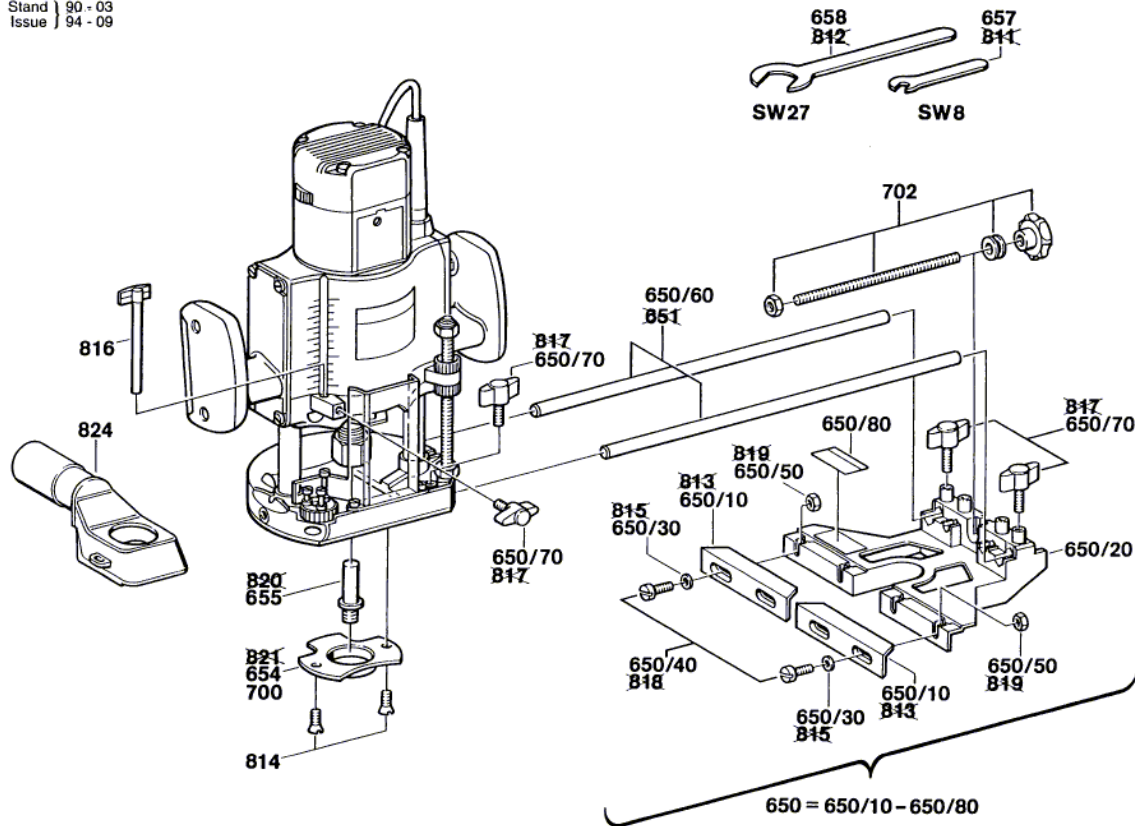


Illustration - Type - E

Typ 0 601 611 7.. = GOF 1700 E

Stand | 90 - 03
 Issue | 94 - 09



Änderungen vorbehalten
 Modifications reserved
 Modifications réservées
 Salvo modificaciones
 Robert Bosch GmbH
 Geschäftsbereich Elektrowerkzeuge
 D 70745 Leinfelden-Echterdingen

Illustration - Type - E

Typ 0 601 611 7.. = GOF 1700 E

**Neue Ausführung
New Execution
Nouvelle Exécution
Nueva Ejecución**

**Alte Ausführung
Old Execution
Ancien Exécution
Vieja Ejecución**

