



**BOSCH**

# Biscuit Jointer

----- | 0 601 620 039

---

## Table of Content

Spare parts list.....	2
Illustration - Type.....	6

## Spare parts list

Item	Part Number	Description
1	1 619 P09 772	Motor Housing
2	1 604 220 330	Field 110-115V
3	1 604 010 628	Armature 110-115V
3/50	1 606 610 141	Fan
4	1 607 200 146	Switch
5	2 604 460 122	Power supply cord USA/CDN 2,15m 2 x 0,82mm SJ 18/2
6	2 600 703 013	Grommet Ø7,6-Ø8,2x95 MM
7	1 601 302 017	Fastening Clamp
9	3 601 110 610	Manufacturer's nameplate
13	2 600 905 032	Ball Bearing 7x19x6
14	1 600 905 016	groove ball bearing 8x22x7
16	1 619 P01 811	Brush Holder
17	1 604 652 013	Spiral Spring
18	1 604 611 031	Compression Spring
22	1 602 319 009	Adjusting Slide
23	1 602 026 068	Switch Handle BLACK
25	1 605 500 194	Housing Cover BLUE
26	1 600 502 024	Intermediate Ring
27	1 600 206 025	Rubber Ring
29	1 600 591 023	Air-Deflector Ring
30	1 600 591 024	Air-Deflector Ring
37	1 600 100 033	Cover Disc
38	2 609 110 150	Conversion Gear
39	2 609 110 149	Pinion
41	1 600 910 018	Needle bearing Ø8xØ12x8 MM
45	2 915 011 007	Hex Nut DIN 934-M6-8-A
47	2 603 490 021	Torx Oval-Head Screw 4x12
48	2 603 490 017	Torx Oval-Head Screw 3x10
50	2 912 401 420	Tapping Screw DIN7981-ST3,9x19-F-Z
55	2 603 490 024	Torx Oval-Head Screw 4x25
57	2 910 641 081	Oval-Head Screw DIN7985-M3,5x5-4.8-H
144	3 600 200 047	Ring Piece
808	3 601 110 451	Nameplate
810	1 607 014 144	Carbon-Brush Set

## Spare parts list

Item	Part Number	Description
821	1 605 806 466	Gear Housing
821/010	1 607 000 298	Push-Button BLACK
32	3 606 120 040	Spindle M10
33	3 600 210 136	O-Ring 42,0x1,0 MM
35	1 600 136 016	Shim 0,1 MM THICK
35	1 600 136 017	Shim 0,2 MM THICK
49	2 914 491 410	Thread-forming tap. Screw M4x16
125	2 916 660 013	Retaining clip DIN 472-32x1,2 MM
126	1 600 900 03C	groove ball bearing
129	2 910 281 196	Round-Head Bolt M6x15 DIN 603
130	3 609 202 C19	Frame
131	3 609 202 376	Straight Pin
133	3 609 202 378	Extension Spring
134	3 609 202 379	Compression Spring
135	3 609 202 380	Ball
136	2 916 190 012	Shim ring DIN 988-6x12x0,5
137	3 603 300 018	Hex Nut M 6x13, SW10
138	3 601 923 020	Tensioning Lever
139	2 910 641 191	Oval-Head Screw DIN 7985-M6x10-4.8
141	3 609 202 382	Spring retaining ring
143	3 603 376 009	Round Nut
145	3 605 700 154	Clamping-Flange Ø 22 MM
146	3 609 202 384	Leaf Spring
147	3 609 202 C05	Screw Plug
148	3 609 202 386	O-Ring
149	3 609 202 387	Vacuum Connection
180	2 916 190 013	Shim ring 1,0 MM
181	2 911 051 197	Hex Screw DIN 933-M6x16-5.6-A
182	3 609 202 391	Angle Frame
183	3 609 202 C10	Knurled Thumbscrew
184	3 609 202 C11	Leaf Spring
185	3 609 202 394	Toothed Gear
187	3 609 202 432	Scale
188	3 609 202 C13	Clamping Piece
192	1 600 100 631	Shim 0,5 MM THICK

## Spare parts list

Item	Part Number	Description
195	3 600 905 123	Plain bearing
755	3 608 641 013	Side-Milling Cutter    Ø 105x22x4 MM, Z=8-HM
840	3 609 202 381	Rubber Bar
858	3 609 202 431	Upper Housing
860	3 607 031 857	Stopper
866	3 603 410 021	Adjusting Screw
873	3 603 376 005	Round Nut
890	3 607 031 514	Intermediate Flange
891	3 609 202 374	Straight Pin
128	3 609 202 C01	Straight Pin
132	3 609 202 C15	O-Ring
140	3 609 202 C03	Rubber Plug
158	3 609 202 C06	Upper Housing
159	3 609 202 C07	Socket head cap screw
160	3 609 202 C08	Stopper
166	3 609 202 C17	Adjustment aid
173	3 609 202 C18	Hex Nut
175	3 609 202 C14	Set screw
176	3 609 202 C16	Cover
828	3 607 031 855	Intermediate Flange
829	3 607 031 856	Housing Base
119	2 910 135 289	Hex Socket Head Cap Screw    DIN 7984-M10x20
120	3 602 025 015	Handle    BLACK
657	3 609 202 397	Intermediate Plate
750	3 605 438 031	Carrying Case
754	1 607 950 043	Pin-Type Face-Wrench
756	3 605 411 003	Dust Bag
758	2 607 000 837	Air Hose    Ø35MM,3M,1
759	1 609 202 230	Air Hose    Ø 35 MM, L=5 M
760	2 607 000 796	Flat Key    50 ST.,GR.0
761	2 607 000 797	Flat Key    50 ST.,GR.10
762	2 607 000 103	Flat Key    50 PIECE
763	2 607 000 147	Flat Key    GR. 0    1000 PIECE
764	2 607 000 148	Flat Key    GR.10    1000 PIECE

Spare parts list

Item	Part Number	Description	
765	2 607 000 149	Flat Key GR.20	1000 PIECE
768	1 600 499 005	Fitting	Ø 25x35 MM
769	3 608 641 002	Side-Milling Cutter	Ø 105x20x2,8 MM, Z=22
770	3 605 700 155	Clamping-Flange	Ø 20 MM

Illustration - Type - E

0 601 620 003  
 Stand | 18-11  
 Issue | 22-07-22

Fig./Abb. 1

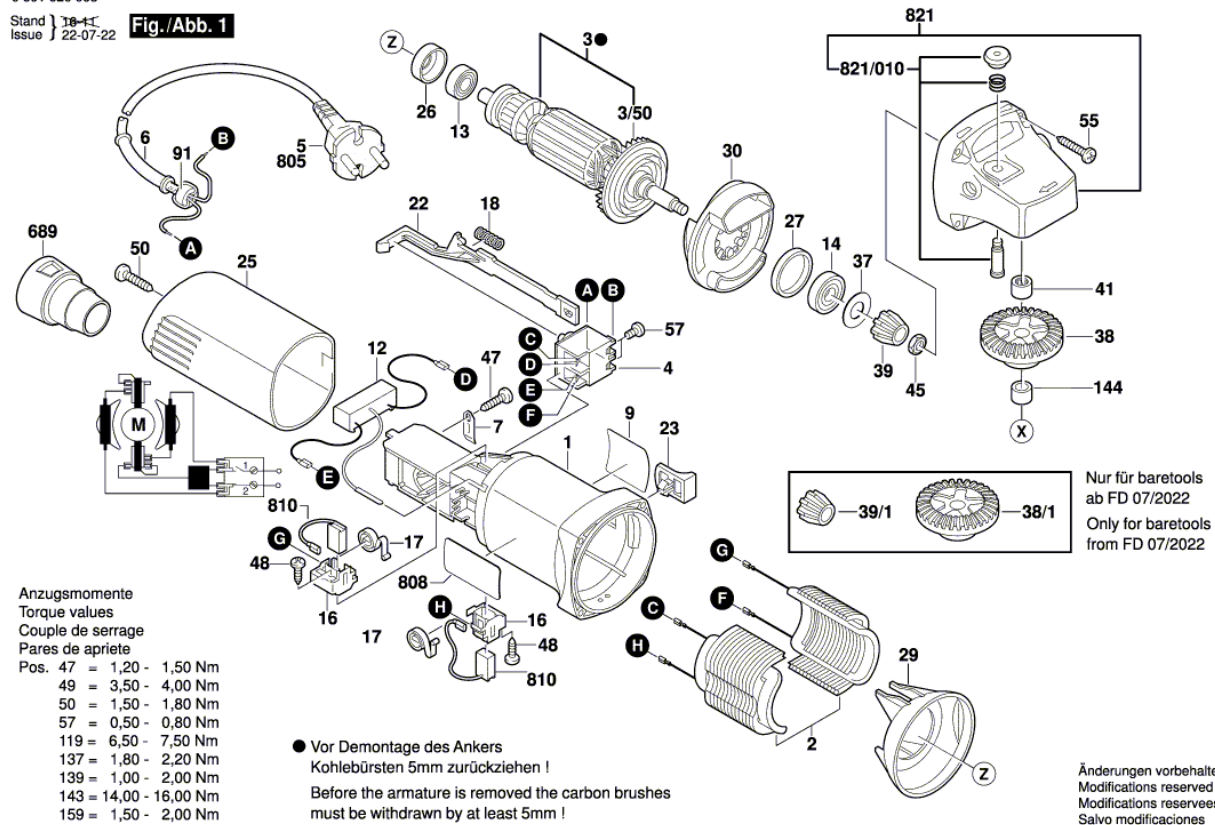


Illustration - Type - E

0 601 620 003  
 Stand | 18-02  
 Issue | 22-05-25

Fig./Abb. 2

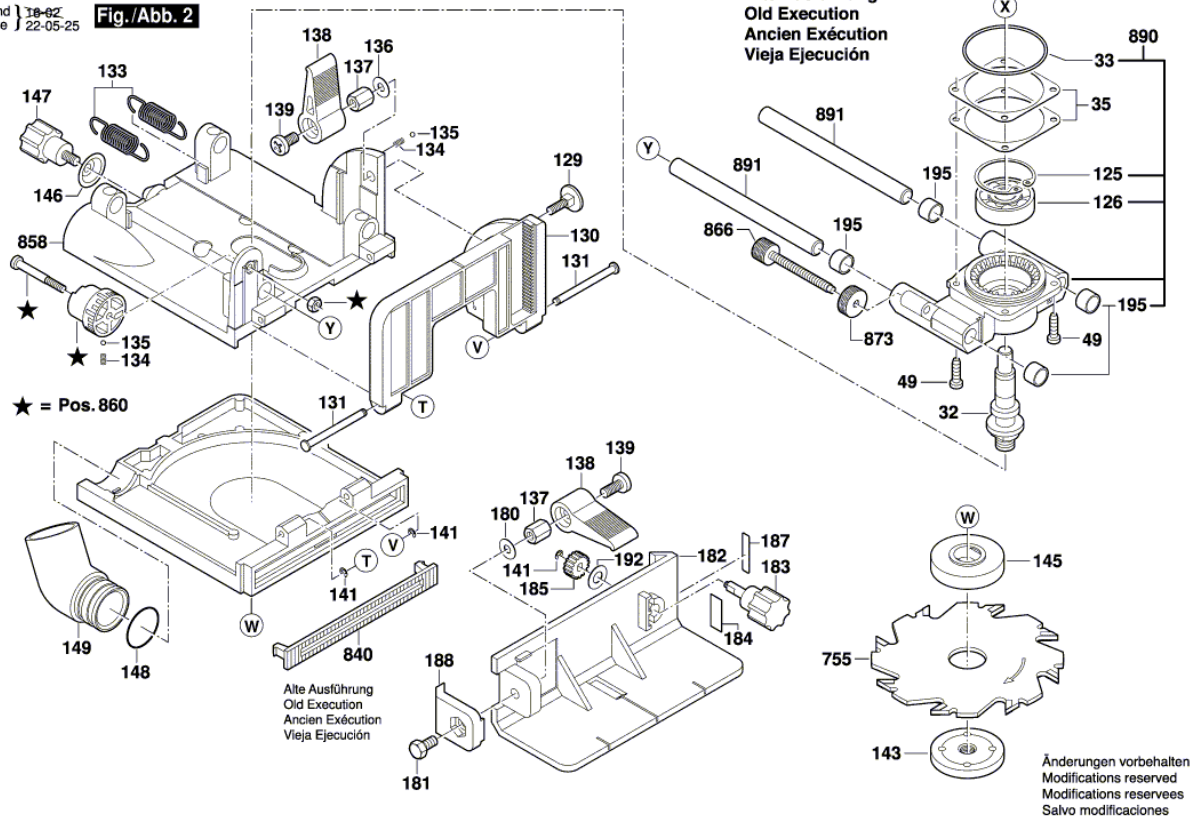


Illustration - Type - E

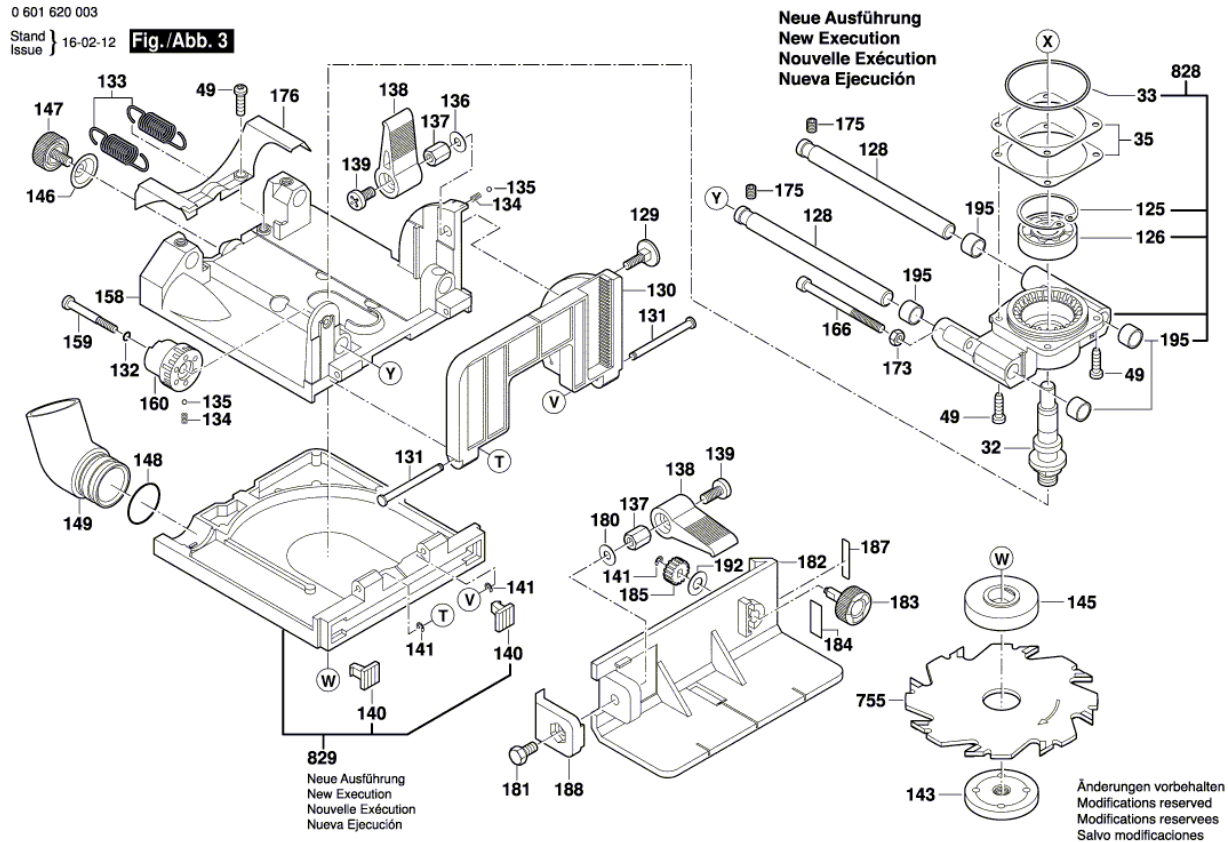




Illustration - Type - E

