



BOSCH

Straight Grinders

----- | 0 602 232 085

Table of Content

Spare parts list.....	2
Illustration - Type.....	4

Spare parts list

Item	Part Number	Description	
1	1 605 102 107	Motor Housing	
2	1 600 209 009	Seal Ring	
3	1 604 229 164	Stator	220V/360HZ
4	1 600 306 000	Grommet	
6	1 603 402 004	Set screw	
7	1 600 500 014	Guide Pulley	
9	1 600 210 006	O-Ring	74,0x3,0 MM
12	1 605 806 118	Spindle Bearing	
12/1	1 600 108 043	Sealing disk	
13	1 603 052 010	Grinding Spindle	5/8"-11 NC-3
14	1 600 114 035	Shim washer	
15	1 900 900 336	groove ball bearing	6204 DIN 625
16	1 603 344 005	Threaded Ring	
18	1 900 905 253	groove ball bearing	6203 RSY DIN 625
19	3 600 290 004	Sealing disk	6203 ZAV NILOS-RI
20	1 606 320 060	Cylindrical Gear	Z=48
27	1 605 132 083	Handle	BLUE
29	1 600 703 009	Grommet	Ø11,5-Ø15,0x150 MM
30	1 604 462 063	Elec. Cable W/Connection	
32	3 607 200 005	Switch	
33	1 601 303 003	Fastening Clamp	
36	1 601 106 002	Nameplate	
37	3 603 133 001	Grooved Nail	DIN 1476-2x5 MM
41	2 910 011 120	Socket head cap screw	DIN 84-AM4x10-5.8
42	2 910 141 170	Hex Socket Head Cap Screw	DIN 912-M5x40-8.8
43	2 910 141 215	Hex Socket Head Cap Screw	DIN 912-M6x55-8.8
44	2 910 110 122	Pan head screw	DIN 85-MS-M 4x12
45	3 601 321 001	Clamping Saddle	
47	1 604 080 087	Rotor Without Winding	
48	1 605 820 147	Bearing Housing	
49	1 600 501 019	Bearing cover	
50	1 600 501 024	Cover Disc	
51	1 600 108 018	Felt Disc	
52	1 900 900 273	groove ball bearing	6003 Y DIN 625

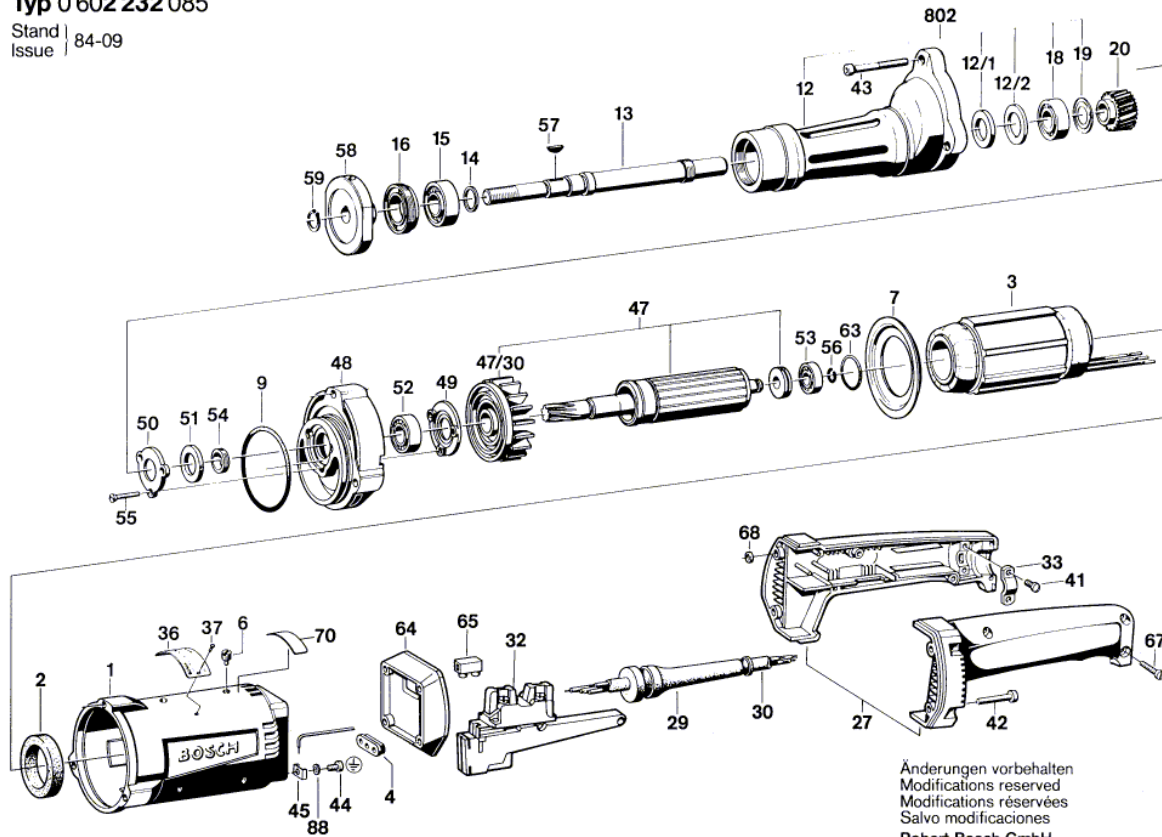
Spare parts list

Item	Part Number	Description
53	1 900 905 121	groove ball bearing 12x28x8
54	1 603 344 031	Threaded Ring
55	3 603 435 051	Torx Flat-Head Screw M4x20
56	2 916 600 007	Retaining ring 12 DIN 9045
57	1 900 023 006	Woodruff Key DIN 6888-4x5-ST60-2
58	1 605 703 046	Clamping-Flange Ø 76 MM
59	2 916 650 007	Spring retaining ring DIN 471 16x1MM
63	1 120 210 000	O-Ring
64	1 605 700 013	Intermediate Flange
65	1 601 091 007	connecting terminal
67	2 910 211 021	Tapping Screw DIN 7971-ST3,9x22-F
68	1 600 203 000	Backup ring
70	3 601 119 236	Reference Plate
88	3 600 150 006	Spring Washer Ø4,2 MM
802	1 607 000 056	Spindle Bearing

Illustration - Type - E

Typ 0 602 232 085

Stand | 84-09
Issue |



Änderungen vorbehalten
Modifications reserved
Modifications réservées
Salvo modificaciones
Robert Bosch GmbH
Geschäftsbereich Elektrowerkzeuge
D 7022 Leinfelden-Echterdingen 1

0 602 232 085