



BOSCH

Straight Grinders

----- | 0 602 235 087

Table of Content

Spare parts list.....	2
Illustration - Type.....	4

Spare parts list

Item	Part Number	Description
1	1 605 102 107	Motor Housing
2	1 600 209 009	Seal Ring
3	1 604 229 219	Stator 230V/180HZ
4	1 600 306 000	Grommet
6	1 603 402 004	Set screw
7	1 600 500 014	Guide Pulley
9	1 600 210 006	O-Ring 74,0x3,0 MM
10	1 606 320 072	Cylindrical Gear Z=17
12	1 605 806 118	Spindle Bearing
12/1	1 600 108 043	Sealing disk
12/2	3 600 290 004	Sealing disk 6203 ZAV NILOS-RI
13	1 603 052 010	Grinding Spindle 5/8"-11 NC-3
14	1 600 114 035	Shim washer
15	1 900 900 336	groove ball bearing 6204 DIN 625
16	1 603 344 005	Threaded Ring
18	1 900 905 253	groove ball bearing 6203 RSY DIN 625
20	1 606 320 073	Toothed Gear Z=41
27	1 605 132 083	Handle BLUE
29	1 600 703 009	Grommet Ø11,5-Ø15,0x150 MM
30	1 604 462 063	Elec. Cable W/Connection
32	3 607 200 005	Switch
33	1 601 303 003	Fastening Clamp
36	3 601 106 053	Nameplate
37	3 603 133 001	Grooved Nail DIN 1476-2x5 MM
41	2 910 011 120	Socket head cap screw DIN 84-AM4x10-5.8
42	2 910 011 170	Socket head cap screw DIN 84-BM5x40-5.8
43	2 910 141 215	Hex Socket Head Cap Screw DIN 912-M6x55-8.8
44	2 910 110 122	Pan head screw DIN 85-MS-M 4x12
45	3 601 321 001	Clamping Saddle
47	1 604 080 076	Rotor Without Winding
48	1 605 820 147	Bearing Housing
49	1 600 501 019	Bearing cover
50	1 600 501 024	Cover Disc
51	1 600 108 018	Felt Disc

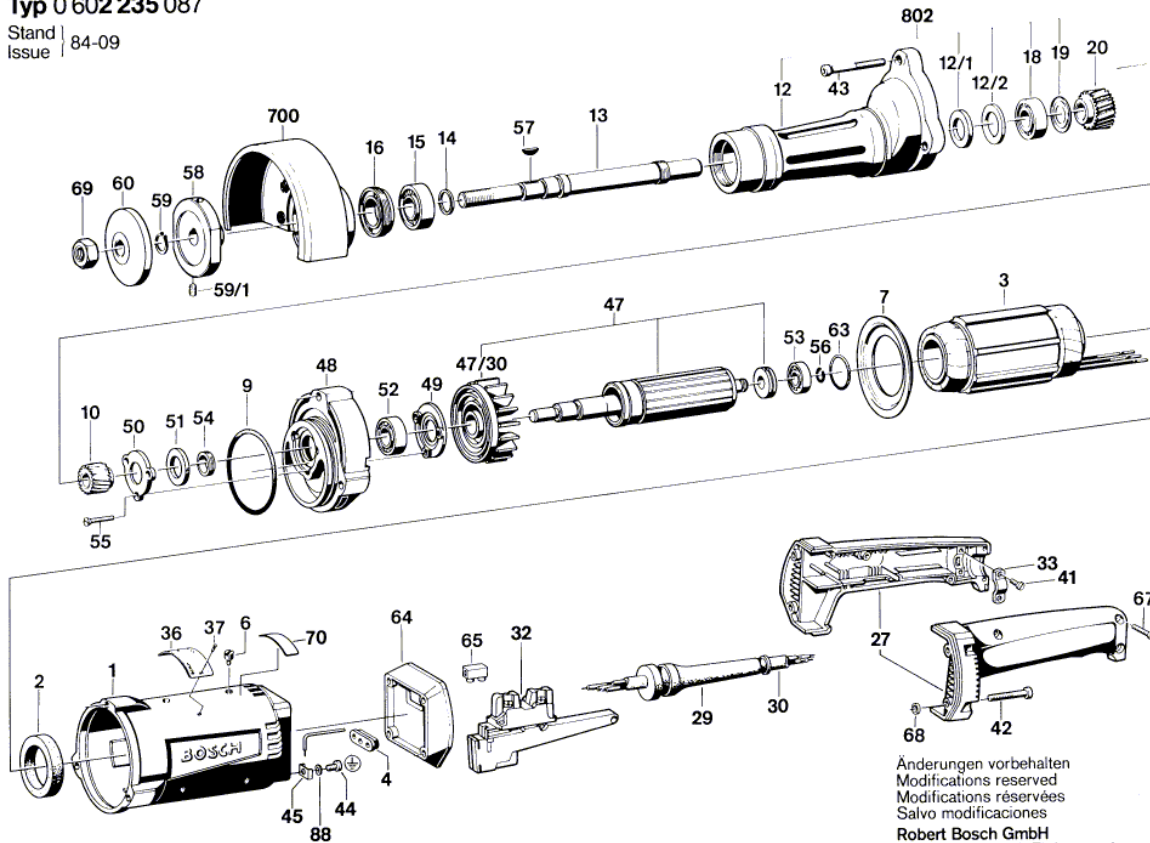
Spare parts list

Item	Part Number	Description	
52	1 900 900 273	groove ball bearing	6003 Y DIN 625
53	1 900 905 121	groove ball bearing	12x28x8
54	1 603 344 042	Threaded Ring	
55	3 603 435 051	Torx Flat-Head Screw	M4x20
56	2 916 600 007	Retaining ring	12 DIN 9045
57	1 900 023 006	Woodruff Key	DIN 6888-4x5-ST60-2
58	1 605 703 046	Clamping-Flange	Ø 76 MM
59	2 916 650 007	Spring retaining ring	DIN 471 16x1MM
60	1 605 703 047	Conical Spring Washer	Ø 51 MM
63	1 120 210 000	O-Ring	
64	1 605 700 013	Intermediate Flange	
65	1 601 091 007	connecting terminal	
67	2 910 211 021	Tapping Screw	DIN 7971-ST3,9x22-F
68	1 600 203 000	Backup ring	
69	1 603 300 012	Hex Nut	5/8"-11UNC-3B, SW15/16"
70	3 601 119 236	Reference Plate	
88	3 600 150 006	Spring Washer	Ø4,2 MM
700	1 600 502 004	Protective Cover	
700	1 605 510 094	Protective Cover	Ø 8"
802	1 607 000 056	Spindle Bearing	

Illustration - Type - E

Typ 0 602 235 087

Stand | 84-09
Issue |



Änderungen vorbehalten
 Modifications reserved
 Modifications réservées
 Salvo modificaciones
 Robert Bosch GmbH
 Geschäftsbereich Elektrowerkzeuge
 D 7022 Leinfelden-Echterdingen 1

0 602 235 087