



**BOSCH**

# Rotary Hammer

----- | 0 611 202 940

---

## Table of Content

|                          |   |
|--------------------------|---|
| Spare parts list.....    | 2 |
| Illustration - Type..... | 5 |

## Spare parts list

| Item | Part Number   | Description                                     |
|------|---------------|---|
| 23   | 1 615 806 017 | Gear Housing                                    |
| 24   | 1 612 317 003 | Guide Rail                                      |
| 26   | 1 618 700 033 | Hammer Piston                                   |
| 27   | 1 618 710 030 | Striker   |
| 30   | 1 610 322 004 | Spacer Bushing                                  |
| 31   | 1 610 114 012 | Supporting Disc                                 |
| 33   | 1 618 598 062 | Bit holder                                      |
| 34   | 1 610 224 001 | Retaining snap ring                             |
| 40   | 1 615 500 194 | Sealing cap                                     |
| 41   | 1 615 133 019 | Handle  |
| 42   | 2 100 102 016 | Carrying Case    Ø32xØ25x0,3 MM                 |
| 43   | 1 617 200 017 | On-Off Switch                                   |
| 47   | 1 614 461 025 | Power supply cord                               |
| 48   | 3 600 703 011 | Grommet    Ø9,2-Ø12x120 MM                      |
| 50   | 1 901 091 013 | Socket-Terminal Strip    3x6 MM                 |
| 54   | 1 610 501 031 | Sealing cap                                     |
| 56   | 1 600 210 010 | O-Ring    35,0x1,5 MM                           |
| 59   | 1 610 210 015 | O-Ring    28,0x6,0 MM                           |
| 61   | 1 602 381 001 | Insulating Strip    33x10x6 MM                  |
| 65   | 2 916 601 014 | Retaining ring    26 DIN 9045                   |
| 68   | 1 611 015 015 | Sealing Plate    1,5 MM                         |
| 74   | 2 910 021 116 | Socket head cap screw    DIN 84-AM4x6-8.8       |
| 80   | 1 613 414 005 | Hex Socket Head Cap Screw    M5x20 MM           |
| 80   | 3 603 414 028 | Hex Socket Head Cap Screw                       |
| 82   | 2 910 151 164 | Hex Socket Head Cap Screw    M5x25 DIN 912-10.9 |
| 84   | 1 617 000 121 | Hex Socket Head Cap Screw                       |
| 85   | 2 910 211 007 | Tapping Screw    DIN 7971-BZ2,9x16              |
| 87   | 2 910 211 011 | Tapping Screw    DIN 7971-BZ3,5x13              |
| 88   | 2 910 211 021 | Tapping Screw    DIN 7971-ST3,9x22-F            |
| 103  | 2 910 141 199 | Hex Socket Head Cap Screw    DIN 912-M6x18-8.8  |
| 104  | 2 916 603 012 | Retaining ring    22 DIN 9045                   |
| 807  | 1 617 000 014 | Locking Bolt Set                                |
| 1    | 1 615 102 052 | Motor Housing                                   |
| 2    | 1 609 202 912 | Assembly Of Service Parts                       |

## Spare parts list

| Item | Part Number   | Description                             |
|------|---------------|---|
| 3    | 1 610 205 000 | Seal Ring                               |
| 4    | 1 610 910 052 | Needle-Roller Bearing                   |
| 5    | 1 614 011 025 | Armature 120V                           |
| 6    | 1 615 805 045 | Flanged Bearing                         |
| 7    | 1 610 905 000 | groove ball bearing                     |
| 8    | 1 611 038 015 | Intermediate Plate                      |
| 9    | 1 616 610 044 | Fan                                     |
| 10   | 1 615 500 123 | Housing Cover                           |
| 12   | 1 614 652 000 | Spiral Spring                           |
| 13   | 3 615 500 502 | Sealing cap                             |
| 16   | 1 615 820 045 | Bearing Housing                         |
| 17   | 1 610 910 044 | Needle bearing                          |
| 19   | 1 610 910 048 | Needle bearing                          |
| 20   | 1 616 110 013 | Eccentric Shaft Z=46                    |
| 21   | 1 616 317 013 | Cylindrical Gear Z=18                   |
| 22   | 1 610 300 043 | Bushing                                 |
| 45   | 1 610 913 000 | Thrust Needle Rim                       |
| 46   | 1 610 101 008 | Thrust Bearing Disc 1,0 MM THICK        |
| 53   | 1 611 110 194 | Manufacturer's nameplate                |
| 57   | 1 600 102 623 | Plain Washer 1,0 MM THICK               |
| 58   | 1 600 150 006 | Spring Washer DIN 137-A4                |
| 62   | 2 916 660 011 | Spring retaining ring DIN 472-28x1,2 MM |
| 64   | 2 917 721 034 | Round-Head Grooved Pin 2x6 DIN 1476-ST  |
| 66   | 1 611 015 006 | Sealing Plate                           |
| 67   | 1 611 015 007 | Sealing Plate                           |
| 70   | 2 915 061 005 | Hex Nut DIN 985-M8-8                    |
| 75   | 2 910 021 120 | Socket head cap screw DIN 84-AM4x10-8.8 |
| 77   | 2 910 021 176 | Dummy DIN 84-BM5x55-8.8                 |
| 79   | 2 910 110 118 | Pan head screw DIN 85-AM4x8-MS          |
| 83   | 1 617 000 120 | Parts Set 2 PIECE                       |
| 86   | 2 910 601 118 | Tapping Screw DIN 7972-B3,9x13          |
| 89   | 1 616 309 007 | Cylindrical Gear Z=43                   |
| 91   | 1 610 320 008 | Clutch Element                          |
| 94   | 1 903 230 009 | Ball DIN 5401-5 G28                     |
| 95   | 1 610 320 009 | Clutch Element                          |

## Spare parts list

| Item | Part Number   | Description             |
|------|---------------|-------------------------|
| 102  | 1 611 331 007 | Tab Washer              |
| 808  | 1 617 014 110 | Carbon-Brush Set        |
| 800  | 1 617 000 022 | Parts Set               |
| 801  | 1 616 309 009 | Cylindrical Gear Z=43/8 |
| 802  | 1 617 000 010 | Parts Set               |
| 802  | 1 617 000 018 | Wear and Tear Part Set  |
| 806  | 1 617 000 016 | Tool Holder Set         |

Illustration - Type - E

EW - EVW 2 / 302 / 4 X (12.76)

Typ 0 611 201 ...  
0 611 202 ...

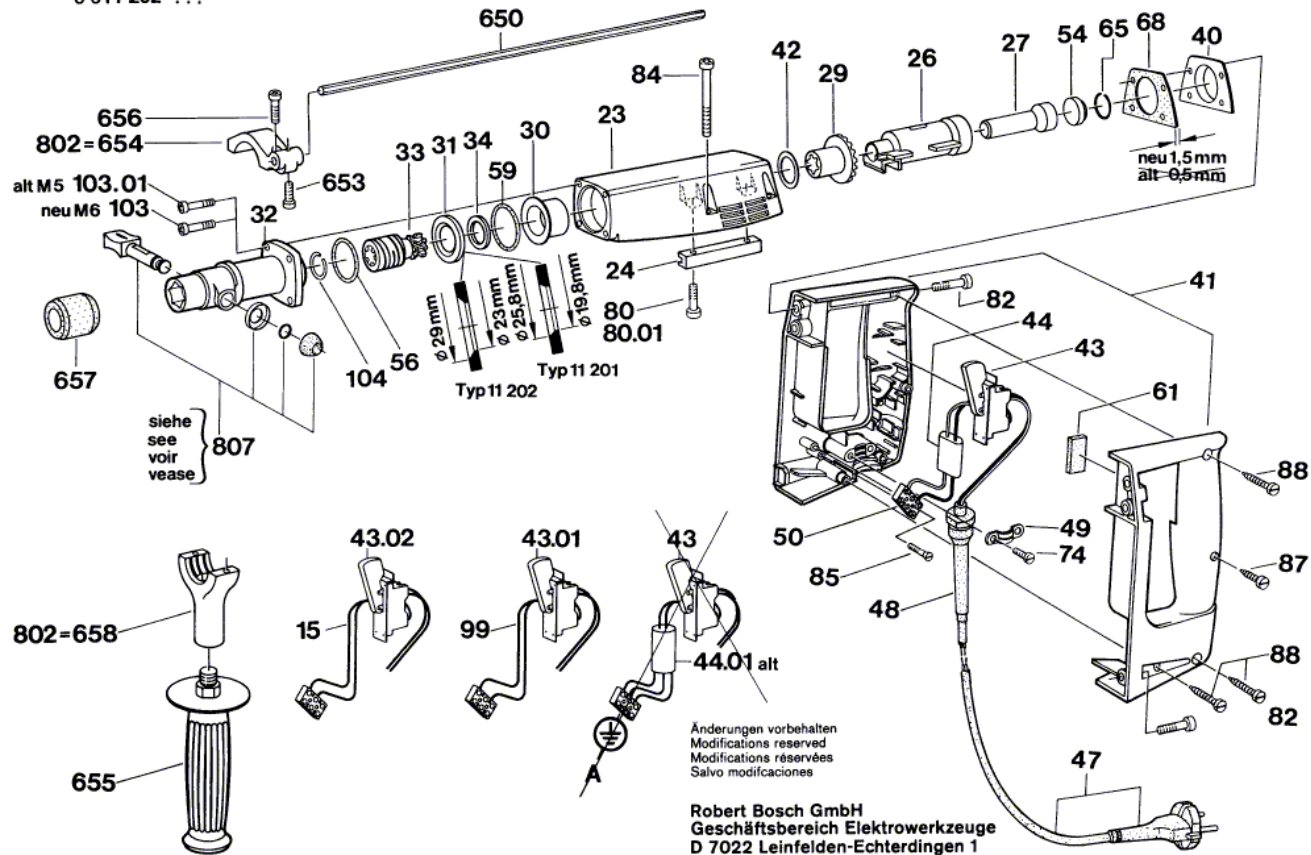


Illustration - Type - E

EW - EVW 2 / 302 / 4 X (12.76

Typ 0 611 201 ...  
0 611 202 ...

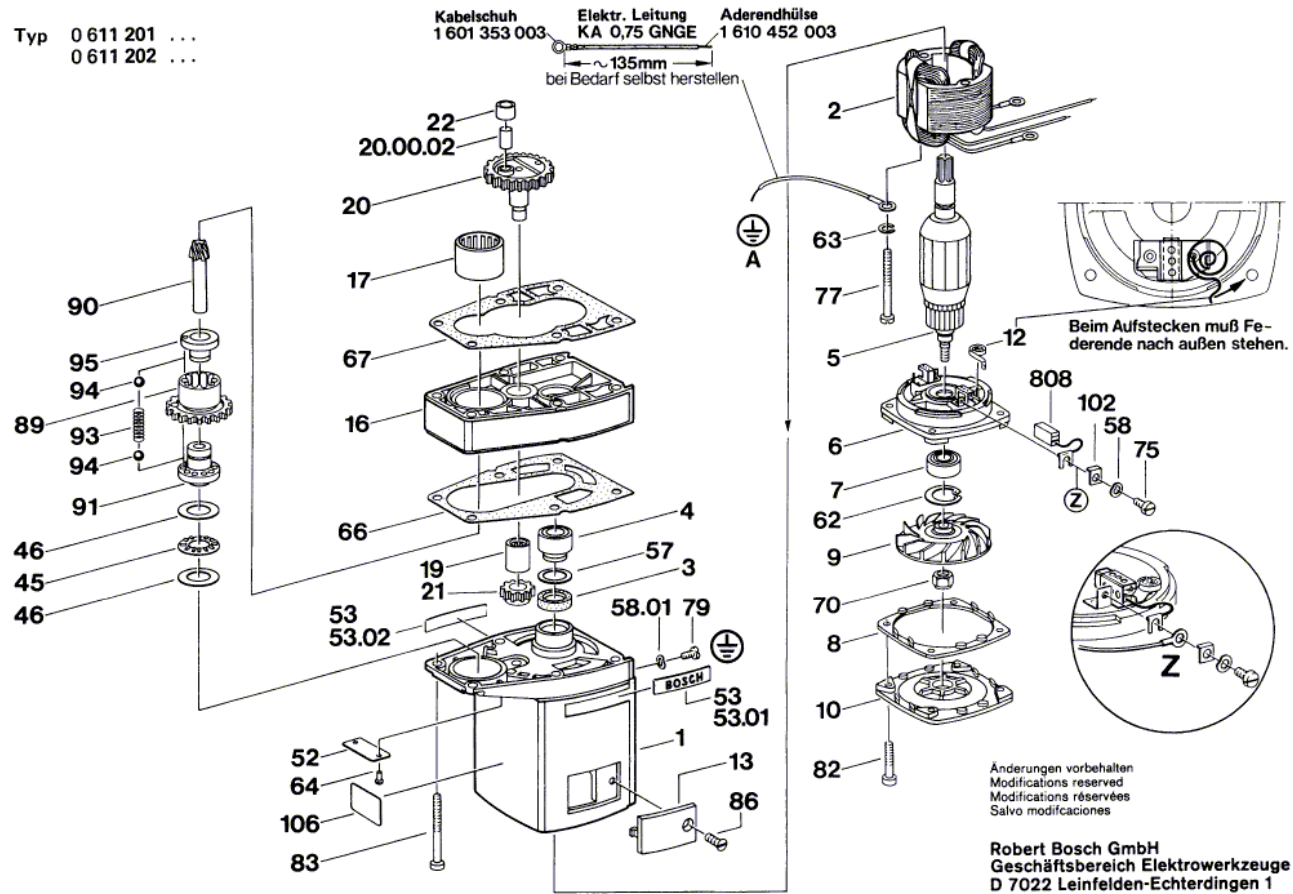
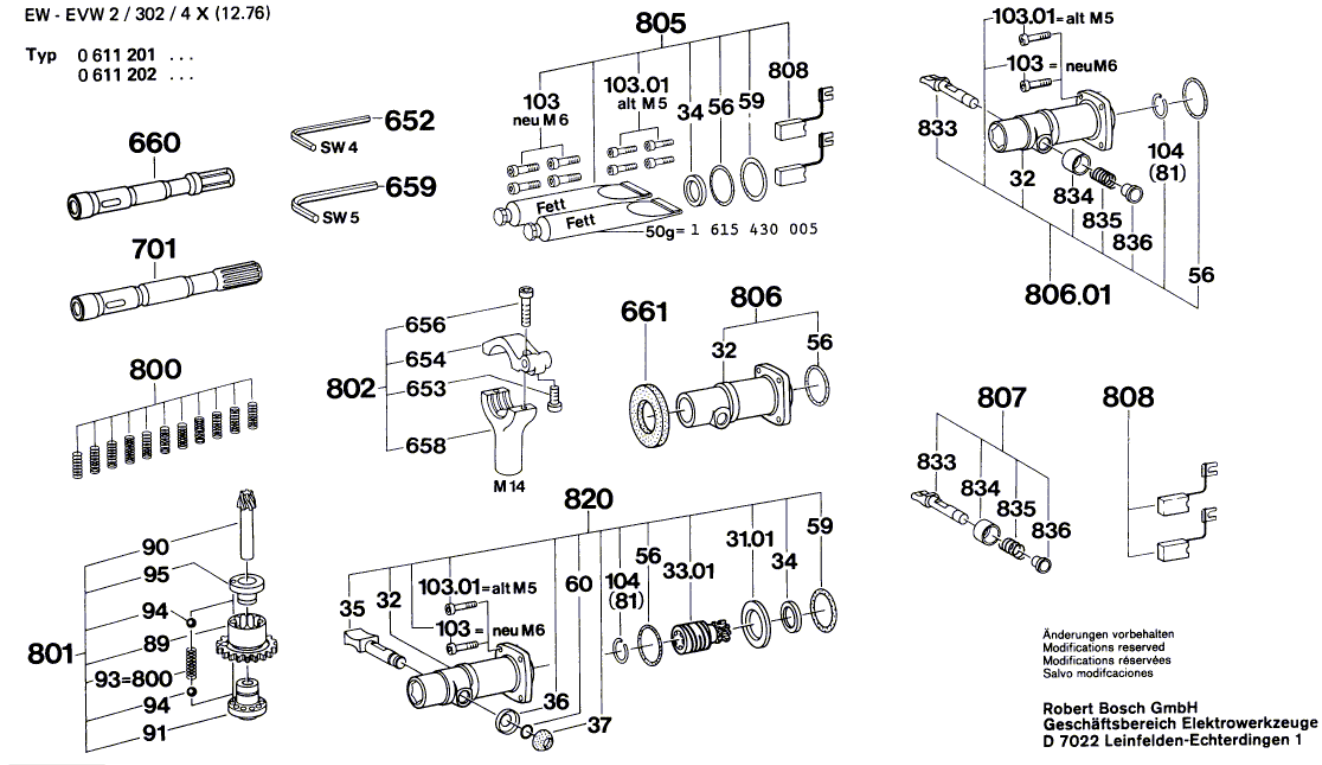


Illustration - Type - E

EW - EVW 2 / 302 / 4 X (12.76)

Typ 0 611 201 ...  
0 611 202 ...



Änderungen vorbehalten  
Modifications reserved  
Modificaciones reservadas  
Salvo modificaciones

Robert Bosch GmbH  
Geschäftsbereich Elektrowerkzeuge  
D 7022 Leinfelden-Echterdingen 1