



SERVICE PARTS LIST

1/4" DOUBLE INSULATED DRILL

Catalog No. 0805

Starting Serial No. **484-1151**

Specify Catalog and Serial No. when ordering parts

BUL. 54-08-0251

REVISED BUL. 54-08-0250 DATE Sept. '74

WIRING INSTRUCTIONS 58-01-0177

1800 R.P.M.

FOR 230V TOOL USE:
 18-46-1240 FIELD
 16-46-1425 ARMATURE
 22-16-0257 CARBON BRUSH
 22-64-2625 CORD SET

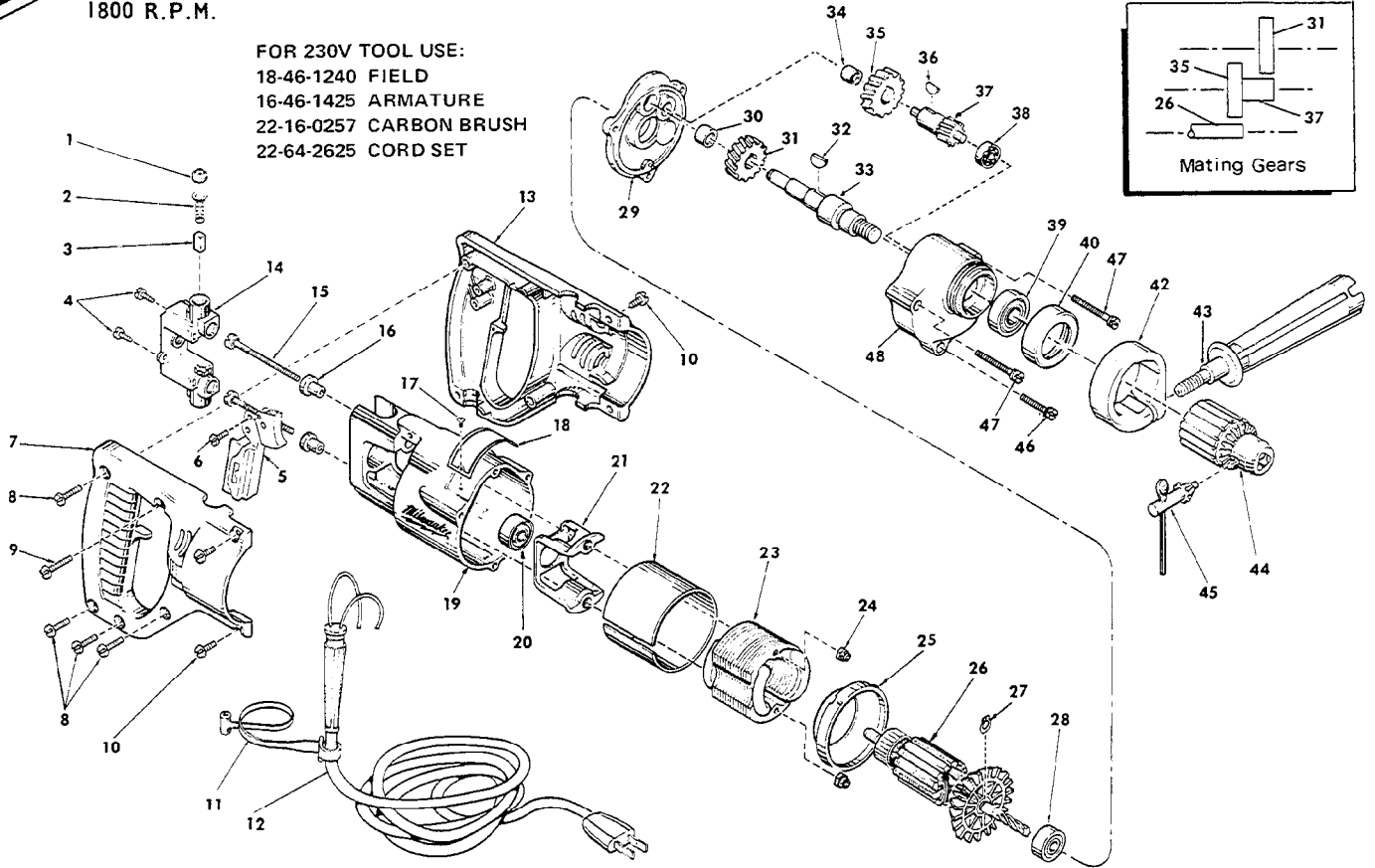


FIG.	PART NO.	DESCRIPTION OF PART	NO. REQ.	FIG.	PART NO.	DESCRIPTION OF PART	NO. REQ.
1	23-44-0120	Brush Retaining Screw	(2)	★ 26	16-42-1425	115 V. Armature (Incls. Fig. No. 27)	(1)
2	23-52-0160	Brush Spring	(2)	27	34-60-0700	Snap Ring	(1)
3	22-16-0250	Carbon Brush	(2)	28	02-04-0940	Ball Bearing	(1)
4	06-81-5475	6-32x3/8 Binding Hd. Sem	(2)	★ 29	28-28-0582	Diaphragm	(1)
5	23-66-0505	Switch	(1)	30	02-50-2110	Needle Bearing	(1)
6	06-81-5500	8-32x 3/8 Binding Hd. Sem	(2)	31	32-75-1921	Spindle Gear	(1)
7	31-44-0370	R.H. Half D Handle	(1)	32	06-42-1200	Woodruff Key	(1)
8	06-81-0400	8-32x3/4 Pan Hd. Screw	(4)	33	38-50-2551	Spindle	(1)
9	06-81-0470	8-32x1 Pan Hd. Screw	(1)	34	02-50-1640	Needle Bearing	(1)
10	06-81-0045	8-32x1/2 Pan Hd. Screw	(4)	35	32-40-1241	Intermediate Gear	(1)
11	48-66-4080	Key Holder	(1)	36	06-42-0800	Woodruff Key	(1)
12	22-64-0625	Cord Set	(1)	37	36-66-2501	Intermediate Shaft	(1)
13	31-44-0380	L.H. Half D Handle	(1)	38	02-04-0640	Ball Bearing	(1)
14	22-22-0300	Brush Holder Assembly	(1)	39	02-04-1560	Ball Bearing	(1)
15	06-81-1050	8-32x2-7/16 Field Bolt	(2)	40	42-52-0071	Bearing Cap	(1)
16	31-86-0120	Insulating Spacer	(2)	41	49-15-0200	Side Handle Assy. (Includes Fig. Nos. 42 & 43)	(1)
17	06-85-0200	6x1/4 Rd. Hd. Type Z Screw	(2)	42	28-82-0130	Handle Ring	(1)
18	12-99-0037	Nameplate	(1)	★ 43	43-62-0550	Side Handle	(1)
★ 19	28-50-6147	Motor Housing	(1)	44	48-66-0300	1/4" Chuck (Includes Fig. 45)	(1)
★ 20	02-04-0891	Ball Bearing	(1)	45	48-66-3200	Chuck Key	(1)
★ 21	31-55-0080	Coil Shield	(1)	46	06-81-6400	8-32x1-1/8 Fil. Hd. Sem	(1)
★ 22	23-16-0455	Field Insulator	(1)	47	06-81-6705	8-32x1-7/8 Fil. Hd. Sem	(2)
★ 23	18-42-1240	115 V. F field	(1)	48	28-14-0681	Gear Case	(1)
★ 24	06-57-2975	8-32 Flexlock Hex Nut	(2)	★ 49	12-98-7081	Caution Plate (Not Shown)	(1)
★ 25	31-05-0050	Baffle	(1)				