



SERVICE PARTS LIST

BUL. 54-08-0402

5/16" ELECTRIC DRILL

REVISED BUL
54-08-0402

DATE
Feb.'70

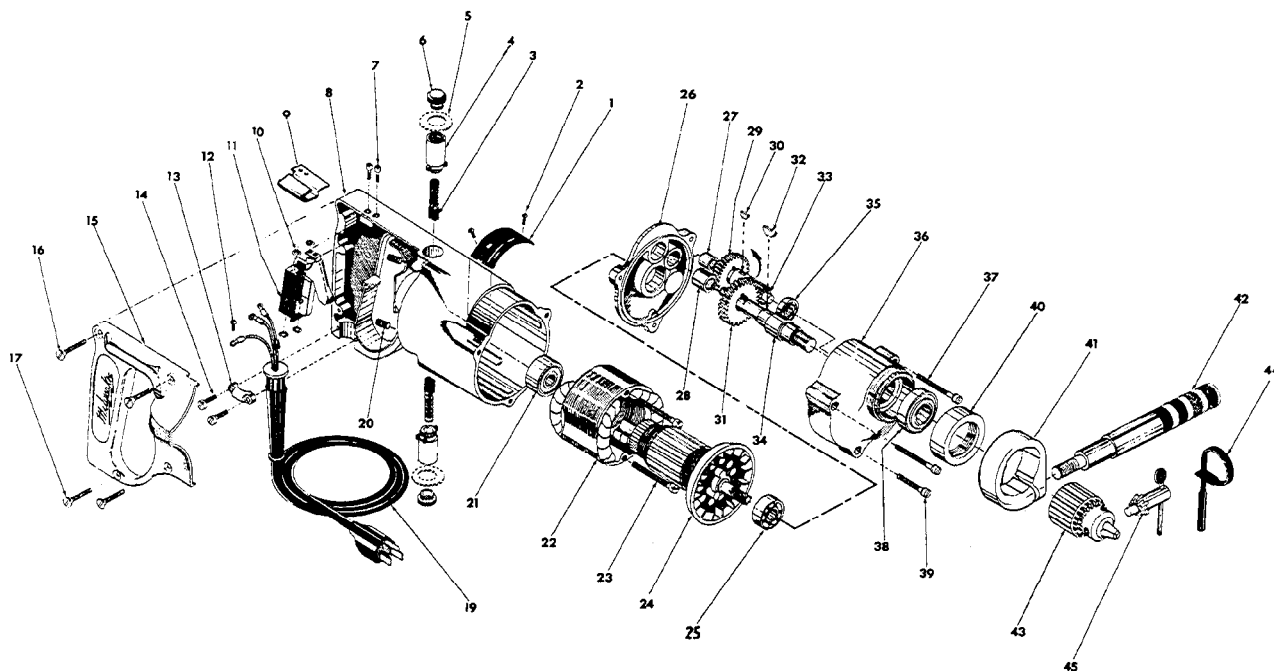
Catalog No. 0850

Starting
Serial No. 12-3593

WIRING INSTR.

58-01-0170

Both Model and Serial No. must be furnished to obtain correct parts.



| FIG. | PART NO. | DESCRIPTION OF PART | NO.REQ. | FIG. | PART NO. | DESCRIPTION OF PART | NO.REQ. |
|------|----------|---------------------|---------|------|----------|---------------------|---------|
| | 1 | 12-98-0800 | | | 24 | 16-42-1040 | |
| ★ | 2 | 06-77-0625 | (2) | | 25 | 02-04-0940 | |
| | 3 | 22-18-0100 | (2) | | 26 | 28-28-0581 | |
| | 4 | 22-22-0080 | (2) | | 27 | 02-50-1640 | |
| | 5 | 23-86-0110 | (2) | | 28 | 02-50-2110 | |
| | 6 | 23-44-0060 | (2) | | 29 | 32-40-1241 | |
| | 7 | 06-81-5800 | (2) | | 30 | 06-42-0800 | |
| | 8 | 28-50-4481 | | | 31 | 32-75-1921 | |
| ★ | 9 | 42-68-0225 | | | 32 | 06-42-1200 | |
| | 10 | 06-97-1800 | (4) | | 33 | 36-66-2501 | |
| | 11 | 23-66-0230 | | | 34 | 38-50-2551 | |
| | 12 | 06-81-8625 | | | 35 | 02-04-0640 | |
| | 13 | 28-17-0400 | | | 36 | 28-14-0681 | |
| | 14 | 06-81-6150 | (2) | | 37 | 06-81-6650 | (2) |
| ★ | 15 | 28-20-3601 | | | 38 | 02-04-1560 | |
| | 16 | 06-81-3750 | (2) | | 39 | 06-81-6350 | |
| | 17 | 06-81-3700 | (2) | | 40 | 42-52-0071 | |
| | 19 | 22-64-0170 | | ★ | 41 | 28-82-0130 | |
| | 20 | 06-83-2650 | (2) | | 42 | 43-62-0160 | |
| | 21 | 02-04-0970 | | | 43 | 48-66-0540 | |
| ★ | 22 | 18-42-1040 | | | 44 | 48-66-4040 | |
| | 23 | 06-81-6600 | (2) | | 45 | 48-66-3240 | |