



SERVICE PARTS LIST

BUL. 54-08-0610

3/8" DRILL

REVISED BUL. DATE
Feb. '73

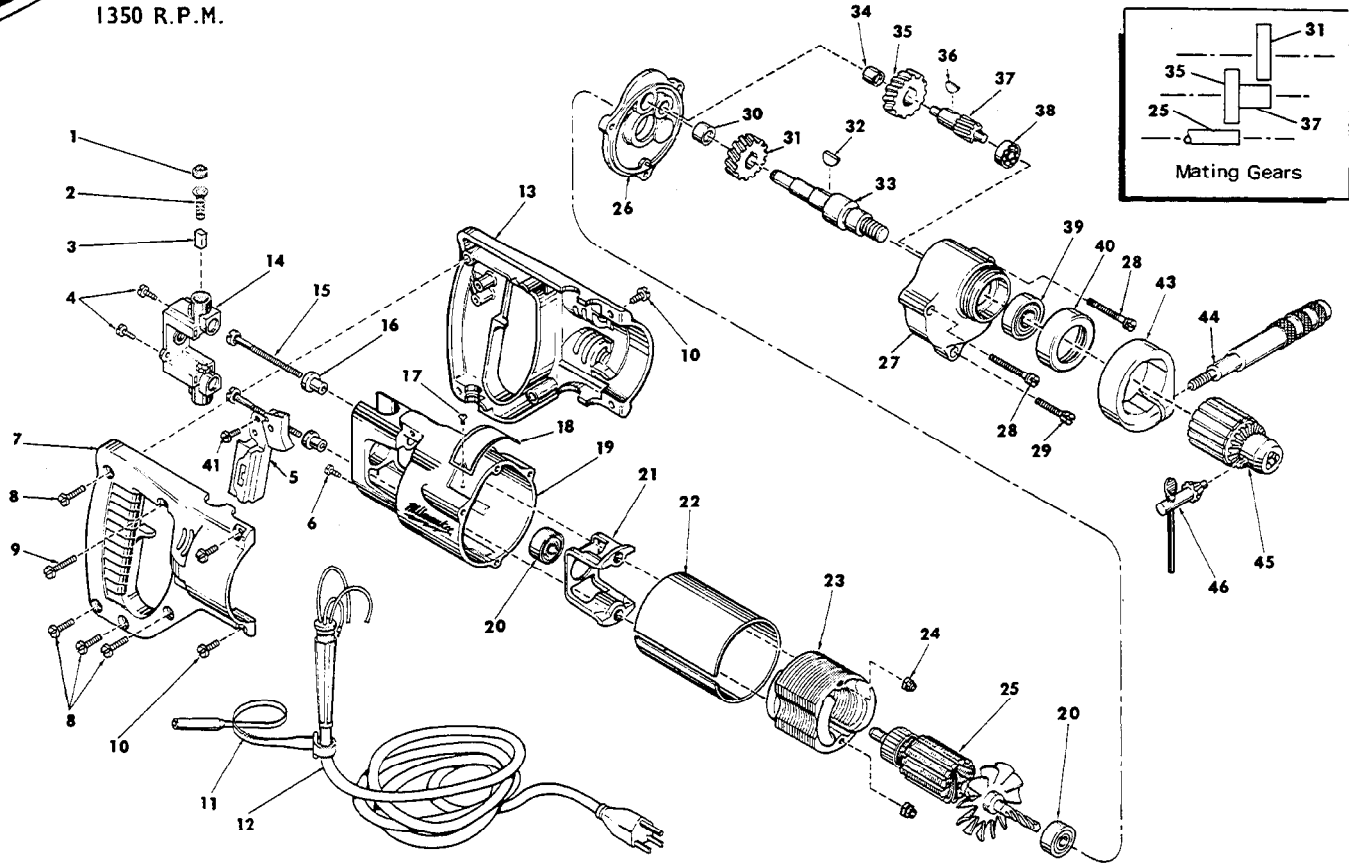
Catalog No. 0871

Starting Serial No. **486-1001**

WIRING INSTRUCTIONS
58-01-0175

Specify Catalog and Serial No. when ordering parts

1350 R.P.M.



| FIG. | PART NO. | DESCRIPTION OF PART | NO. REQ. | FIG. | PART NO. | DESCRIPTION OF PART | NO. REQ. |
|------|------------|----------------------------|----------|------|------------|---|----------|
| 1 | 23-44-0120 | Brush Retaining Screw | (2) | 25 | 16-42-1400 | 115 V. Armature | (1) |
| 2 | 23-52-0160 | Brush Spring | (2) | 26 | 28-28-0581 | Diaphragm | (1) |
| 3 | 22-16-0250 | Carbon Brush | (2) | 27 | 28-14-0681 | Gear Case | (1) |
| 4 | 06-81-5475 | 6-32x3/8 Binding Hd. Sem | (2) | 28 | 06-81-6705 | 8-32x1-7/8 Fil. Hd. Sem | (2) |
| 5 | 23-66-0505 | Switch | (1) | 29 | 06-81-6400 | 8-32x1-1/8 Fil. Hd. Sem | (1) |
| 6 | 06-81-8625 | 6-32x1/4 Ground Screw | (1) | 30 | 02-50-2110 | Needle Bearing | (1) |
| 7 | 31-44-0370 | R.H. Half D Handle | (1) | 31 | 32-75-1941 | Spindle Gear | (1) |
| 8 | 06-81-0400 | 8-32x3/4 Pan Hd. Screw | (4) | 32 | 06-42-1200 | Woodruff Key | (1) |
| 9 | 06-81-0470 | 8-32x1 Pan Hd. Screw | (1) | 33 | 38-50-2551 | Spindle | (1) |
| 10 | 06-81-0045 | 8-32x1/2 Pan Hd. Screw | (4) | 34 | 02-50-1640 | Needle Bearing | (1) |
| 11 | 48-66-4040 | Key Holder | (1) | 35 | 32-40-1241 | Intermediate Gear | (1) |
| 12 | 22-64-0385 | Cord Set | (1) | 36 | 06-42-0800 | Woodruff Key | (1) |
| 13 | 31-44-0380 | L.H. Half D Handle | (1) | 37 | 36-66-2551 | Intermediate Shaft | (1) |
| 14 | 22-22-0300 | Brush Holder Assembly | (1) | 38 | 02-04-0640 | Ball Bearing | (1) |
| 15 | 06-81-1050 | 8-32x2-7/16 Field Bolt | (2) | 39 | 02-04-1560 | Ball Bearing | (1) |
| 16 | 31-86-0120 | Insulating Spacer | (2) | 40 | 42-52-0071 | Bearing Cap | (1) |
| 17 | 06-85-0200 | 6x1/4 Rd. Hd. Type Z Screw | (2) | 41 | 06-81-5500 | 8-32 x 3/8 Binding Hd. Sem | (2) |
| 18 | 12-99-0030 | Nameplate | (1) | 42 | 49-15-0200 | Side Handle Assy. (Includes Fig. Nos. 43 & 44) | (1) |
| 19 | 28-50-6141 | Motor Housing | (2) | 43 | 28-82-0130 | Handle Ring | (1) |
| 20 | 02-04-0940 | Ball Bearing | (1) | 44 | 43-62-0160 | Side Handle | (1) |
| 21 | 31-55-0080 | Coil Shield | (1) | 45 | 48-66-0840 | 3/8" Chuck (Includes Fig. 46) | (1) |
| 22 | 23-16-0435 | Field Insulator | (1) | 46 | 48-66-3280 | Chuck Key | (1) |
| 23 | 18-42-1200 | 115 V. Field | (1) | | | | |
| 24 | 06-57-2975 | 8-32 Flexlock Hex Nut | (2) | | | | |