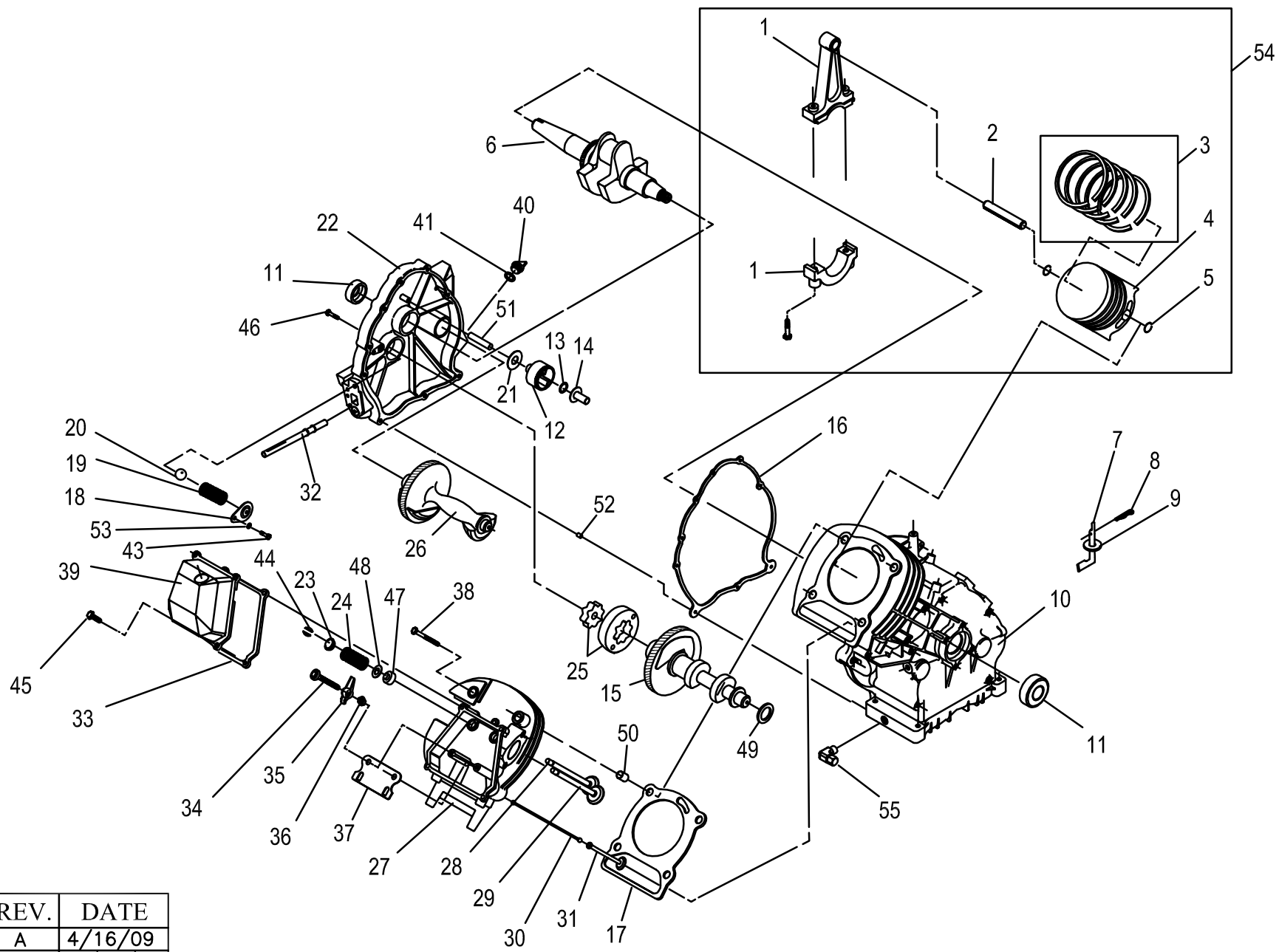


PART NO. 0H3593

54, 1, 2, 3, 4, 5

ITEM	PART #	QTY.	DESCRIPTION
1	0E3221	1	ASSEMBLY, CONNECTING ROD
2	0E1466	1	PIN, PISTON D20
3	0G2565	1	RING SET, PISTON Ø90
4	0G2751	1	PISTON, FLAT TOP Ø90 COATED
5	071983	2	RETAINER, PISTON PIN 20
6	0E8440	1	ASSEMBLY, CRANKSHAFT GH410 SMALL TAPER
7	0A7628	1	ARM, GOVERNOR RC45
8	0H9038	1	PIN COTTER "R". .059 X 1/4 X 1-1/8
9	078659	2	WASHER, GOVERNOR ARM THRUST
10	0H0165C	1	CRANKCASE, SUBASSEMBLY WITH PLUGS GH410
11	0E3812	2	SEAL, 35 I.D. CRANKSHAFT
12	0E6519	1	ASSEMBLY, GOVERNOR GEAR
13	078645	1	C-RING, GOVERNOR GEAR RETAINER
14	0A7811	1	SPOOL, GOVERNOR- MACHINE
15	0A9877	1	CAMSHAFT ASSEMBLY
16	076701	1	GASKET, CRANKCASE
17	021713B	1	GASKET, HEAD 410
18	078691	1	COVER, OIL PRESSURE RELIEF
19	0A5771	1	SPRING, OIL RELIEF 360
20	0A5776	1	BALL, DIA 11/32 PRESSURE RELIEF
21	076361	1	WASHER, THRUST GOVERNOR GEAR
22	0G4233A	1	ASSEMBLY, COVER, GEARTOP CHECK / FILL
23	0D2274	2	RETAINER, VALVE SPRING
24	0C4391	2	VALVE SPRING LF
25	086025	1	SET, GEROTOR 12 THK
26	0E3341	1	BALANCER
27	0G6791A	1	ASSEMBLY, CYLINDER HEAD SEATS & GUIDES
28	086516	1	VALVE, EXHAUST
29	086517	1	VALVE, INTAKE
30	0D9853B	2	PUSH ROD 174.9
31	083887	2	TAPPET
32	077158	1	ASSEMBLY, SCREEN OIL PICK-UP
33	0C3150	1	GASKET, ROCKER COVER 410
34	072694	2	STUD, D20 PIVOT BALL
35	083907	2	ROCKER ARM
36	0D3998	2	NUT, JAM (ROCKER ARM)
37	078694	1	PLATE, PUSH ROD GUIDE
38	021742	4	SCREW, HHFL M10-1.5 X 105
39	0D6094	1	ASSEMBLY, ROCKER COVER BREATHER OHVI
40	076329A	1	PLUG, OIL FILL PLASTIC, ORANGE
41	0E0057	1	O-RING 17.8 I.D. x 2.4
43	045770	1	SCREW HHC M5 -0.8 X 10 C8.8
44	086515	4	KEEPER, VALVE SPRING
45	0G0919	4	SCREW HHFC M6-1 X 12
46	0A1442	8	SCREW, HHFC M8-1.25 X 42
47	078672	1	SEAL, VALVE STEM D7
48	089673	2	WASHER, VALVE SPRING
49	0B2104	1	WASHER, LARGE SPRING
50	078699C	2	SLEEVE, DOWEL PIN 14 DIA.
51	0A7627	1	SHAFT, GOVERNOR RC55
52	078699B	2	SLEEVE, DOWEL PIN 12 DIA.
53	0G5792	1	WASHER LOCK M5 RIBBED
54	0D9241H	1	ASSY PISTON PIN/CONNECTING ROD HC GH410
55	0H1007	1	DRAIN FITTING ASSY-XP PORTABLE



E.C.O.	REV.	DATE
-	A	4/16/09
H-4632	B	06/16/09
H-4850	C	08/06/09
H-5935	D	02/02/10
H-6139	E	03/22/10
H-6709	F	05/18/10
H-7516	G	9/22/10
H-8857	H	5/2/11
H-9032	J	5/25/11
H-9063	K	5/31/11

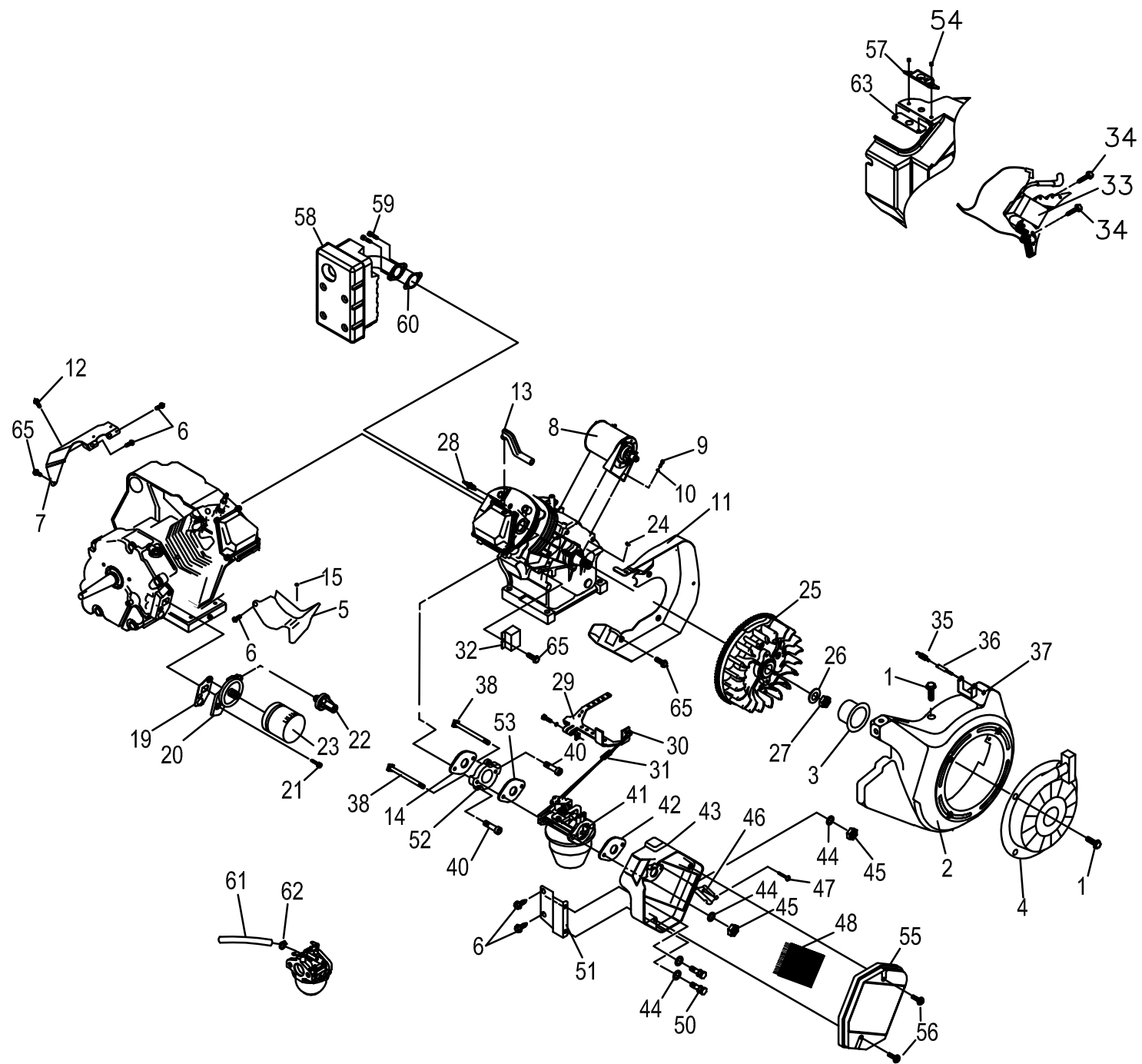
DO NOT SCALE

GROUP D

REFERENCE ENGINE P/N 0H3593
PAGE 1 OF 2

EXPLODED VIEW:		EV ENGINE 410-P		GENERAC POWER SYSTEMS	
DRAWN BY:	DLARSEN	DATE:	4/16/09	P.O. BOX 8 WAUKESHA, WIS. 53186	
CHECKED BY:	DREW SCHILL	DATE:	04/23/09	FIRST USE:	005605-1
APPROVED BY:	PETE WINNIE	DATE:	04/24/09	PART NO.:	0H3593
RELEASED FOR PRODUCTION BY:	PETE WINNIE	DATE:	04/24/09	REV.:	K

PART NO. 0H3593



ITEM	PART #	QTY.	DESCRIPTION	ITEM	PART #	QTY.	DESCRIPTION
1	0C1069	9	SCREW HHTT M6-1.0 X 8 ZYC	56	078609	2	BOLT, AIR CLEANER COVER
2	0D2922	1	ASSEMBLY, BLOWER HOUSING	57	0G9 688	1	BRACKET, CHOKE CABLE
3	0E9521	1	PULLEY STARTER LARGE FRAME	58	0E5223A	1	MUFFLER, 410 SIDE-OUT ALUMINIZED
4	0E9483	1	RECOIL STARTER LARGE FRAME	59	0G3 730	2	SCREW, SHC M8-1.25 X 20 SEMS
5	088434	1	WRAPPER, BOTTOM 12 HP HS	60	090239	1	GASKET, EXHAUST
6	045756	4	SCREW HHTT M6-1.0 X 10 YELLOW CHROME	61	0F9 176J	1	HOSE, 1/4" SAE30R7 SETIFLEX 13"
7	0C4176 A	1	WRAPPER, TOP REGULAR STEEL	62	040173	1	CLAMP, HOSE WORM GEAR
8	0D9004 A	1	ASSEMBLY, STARTER 46	63	0H086 6	1	BACK PLATE
9	081990	2	SCREW SHC M8-1.25 X 40	65	0E1552	6	SCREW HHFC M6-1.0 X 12
10	022129	2	WASHER, LOCK M8-5/16				* = NOT SHOWN IN EV
11	073116 A	1	BACKPLATE, W/ ELECTRIC START				
12	0G796 7	1	SCREW, HHTT 5/16 - 18 X 1/2" CLEAR				
13	0D7199 A	1	HOSE, BREATHER GH 410 ENGINES				
14	091039	1	GASKET, INTAKE ADAPTER				
15	022717 B	1	GROMMET 9/16 X 1/16 X 7/16				
16	087858 N	1	ASSEMBLY, WIRE #0-4.5" LONG (NOT SHOWN)				
17							
19	0 86999	1	GASKET, OIL FILTER ADAPTER				
20	0D5667 A	1	ADAPTER OIL FILTER W/TAPD HOLES				
21	0 49821	2	SCREW, SHC M8-1.25 X 30 G12.9				
22	0H1315	1	SWITCH, HOBBS OIL PRESSURE 5 PSI				
23	070185 D	1	FILTER, OIL BLACK 75 LONG				
24	0 82774	1	KEY, WOODRUFF 4 X 19D				
25	091222 C	1	FLYWHEEL, WITH RING GEAR 27 DEGREE				
26	067198 N	1	WASHER, BELV-20 X 2.2				
27	0 67890	1	NUT HEX M20-1.5 G8 YLW CHROME- FLYWHEEL				
28	0E7585	1	SPARK PLUG, CHAMPION RC14YC				
29	0 72734	1	ASSEMBLY, GOVERNOR LEVER 12 HP				
30	0 72735	1	ROD, GOVERNOR CONTROL				
31	0C3978	1	SPRING, ANTI-LASH				
32	087221 G	1	OIL PRESSURE SHUTDOWN MODULE				
33	0G9241 T	1	ASSEMBLY, IGNITION ADV NO DIODE GH410				
34	0 80318	2	SCREW HHFC M6-1.0 X 25				
35	0 73100	1	SPRING GOVERNOR 320/360/410				
36	0 83502	1	BOLT, GOVERNOR ADJUSTMENT M5				
37	0 82025	1	NUT, HEX LOCK M5-0.8 NYLON INSERT ZINC				
38	0 81647	2	BOLT, CARBURETOR MOUNTING				
40	0H8227	2	FLANGE HEAD SCREW, SHC M6-1.0 X 20 G 8.8 ZP				
41	0G9594	1	CARBURETOR ASSEMBLY, 410HS				
42	0 90970	1	GASKET, AIR CLEANER				
43	0G563 0D	1	BASE, AIR CLEANER 410 HI FLOW XP PORT				
44	0 49811	4	WASHER, FLAT M6				
45	0B2236	2	NUT, HEX LOCK M6-1.0 NYLON INSERT				
46	0 91204	1	PLATE, SPITBACK				
47	0 59635	1	SCREW, PLASTITE #8 X .37 LONG				
48	0 73111	1	ELEMENT, AIR FILTER				
50	0 79246	2	SCREW, HHC M6-1.0 X 16 W/ LOCK WASHER				
51	0 90827	1	BRACKET, AIR CLEANER				
52	0 91028	1	ADAPTER, "K"				
53	0 89228	1	GASKET, CARBURETOR MANIFOLD				
54	0G986 0	2	RIVET, 1/8"				
55	073104 B	1	COVER, AIR CLEANER 13GN				

E.C.O.	REV.	DATE
-	A	4/16/09
H-4632	B	06/16/09
H-4850	C	08/06/09
H-5935	D	02/02/10
H-6139	E	03/22/10
H-6709	F	05/18/10
H-7516	G	9/22/10
H-8857	H	5/2/11
H-9032	J	5/26/11
H-9063	K	5/31/11

DO NOT SCALE

GROUP D

REFERENCE ENGINE P/N 0H3593
PAGE 2 OF 2

EXPLODED VIEW:		EV ENGINE 410-P		GENERAC POWER SYSTEMS	
DRAWN BY:	DLARSEN	DATE:	4/16/09	P.O. BOX 8 WAUKESHA, WIS. 53186	
CHECKED BY:	DREW SCHILL	DATE:	04/23/09	FIRST USE:	005605-1
APPROVED BY:	PETE WINNIE	DATE:	04/24/09	PART NO.:	0H3593
RELEASED FOR PRODUCTION BY:	PETE WINNIE	DATE:	04/24/09	REV.:	K