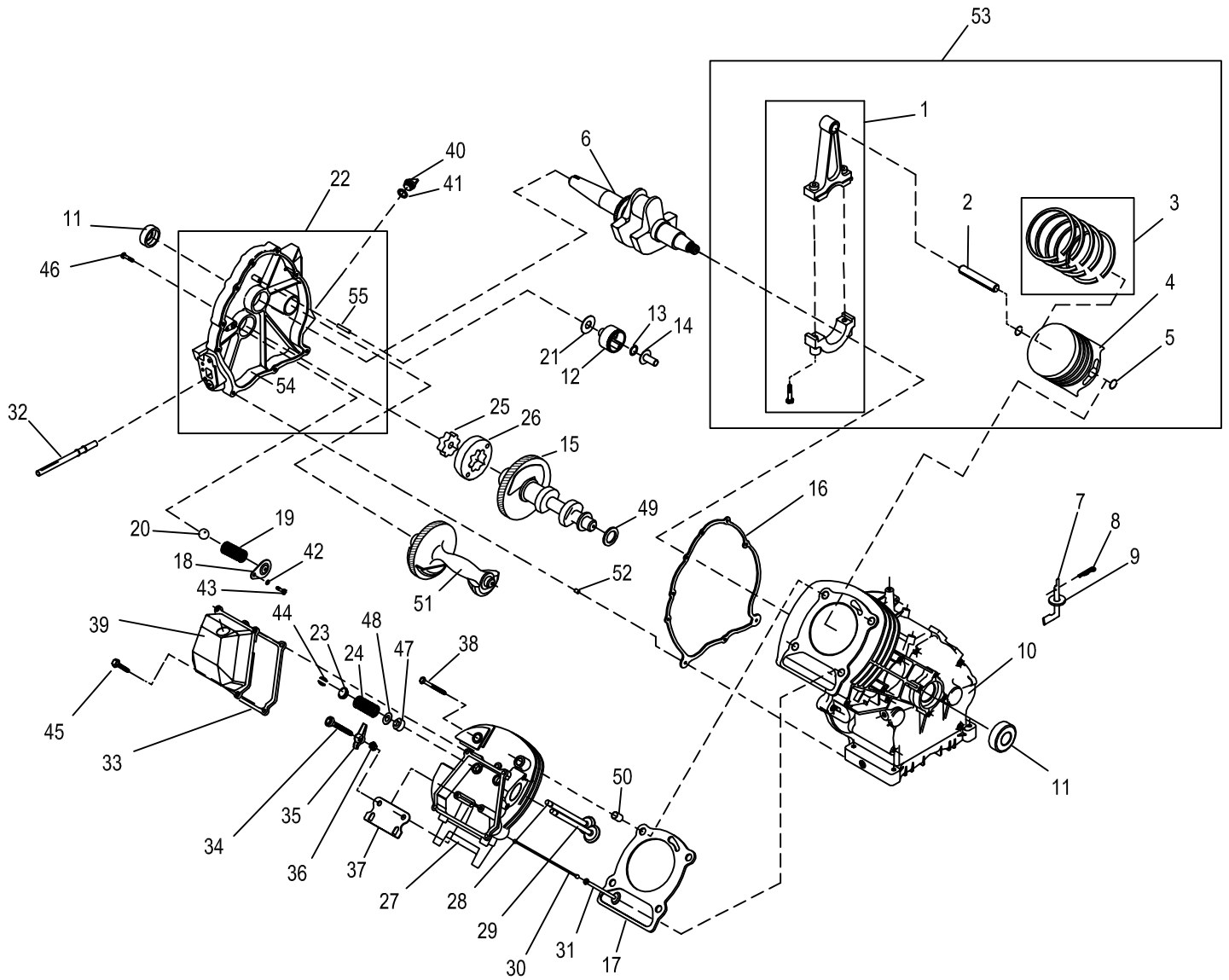


GROUP D

22	54, 55, 56, 57, 58
53	1, 2, 3, 4, 5



EXPLODED VIEW: EV XG 50Hz 410 LONGBLOCK

DRAWING #: 0J9158

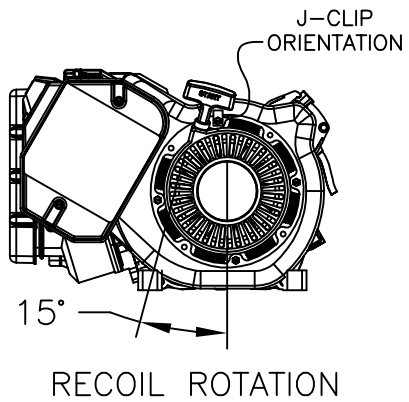
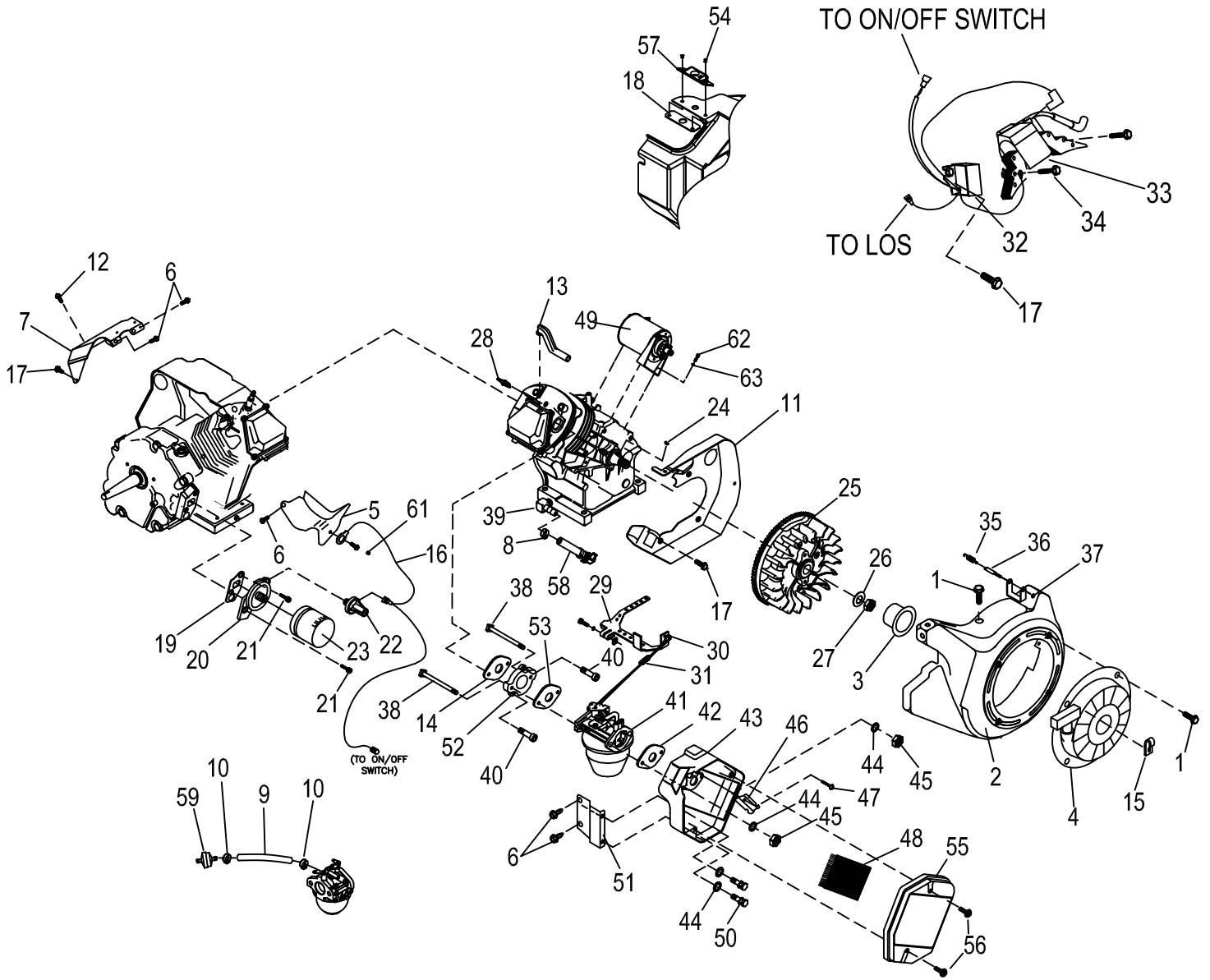
GROUP D

APPLICABLE TO: 006221-0

ITEM	PART #	QTY.	DESCRIPTION
1	0E3221	1	ASSEMBLY, CONNECTING ROD
2	0E1466	1	PIN, PISTON D20
3	0G2565	1	RING SET, PISTON Ø90
4	0K0988	1	PISTON FLAT TOP 90 HSB 2013
5	071983	2	RETAINER, PISTON PIN 20
6	0A9995	1	CRANKSHAFT SAE PTO TAPER LF
7	0A7628	1	ARM, GOVERNOR RC45
8	0H9038	1	PIN COTTER "R" .059 X 1/4 X 1-1/8
9	078659	2	WASHER, GOVERNOR ARM THRUST
10	0H0165C	1	CRANKCASE, SUBASSEMBLY WITH PLUGS GH410
11	0E3812	2	SEAL, 35 I.D. CRANKSHAFT
12	0E6519	1	ASSEMBLY, GOVERNOR GEAR
13	078645	1	C-RING, GOVERNOR GEAR RETAINER
14	0A7811	1	SPOOL, GOVERNOR- MACHINE
15	0A9877	1	CAMSHAFT ASSEMBLY
16	076701	1	GASKET , CRANKCASE
17	021713B	1	GASKET, HEAD 410
18	078691	1	COVER, OIL PRESSURE RELIEF
19	0A5771	1	SPRING, OIL RELIEF 360
20	0A5776	1	BALL, DIA 11/32 PRESSURE RELIEF
21	076361	1	WASHER, THRUST GOVERNOR GEAR
22	0G4233A	1	ASSEMBLY, COVER
23	0D2274	2	RETAINER, VALVE SPRING
24	0C4391	2	VALVE SPRING LF
25	086026	1	GEROTOR, INNER 12 THK
26	086002	1	GEROTOR, OUTER 12 THK
27	0G6791A	1	ASSEMBLY,CYLINDER HEAD SEATS & GUIDES
28	086516	1	VALVE, EXHAUST
29	086517	1	VALVE, INTAKE
30	0D9853B	2	PUSH ROD 174.9
31	083897	2	TAPPET
32	077158	1	ASSEMBLY, SCREEN OIL PICK-UP
33	0C3150	1	GASKET, ROCKER COVER 410
34	072694	2	STUD, D20 PIVOT BALL
35	083907	2	ROCKER ARM
36	0D3998	2	NUT, JAM M8 (ROCKER ARM)
37	078694	1	PLATE, PUSH ROD GUIDE
38	021742	4	SCREW, HHFL M10-1.5 X 105
39	0D6094	1	ASSEMBLY, ROCKER COVER OHV1
40	076329A	1	PLUG, OIL FILL PLASTIC ORANGE
41	0E0057	1	O-RING 11/16 - 7/8
42	0G5792	1	WASHER, LOCK M5
43	045770	1	SCREW HHC M5-0.8 X 10 C8.8
44	086515	4	KEEPER, VALVE SPRING
45	0G0919	4	SCREW HHFCS M6-1 X 12 G8.8
46	0A1442	8	SCREW, HHFC M8-1.25 X 42
47	078672	1	SEAL, VALVE STEM D7
48	089673	2	WASHER, VALVE SPRING
49	0B2104	1	WASHER, LARGE WAVE
50	078699C	2	SLEEVE, DOWEL PIN 14 DIA.
51	0E3341	1	BALANCER
52	078699B	2	SLEEVE, DOWEL PIN 12 DIA.
53	0K1633	1	ASSY PISTON FLAT TOP GT999
54	0G1843A	1	GEARCOVER, MACHINED
55	0A7627	1	SHAFT, GOVERNOR
*56	076353B	1	PLUG, 6.5 DIA.
*57	076353C	1	PLUG, 8.4 DIA.
*58	083921	1	SHAFT, BEARING TUBE

* NOT SHOWN IN EV

GROUP D



EXPLODED VIEW: EV XG 50Hz 410 LONGBLOCK
 DRAWING #: 0J9158

GROUP D

APPLICABLE TO: 006221-0

ITEM	PART #	QTY.	DESCRIPTION
1	0C 1069	9	SCREW HHTT M6-1.0 X 8 ZYC
2	0D 2922	1	ASSEMBLY, BLOWER HOUSING
3	0E9 521	1	PULLEY STARTER LARGE FRAME
4	0E9 483	1	RECOIL STARTER LARGE FRAME
5	08843 4	1	WRAPPER, BOTTOM 12 HP HS
6	04575 6	5	SCREW HHTT M6-1.0 X 10 YELLOW CHROME
7	0C 4176A	1	WRAPPER, TOP REGULAR STEEL
8	0G36 62B	1	CLAMP, HOSE OETIKER STPLSS 18.5
9	0H34 55A	1	FUEL HOSE, 250 MM LONG
10	04 8031G	2	CLAMP HOSE BAND 41
11	07311 6A	1	BACKPLATE
12	0G7967	1	SCREW, HHTT 5/16-18 X 1/2" CLEAR
13	0D 7199A	1	HOSE, BREATHER GH410 ENGINES
14	09103 9	1	GASKET, INTAKE ADAPTER
15	08212 1C	1	CLIP-J, VINYL COAT
16	0H 4218	1	WIRE HARNESS, 410 ENGINE SWITCH WIRING
17	0E 1552	6	SCREW HHFC M6-1.0 X 12
18	0H08 66	1	BACK PLATE
19	08699 9	1	GASKET, OIL FILTER ADAPTER
20	0D 5667A	1	ADAPTER, OIL FILTER
21	04982 1	2	SCREW, SHC M8-1.25 X 30 G1 29
22	0H 1315	1	SWITCH, HOBBS OIL PRESSURE 5PSI
23	07018 5B	1	FILTER, OIL BLACK 75 LONG
24	08277 4	1	KEY, WOODRUFF 4 X 19 D
25	09122 2C	1	FLYWHEEL, RING GEAR 27 DEG
26	06719 8N	1	WASHER, BELV-20 X 2.2
27	06789 0	1	NUT HEX M2.0-1.5 G8 YLW CHROME- FLYWHEEL
28	0E7 585	1	SPARKPLUG, CHAMPION RC14YC 0.030"
29	07273 4	1	ASSEMBLY, GOVERNOR LEVER 12HP
30	07273 5	1	ROD, GOVERNOR CONTROL
31	0C 3978	1	SPRING, ANTI-LASH
32	087221 G	1	OIL PRESSURE SHUTDOWN MODULE
33	0 G924 1T	1	ASSEMBLY, IGNITION ADV NO DIODE GH410
34	08031 8	2	SCREW HHFC M6-1.0 X 25 G8.8
35	07310 0B	1	SPRING GOVERNOR 50HZ
36	08350 2	1	BOLT, GOVERNOR ADJUSTMENT M5
37	08202 5	1	NUT, HEX LOCK M5-0.8 NYLON INSERT ZINC
38	08164 7	2	BOLT, CARBURETOR MOUNTING
39	04379 0A	1	BARBED ELBOW 90 DEG 3/8" NPT X 3/8"
40	0H 8227	2	FLANGE HEAD SCREW, SHC M6-1.0 X 20 G8.8ZP
41	0G9594	1	CARBURETOR ASSEMBLY, 410 HS
42	09097 0	1	GASKET, AIR CLEANER
43	0G 5630D	1	BASE, AIR CLEANER 410 XP PORT
44	04981 1	4	WASHER, FLAT M6
45	0B 2236	2	NUT, HEX LOCK M6-1.0 NYLON INSERT
46	09120 4	1	PLATE, SPITBACK
47	0K 0784	1	SCREW HWHTF 8-18 x 0.5 HI-LOW
48	07311 1	1	ELEMENT, AIR FILTER
49	0D9 004A	1	STARTER, ASSEMBLY
50	07924 6	2	SCREW, HHC M6-1.0 X 16 W/ LOCK WASHER
51	09082 7	1	BRACKET, AIR CLEANER
52	09102 8	1	ADAPTER, "K"
53	08922 8	1	GASKET, CARBURETOR/MANIFOLD
54	0G9860	2	RIVET, 1/8"
55	07310 4B	1	COVER, AIR CLEANER 13GN
56	078609	2	BOLT, AIR CLEANER COVER
57	0G9 688	1	BRACKET, CHOKE CABLE
58	0H81 31B	1	ASSY OIL DRAIN HOSE, 6" LONG ORANGE
59	0D63 13	1	FUEL FILTER
61	022717B	1	GROMMET
62	081990	2	SCREW SHC M8-1.25 X 40 C8.8
63	022129	2	WASHER, LOCK M8-5/16