

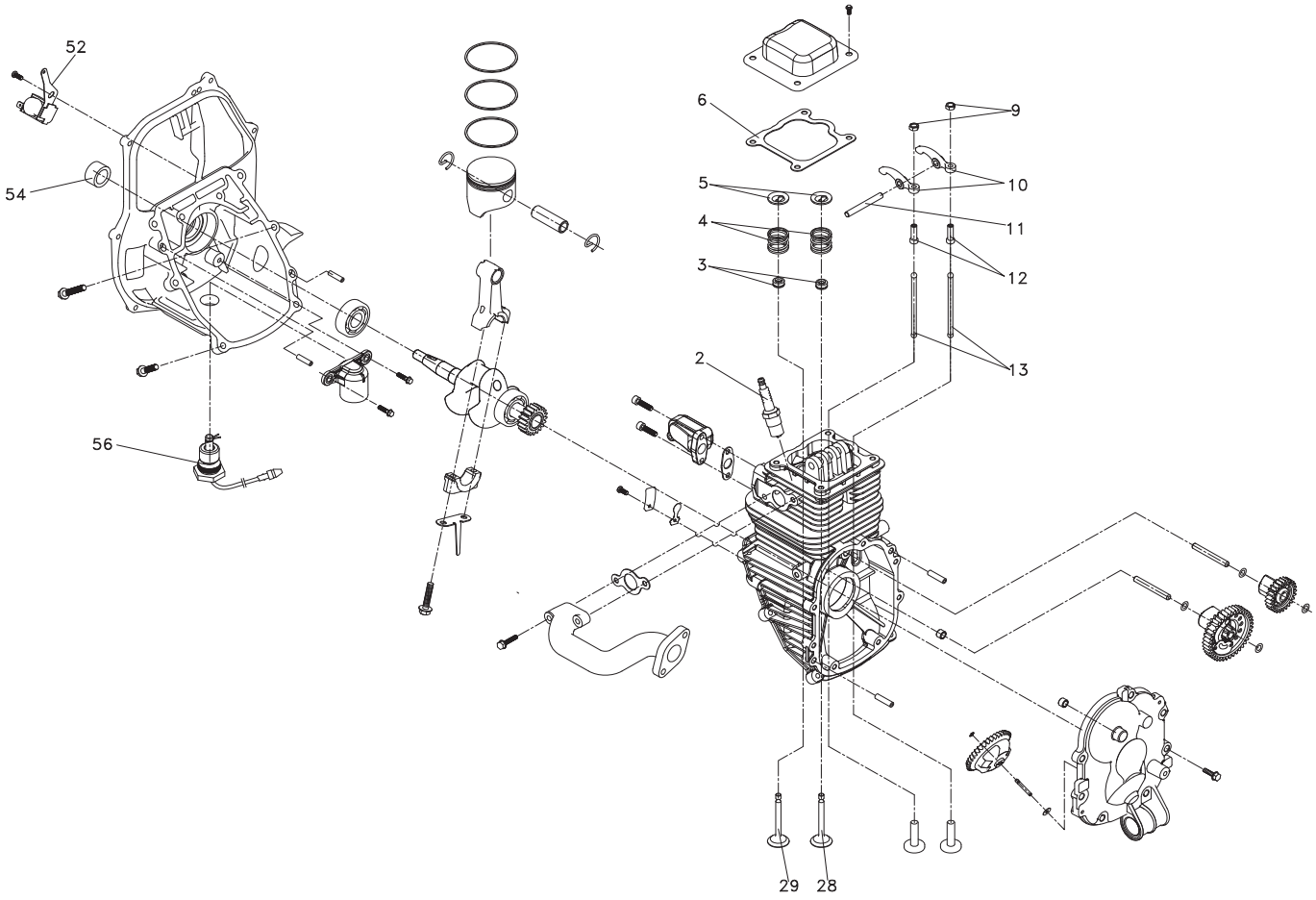


Engine Parts Manual

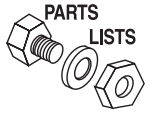
80cc (G28)

NOTICE!

The information in this manual is known to be accurate as of the date of release shown on the cover. However, engineering changes can occur without notice. To obtain the proper parts, please be sure to use the serial number of the unit being serviced when ordering from this manual. Always refer to any parts notes and changes before ordering. All other parts not shown in this manual can be found on Generac's exploded view drawings online on GENservice at www.generac.com.



99cc Engine



Item	Part #	Qty	Description
2	OK20920111	1	Plug, Spark
3	OK20930112	2	Ring, Valve Seal
4	OK20930113	2	Spring, Valve
5	OK20930114	2	Retainer, Valve Spring
6	OK20930115	1	Gasket, Head Cover
9	OK20930118	2	Nut, Adjusting
10	OK20930119	2	Arm, Valve Rocker
11	OK20930120	1	Pin, Valve Rocker
12	OK20930121	2	Screw, Adjusting
13	OK20930122	2	Push-Rod
28	OK20930135	1	Valve, Intake
29	OK20930136	1	Valve, Exhaust
52	0H43470285	1	Coil Assy., Trigger
54	OK20930154	1	Seal, Oil Crankshaft
56	0H56810193	1	Sensor Assy., Oil