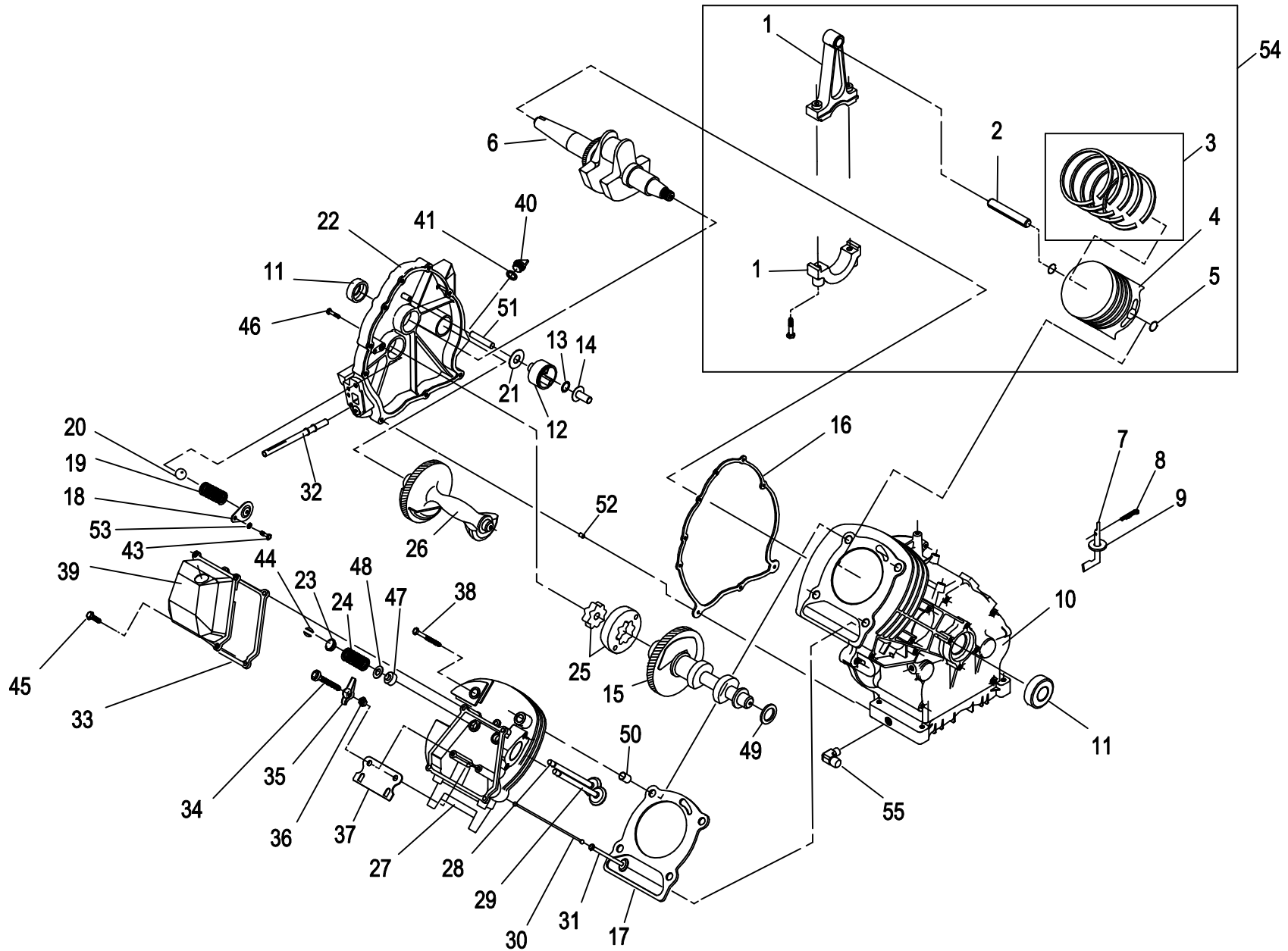


# GROUP D



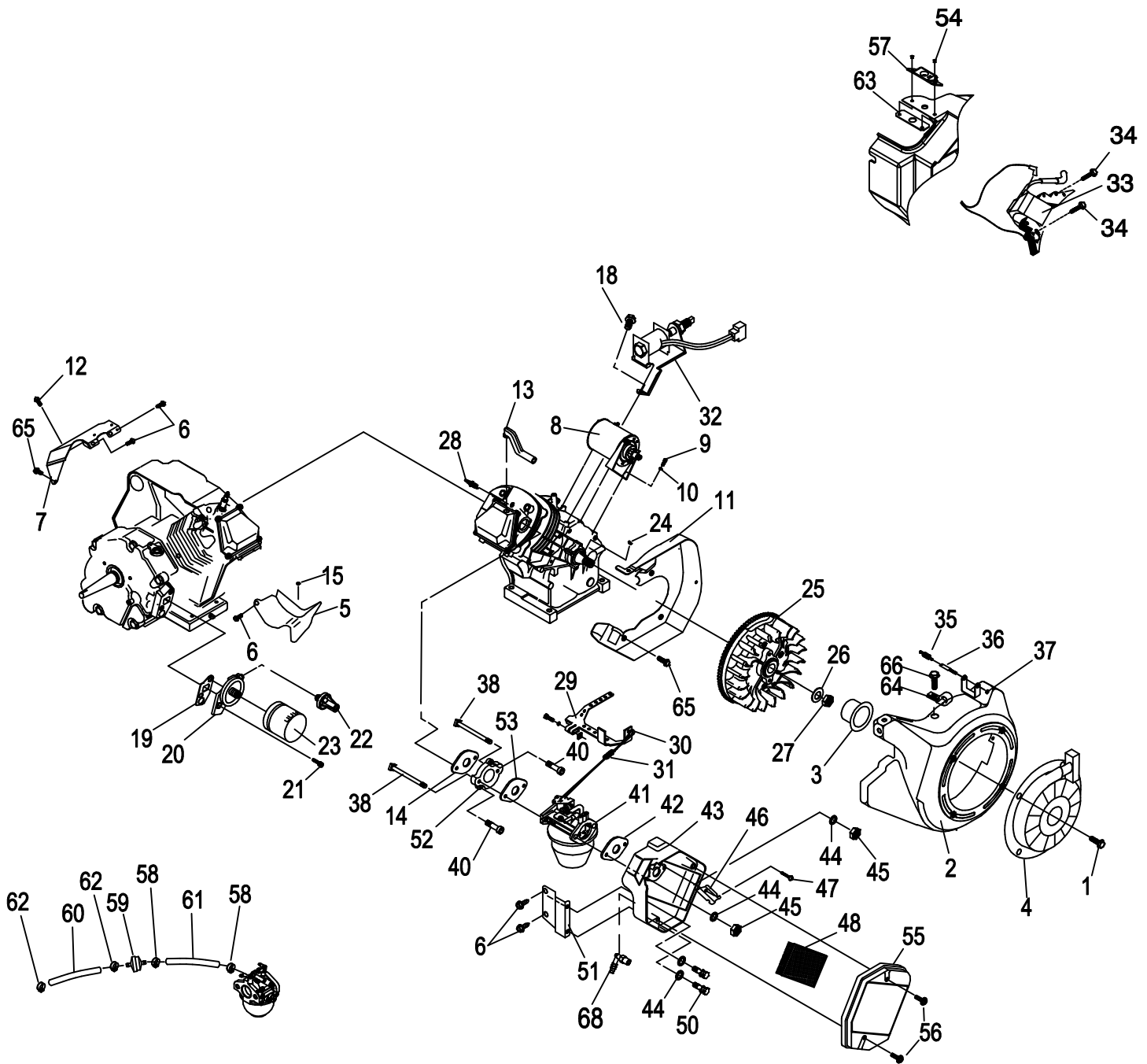
EXPLODED VIEW: EV 2011 410 XP ENGINE  
 DRAWING #: 0K5131

GROUP D

APPLICABLE TO: 2010 410 XP ENGINE

ITEM	PART #	QTY.	DESCRIPTION
1	0E3221	1	ASSEMBLY, CONNECTING ROD
2	0E1466	1	PIN, PISTON D20
3	0G2565	1	RING SET, PISTON Ø90
4	0K0988	1	PISTON FLAT TOP 90 HSB 2013
5	071983	2	RETAINER, PISTON PIN 20
6	0G9809	1	ASSY CRANK SHAFT 410 SAE TAPER
7	0A7628	1	ARM, GOVERNOR RC45
8	078658	1	PIN, "R" GOVERNOR ARM
9	078659	2	WASHER, GOVERNOR ARM THRUST
10	0H0165C	1	CRANKCASE, SUBASSEMBLY WITH PLUGS GH410
11	0E3812	2	SEAL, 35 I.D. CRANKSHAFT
12	0E6519	1	ASSEMBLY, GOVERNOR GEAR
13	078645	1	C-RING, GOVERNOR GEAR RETAINER
14	0A7811	1	SPOOL, GOVERNOR- MACHINE
15	0K5111	1	CAMSHAFT ASSEMBLY
16	076701	1	GASKET, CRANKCASE
17	021713B	1	GASKET, HEAD 410
18	078691	1	COVER, OIL PRESSURE RELIEF
19	0A5771	1	SPRING, OIL RELIEF 360
20	0A5776	1	BALL, DIA 11/32 PRESSURE RELIEF
21	076361	1	WASHER, THRUST GOVERNOR GEAR
22	0G4233A	1	ASSEMBLY, COVER, GEAR TOP CHECK / FILL
23	0D2274	2	RETAINER, VALVE SPRING
24	0K0733	2	VALVE SPRING
25	086025	1	SET, GEROTOR 12 THK
26	0E3341	1	BALANCER
27	0G6791A	1	ASSEMBLY, CYLINDER HEAD SEATS & GUIDES
28	086516	1	VALVE, EXHAUST
29	086517	1	VALVE, INTAKE
30	0D9853B	2	PUSH ROD 174.9
31	083897	2	TAPPET
32	077158	1	ASSEMBLY, SCREEN OIL PICK-UP
33	0C3150	1	GASKET, ROCKER COVER 410
34	072694	2	STUD, D20 PIVOT BALL
35	083907	2	ROCKER ARM
36	0D3998	2	NUT, JAM (ROCKER ARM)
37	078694	1	PLATE, PUSH ROD GUIDE
38	021742	4	SCREW, HHFL M10-1.5 X 105
39	0D6094	1	ASSEMBLY, ROCKER COVER BREATHER OHVI
40	076329A	1	PLUG, OIL FILL PLASTIC, ORANGE
41	0E0057	1	O-RING 17.8 I.D. x 2.4
43	045770	1	SCREW HHC M5 - 0.8 X 10 C8.8
44	086515	4	KEEPER, VALVE SPRING
45	0G0919	4	SCREW HHFCS M6-1 X 12
46	0A1442	8	SCREW, HHFC M8-1.25 X 42
47	078672	1	SEAL, VALVE STEM D7
48	089673	2	WASHER, VALVE SPRING
49	0B2104	1	WASHER, LARGE SPRING
50	078699C	2	SLEEVE, DOWEL PIN 14 DIA.
51	0A7627	1	SHAFT, GOVERNOR RC55
52	078699B	2	SLEEVE, DOWEL PIN 12 DIA.
53	0G5792	1	WASHER LOCK M5 RIBBED
54	0K1633	1	ASSY PISTON FLAT TOP GT999
55	043790A	1	BARBED EL 90 3/8NPT X 3/8

# GROUP D



EXPLODED VIEW:

EXPLODED VIEW: EV 2011 410 XP ENGINE  
 DRAWING #: 0K5131

GROUP D

APPLICABLE TO: 2011 410 XP ENGINE

ITEM	PART #	QTY.	DESCRIPTION	ITEM	PART #	QTY.	DESCRIPTION
1	0C1069	9	SCREW HHTT M6-1.0 X 8 ZYC				
2	0D2922	1	ASSEMBLY, BLOWER HOUSING				
3	0E9521	1	PULLEY STARTER LARGE FRAME				
4	0E9483	1	RECOIL STARTER LARGE FRAME				
5	088434	1	WRAPPER, BOTTOM 12 HP HS				
6	045756	4	SCREW HHTT M6-1.0 X 10 YELLOW CHROME				
7	0C4176A	1	WRAPPER, TOP REGULAR STEEL				
8	0D9004A	1	ASSEMBLY, STARTER 46				
9	081990	2	SCREW SHC M8-1.25 X 40				
10	022129	2	WASHER, LOCK M8-5/16				
11	073116A	1	BACKPLATE, W/ ELECTRIC START				
12	0G7967	1	SCREW, HHTT 5/16 - 18 X 1/2" CLEAR				
13	0D7199A	1	HOSE, BREATHER GH410 ENGINES				
14	091039	1	GASKET, INTAKE ADAPTER				
15	022717B	1	GROMMET 9/16 X 1/16 X 7/16				
16	087858N	1	ASSEMBLY, WIRE #0-4.5" LONG (NOT SHOWN)				
17							
18	083512	2	SCREW HHTT M8-1.2 X 16 YC				
19	086999	1	GASKET,OIL FILTER ADAPTER				
20	0D5667A	1	ADAPTER OIL FILTER W/TAPD HOLES				
21	049821	2	SCREW, SHC M8-1.25 X 30 G12.9				
22	0H1315	1	SWITCH, HOBBS OIL PRESSURE 5PSI				
23	070185B	1	FILTER, OIL BLACK 75 LONG, LOGO				
24	082774	1	KEY, WOODRFF 4 X 19D				
25	091222C	1	FLYWHEEL, WITH RING GEAR 27 DEGREE				
26	067198N	1	WASHER,BELV-20 X 2.2				
27	067890	1	NUT HEX M20-1.5 G8 YLW CHROME- FLYWHEEL				
28	0E7585	1	SPARKPLUG, CHAMPION RC14YC				
29	072734	1	ASSEMBLY,GOVERNOR LEVER 12HP				
30	072735	1	ROD, GOVERNOR CONTROL				
31	0C3978	1	SPRING, ANTI-LASH				
32	0C1503	1	IDLE COIL ASY,GOV LF				
33	0G9241T	1	ASSEMBLY, IGNITION ADV NO DIODE GH410				
34	080318	2	SCREW HHFC M6-1.0 X 25				
35	073100	1	SPRING GOVERNOR 320/360/410				
36	083502	1	BOLT, GOVERNOR ADJUSTMENT M5				
37	082025	1	NUT, HEX LOCK M5-0.8 NYLON INSERT ZINC				
38	081647	2	BOLT, CARBURETOR MOUNTING				
40	0H8227	2	FLANGE HEAD SCREW, SHC M6-1.0 X 20 G8.8ZP				
41	0G9594	1	CARBURETOR ASSEMBLY, 410HS				
42	090970	1	GASKET, AIR CLEANER				
43	0G5630D	1	BASE, AIR CLEANER 410 HI FLOW XP PORT				
44	049811	4	WASHER, FLAT M6				
45	0B2236	2	NUT, HEX LOCK M6-1.0 NYLON INSERT				
46	091204	1	PLATE, SPITBACK				
47	0K0784	1	SCREW HWHTF 8-18 X 0.5 HI-LOW				
48	073111	1	ELEMENT, AIR FILTER				
50	079246	2	SCREW, HHC M6-1.0 X 16 W/ LOCK WASHER				
51	090827	1	BRACKET, AIR CLEANER				
52	091028	1	ADAPTER, "K"				
53	089228	1	GASKET, CARBURETOR/MANIFOLD				
54	0G9860	2	RIVET, 1/8"				
55	073104B	1	COVER, AIR CLEANER 13GN				
56	078609	2	BOLT, AIR CLEANER COVER				
57	0G9688	1	BRACKET, CHOKE CABLE				
58	048031G	2	CLAMP, HOSE				
59	0D6313	1	FILTER, FUEL				
60	0H3455E	1	HOSE, FUEL, 105MM LONG				
61	0F9176J	1	HOSE,1/4" SAE30R7 SETIFLEX 13"				
62	048031C	2	CLAMP HOSE BAND .50				
63	0H0866	1	BACK PLATE				
64	0E3200	1	C-CLIP				
65	0E1552	5	SCREW HHFC M6-1.0 X 12				
66	045756	2	SCREW, HHTT M6-1.0 X 10 ZYC				
67	*0H9118	1	ENGINE HARNESS XP6.5 AND XP8.0				
68	0H1660	1	BARBED ELBOW				

\* = NOT SHOWN IN EV