



SERVICE PARTS LIST

BULLETIN NO.
54-08-1152

SPECIFY CATALOG NO. AND SERIAL NO. WHEN ORDERING PARTS			REVISED BULLETIN	DATE
1/2" REVERSING DRILL			54-08-1151	Dec. '94
CATALOG NO.	1001-1	STARTING SERIAL NO.	WIRING INSTRUCTION	
		491B	58-01-0773	

EXAMPLE:
Component Parts (Small #)
Are Included When Ordering
The Assembly (Large #).

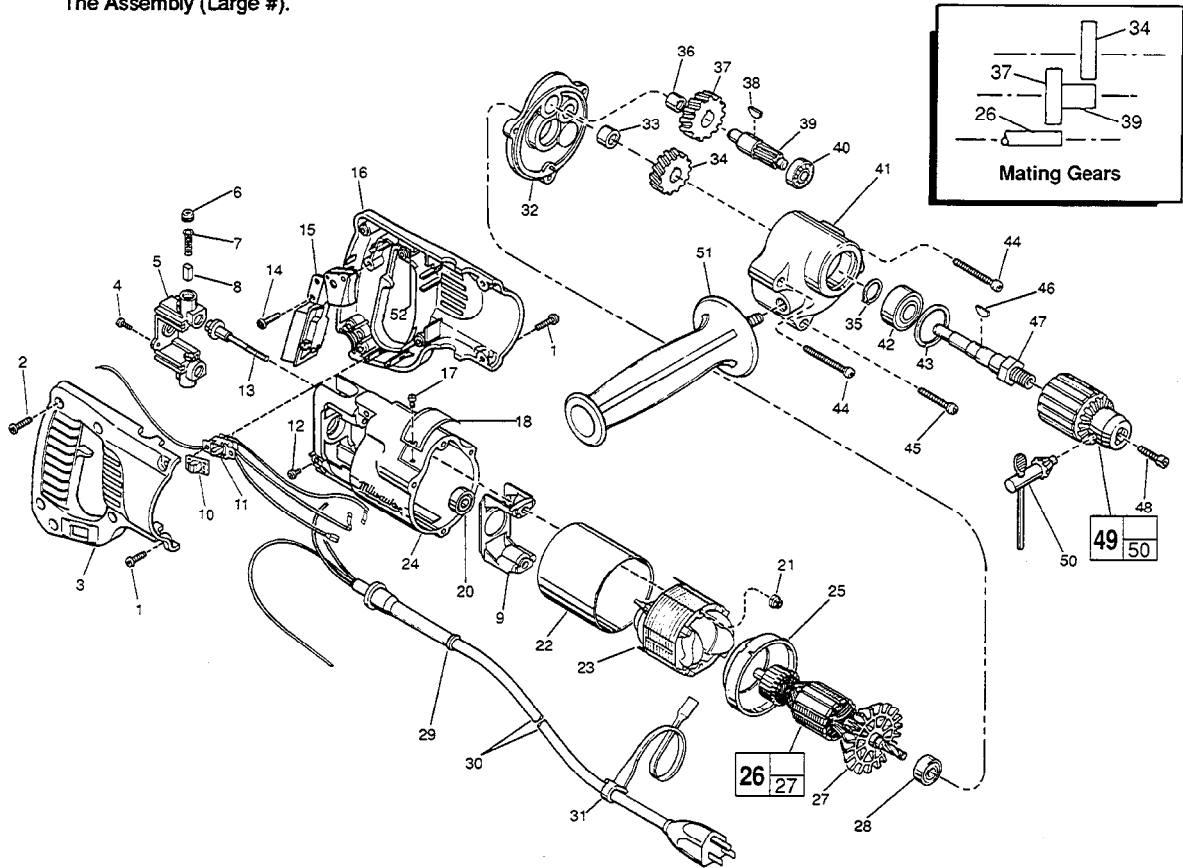


FIG.	PART NO.	DESCRIPTION OF PART	NO. REQ.	FIG.	PART NO.	DESCRIPTION OF PART	NO. REQ.
★	1	06-82-5316 8-32 x 1/2" Slit. Pan Hd. Taptite T-20	(4)	30	22-64-3190	Cord Set	(1)
★	2	06-82-7270 8-16 x 5/8" Slit. Pan Hd. Plastite T-20	(5)	31	48-66-4040	Key Holder	(1)
★	3	31-44-1651 Right Handle Half	(1)	32	28-28-0601	Diaphragm	(1)
★	4	06-95-0075 6-32 x 3/8" Truss Hd. Taptite T-10	(2)	33	02-50-2440	Needle Bearing	(1)
★	5	22-22-1380 Brush Holder Assembly	(1)	34	32-75-1601	Spindle Gear	(1)
★	6	23-44-0190 Brush Retaining Cap	(2)	35	34-60-1200	Retaining Ring	(1)
★	7	23-52-0160 Brush Spring	(2)	36	02-50-1640	Needle Bearing	(1)
★	8	22-16-0275 Carbon Brush	(2)	37	32-40-1241	Intermediate Gear	(1)
★	9	31-55-0190 Coil Shield	(1)	38	06-42-0800	Woodruff Key	(1)
★	10	31-12-0196 Switch Cap	(1)	39	36-66-2002	Intermediate Shaft	(1)
★	11	23-66-1868 Reversing Switch Assembly	(1)	40	02-04-0640	Ball Bearing	(1)
★	12	06-95-5150 6-32 x 1/4" Hex Hd. Taptite Sems	(1)	41	28-14-1910	Gear Case	(1)
★	13	06-81-1060 8-32 x 2-1/4" Field Bolt	(2)	42	02-04-1536	Ball Bearing	(1)
★	14	06-82-7270 8-16 x 5/8" Slit. Pan Hd. Plastite T-20	(1)	43	34-80-2500	Retaining Ring	(1)
★	15	23-66-0167 On-Off Switch	(1)	★ 44	06-82-5502	8-32 x 2-1/4" Slit. Pan Hd. Taptite T-20	(2)
★	16	31-44-1656 Left Handle Half	(1)	★ 45	06-82-5404	8-32 x 1-3/8" Slit. Pan Hd. Taptite T-20	(1)
★	17	06-72-1720 Nameplate Rivet	(2)	46	06-42-1600	Woodruff Key	(1)
★	18	12-99-1750 Service Nameplate	(1)	47	38-50-5470	Spindle	(1)
★	20	02-04-0845 Ball Bearing	(1)	48	06-75-3150	1/4-20 x 1" L.H. Skt. Cap Screw	(1)
★	21	06-57-2975 8-32 Flexlock Hex Nut	(2)	49	48-66-1360	1/2" Chuck	(1)
★	22	23-16-0456 Field Insulator	(1)	50	48-66-3280	Chuck Key	(1)
★	23	18-31-0200 120 Volt Field - Auto Assembly	(1)	51	43-62-0875	Side Handle	(1)
★	24	28-50-6220 Motor Housing	(1)	★ 52	14-46-1001	Foam Slug Kit-(10 Slugs)	(1)
★	25	31-05-0050 Baffle	(1)				
★	26	16-30-0325 120 Volt Armature	(1)				
★	27	22-84-0531 Fan Assembly	(1)				
★	28	02-04-0911 Ball Bearing	(1)				
★	29	44-76-0210 Cord Protector	(1)				

FIG. LUBRICATION

41 3-1/4 Oz. Type "A" Grease, 49-08-0800.

MILWAUKEE ELECTRIC TOOL CORPORATION
13135 W. LISBON RD., BROOKFIELD, WI 53005