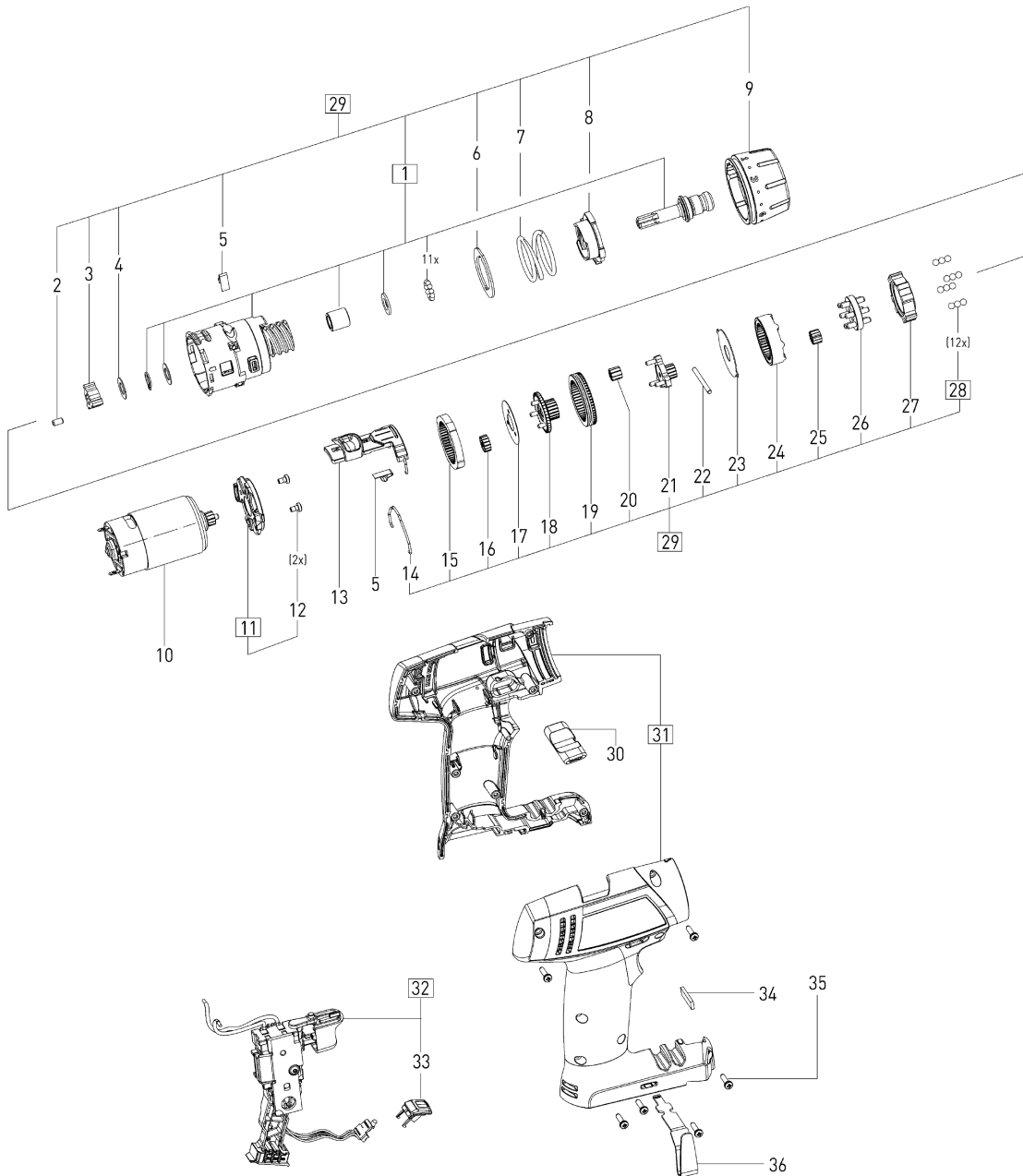


10011890 - TXS



Pos	Part No.	Description	Quantity
5	479011	Spring	2
9	478375	Adjusting ring	1
10	497615	Motor	1
11	500568	Motor mount	1
12	478441	Raised-head screw	2
13	10010544	Gear slide	1
29	499379	Gear	1
30	10008083	Despatcher	1
31	500570	Housing	1
32	500569	Switch modul	1
33	10008613	LED display	1
34	700404	Solenoid	1
35	228717	Raised-head screw 3,0 x 12 mm	7
36	10008764	Retaining bracket	1