



# SERVICE PARTS LIST

BULLETIN NO.  
54-08-1204

SPECIFY CATALOG NO. AND SERIAL NO. WHEN ORDERING PARTS		REVISED BULLETIN	DATE
1/2" REVERSING DRILL		54-08-1203	April '89
CATALOG NO.	1007-1	WIRING INSTRUCTION	
STARTING SERIAL NO.	628-31000	58-01-0283	



EXAMPLE:  
Component Parts ( Small # )  
Are Included When Ordering  
The Assembly ( Large # ).

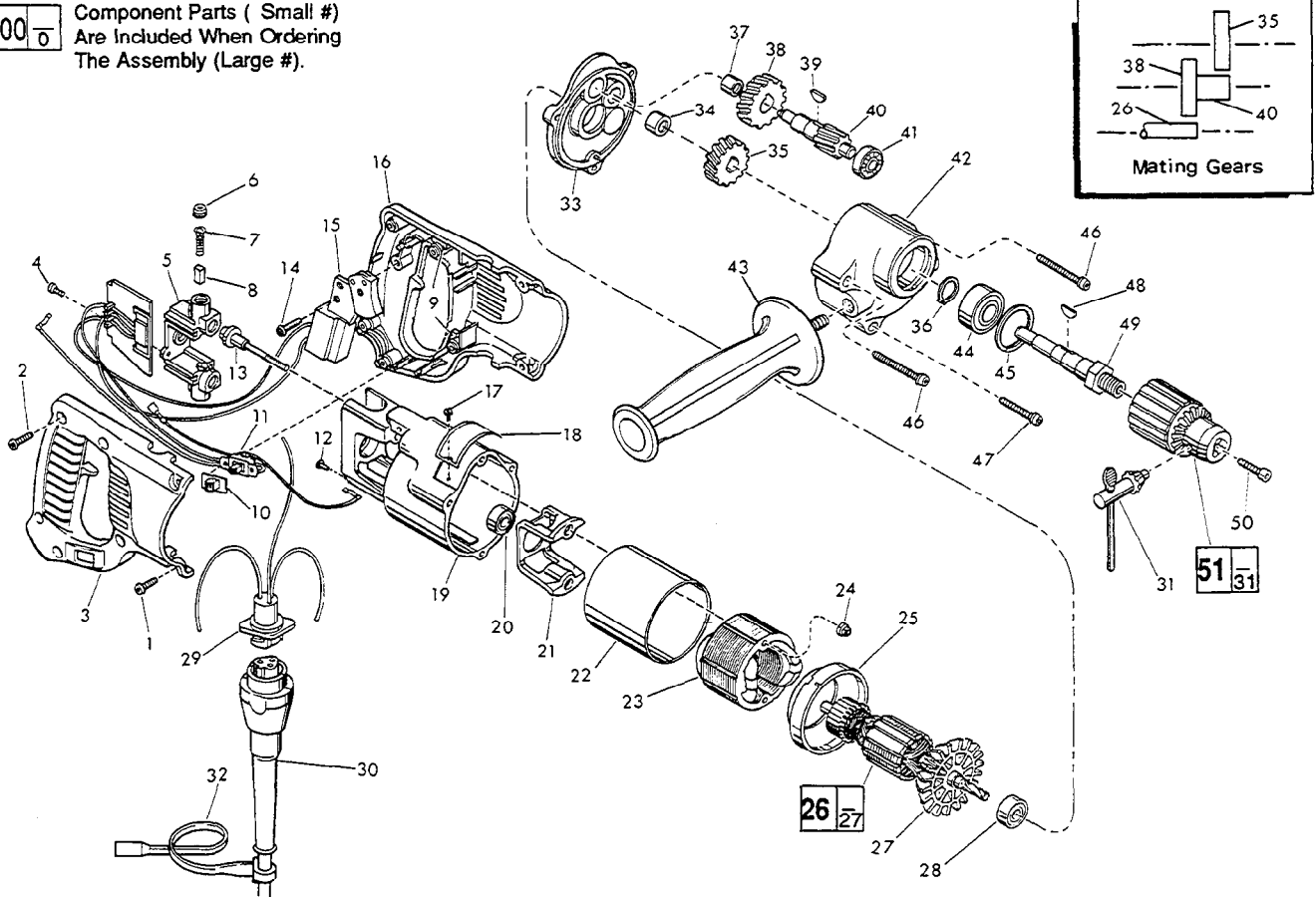


FIG.	PART NO.	DESCRIPTION OF PART	NO. REQ.
1	06-82-5316	8-32x1/2" Slot Pan Hd. Torx Screw	(4)
2	06-82-7260	7-18 x 5/8" Pan Hd. Plastite Torx Screw	(5)
3	31-44-1476	Right Handle Half	(1)
4	06-95-0075	6-32 x 3/8" Truss Hd. Taptite Screw	(2)
5	22-22-1330	Brush Holder Assembly	(1)
6	23-44-0190	Brush Retaining Cap	(2)
7	23-52-0160	Brush Spring	(2)
8	22-16-0275	Carbon Brush	(2)
★ 9	14-46-1001	Foam Slug Kit-10 Slugs	(2)
★ 10	31-12-0196	Switch Cap	(1)
★ 11	14-20-0355	Switch Assembly	(1)
12	06-95-5150	6-32 x 1/4" Hex Hd. Taptite Sems	(1)
13	06-81-1058	8-32 x 2.19 Field Bolt	(2)
14	06-82-7260	7-18 x 5/8" Pan Hd. Plastite Torx Screw	(1)
★ 15	23-66-1470	On-Off Switch	(1)
★ 16	31-44-1481	Left Handle Half	(1)
★ 17	06-85-0200	Nameplate Screw	(2)
★ 18	12-99-0530	Nameplate Blank	(1)
19	28-50-6201	Motor Housing	(1)
20	02-04-0845	Ball Bearing	(1)
21	31-55-0030	Coil Shield	(1)
22	23-16-0456	Field Insulator	(1)
23	18-30-0200	120 V. Field	(1)
24	06-57-2975	8-32 Flexlock Hex Nut	(2)
25	31-05-0050	Baffle	(1)
26	16-30-0325	120 V. Armature	(1)
27	22-84-0530	Fan Assembly	(1)
28	02-04-0911	Ball Bearing	(1)
★ 29	22-56-0541	Pin Housing Assy.	(1)
★ 30	48-76-4008	Cord Set	(1)

FIG.	PART NO.	DESCRIPTION OF PART	NO. REQ.
31	48-66-3280	Chuck Key	(1)
32	48-66-4040	Key Holder	(1)
★ 33	28-28-0601	Diaphragm	(1)
34	02-50-2440	Needle Bearing	(1)
35	32-75-1601	Spindle Gear	(1)
36	34-60-1200	Retaining Ring	(1)
37	02-50-1640	Needle Bearing	(1)
38	32-40-1241	Intermediate Gear	(1)
39	06-42-0800	Woodruff Key	(1)
40	36-66-2001	Intermediate Shaft	(1)
41	02-04-0640	Ball Bearing	(1)
42	28-14-1910	Gear Case	(1)
43	43-62-0875	Side Handle	(1)
44	02-04-1536	Ball Bearing	(1)
45	34-80-2500	Retaining Ring	(1)
46	06-82-5502	8-32 x 2-1/4" Pan Taptite Torx	(2)
47	06-82-5404	8-32 x 1-3/8" Pan Taptite Torx	(1)
48	06-42-1600	Woodruff Key	(1)
49	38-50-5470	Spindle	(1)
50	06-75-3150	1/4-20 x 1 L.H. Skt. Cap Screw	(1)
★ 51	48-66-1365	1/2" Chuck	(1)

LUBRICATION:  
42 3-1/4 Oz. Type "A" Grease, No. 49-08-0800.

MILWAUKEE ELECTRIC TOOL CORPORATION  
13135 W. LISBON RD., BROOKFIELD, WI 53005