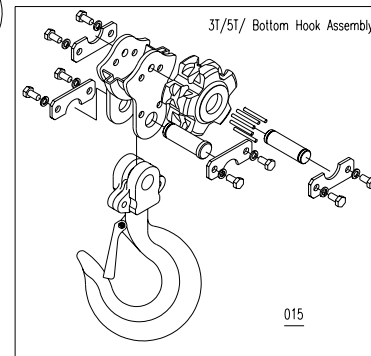
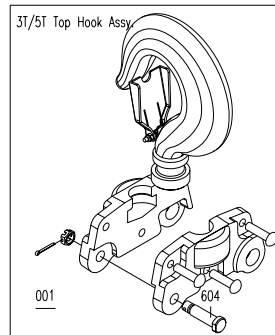
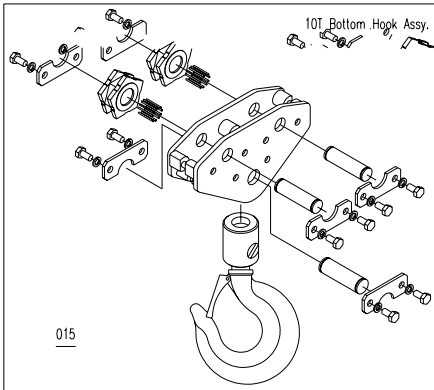
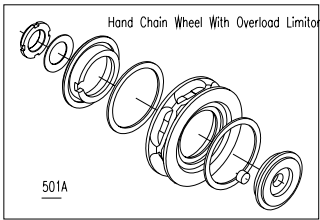
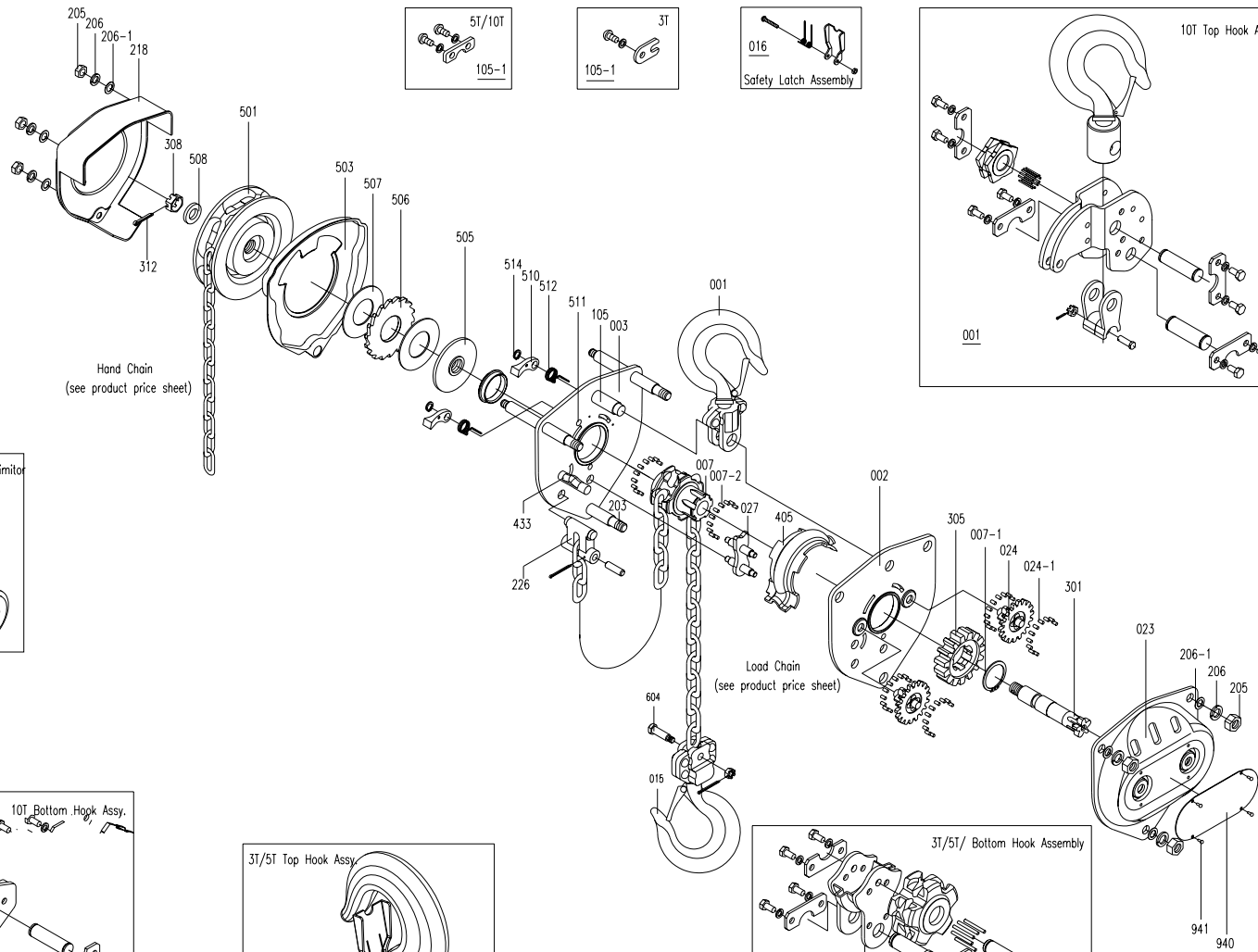
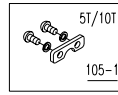
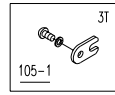
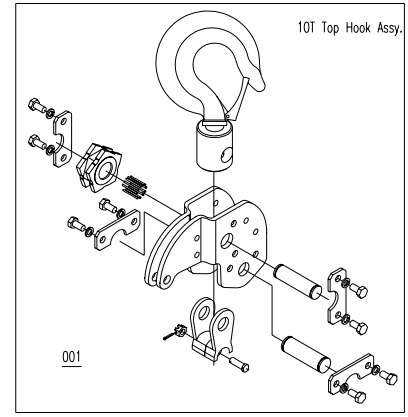


# Parts SMH Chain Hoist



## Parts List: 2-Ton SMH Chain Hoist

Index No.	Part No.	Description	Size	Qty
001	SMH-001D	Top Hook Assembly		1
002	SMH-002D	Gear Side Plate Assembly		1
003	SMH-003D	Wheel Side Plate Assembly		1
007	SMH-007D	Load Sheave		1
007-1	SMHX-007-1D	Snap Ring	38	1
007-2	SMH-007-2C	Roller Kit	60 Rollers	1
015	SMH-015D	Bottom Hook Assembly		1
016	SMH-016D	Safety Latch Assembly		2
023	SMH-023D	Gear Case Assembly		1
024	SMH-024D	Spur Gear Assembly		2
027	SMH-027C	Stripper Assembly		1
105	SMH-105D	Top Hook Pin		1
203	SMH-203D	Stay Bolt		3
205	SMH-205D	Cover Nut		6
206	SMH-206D	Lock Washer		6
206-1	SMH-206-1D	Flat Washer		6
218	SMH-218D	Hand Wheel Cover		1
226	SMH-226C	Anchor Plate		1
301	SMH-301D	Drive Shaft		1
305	SMH-305D	Load Gear		1
308	SMH-308B	Castle Nut		1
312	SMH-312B	Split Pin	3.2 x 25	1
405	SMH-405D	Load Sheave Cover		1
433	SMH-433C	Load Sheave Cover Pin		1
501	SMH-501D	Hand Chain Wheel		1
501A	SMHX-501D	Hand Chain Wheel Assembly (Overload Protection)		1
503	SMH-503D	Brake Cover		1
505	SMH-505D	Disc Hub		1
506	SMH-506C	Ratchet Gear		1
507	SMH-507C	Friction Disc		2
508	SMH-508B	Check Washer		1
510	SMH-510C	Pawl		2
511	SMH-511C	Pawl Pin		2
512	SMH-512B	Pawl Spring		2
514	SMH-514B	Snap Ring	8	1
604	SMH-604D	Chain Stop Bolt Assembly		1
940	SMH-940D	Name Plate	2 Ton	1
	SMHX-940D	Name Plate (Overload Protection)	2 Ton	1
941	SMH-941A	Rivet	2.5 x 6	4
942	187728	Hand Chain*	Ø 5mm	1
943	187723	Load Chain* (2-Ton)	Ø 8mm	1

\* Specify required chain length when ordering.